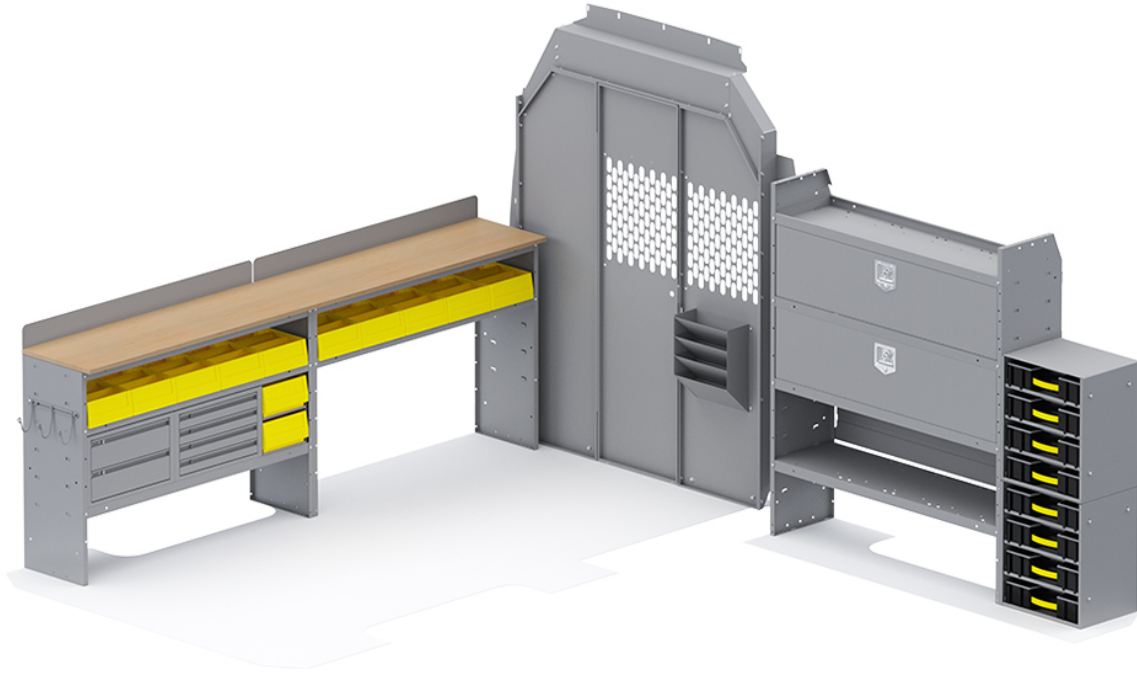


LOCKSMITH VAN PACKAGE - SPRINTER HIGH ROOF 144" WHEELBASE

Part # : 50SRH





CUSTOMIZE TO THE WAY YOU WORK

BUILT TO WORK LIKE YOU DO

Holman Van Interior Packages take the guess work out of where to begin uplifting your cargo van. With our strong easily adjustable shelving, partitions and accessories, our van packages have everything you need to put your van to work. Our professional designers and product engineers have created customized van packages for specific service categories to help you easily outfit a van based on input from experienced industry tradesmen.

- **Strong** - Holman shelves are built to last using the strongest steel and aluminum available.
- **Customizable** - Build and configure your interior your way. With options and accessories, your van will work how you want it to work.
- **Organized** - Nothing is more frustrating than not being able to find what you need. Our interior organizers will keep everything in it's place. Securely.
- **Guaranteed** - Holman Warranty

PACKAGE INCLUDES

ITEM	DESCRIPTION	QTY
48524	Shelf Unit - 52" W x 60" H x 14" D	1
40070	Drawer Cabinet - 2 Drawers	1
40090	Drawer Cabinet - 4 Drawers	1
40060	Hook - 3 Prong "J"	1
40270	Hanging File Holder	1
40669SH	Partition Wing Kit - Sprinter High Roof - For Use With 4066X Partitions	1
40342	Large Parts Bins (40311) In Steel Shelf Cabinet - 2 Bins	1
40311	Small Parts Shelf Bin - 10" W Plastic	10
48523	Shelf Unit - 52" W x 36" H x 14" D	2
40552	Workbench Top w/ Backsplash - 52"W - Use with 48522 or 48523	2
40040	Shelf Door Kit 52" W	2
40660	Partition - Perforated - Transit Mid/High Roof, Sprinter High Roof	1
40190	Cargo Case Cabinet - Includes 4 Cargo Cases (40351)	2