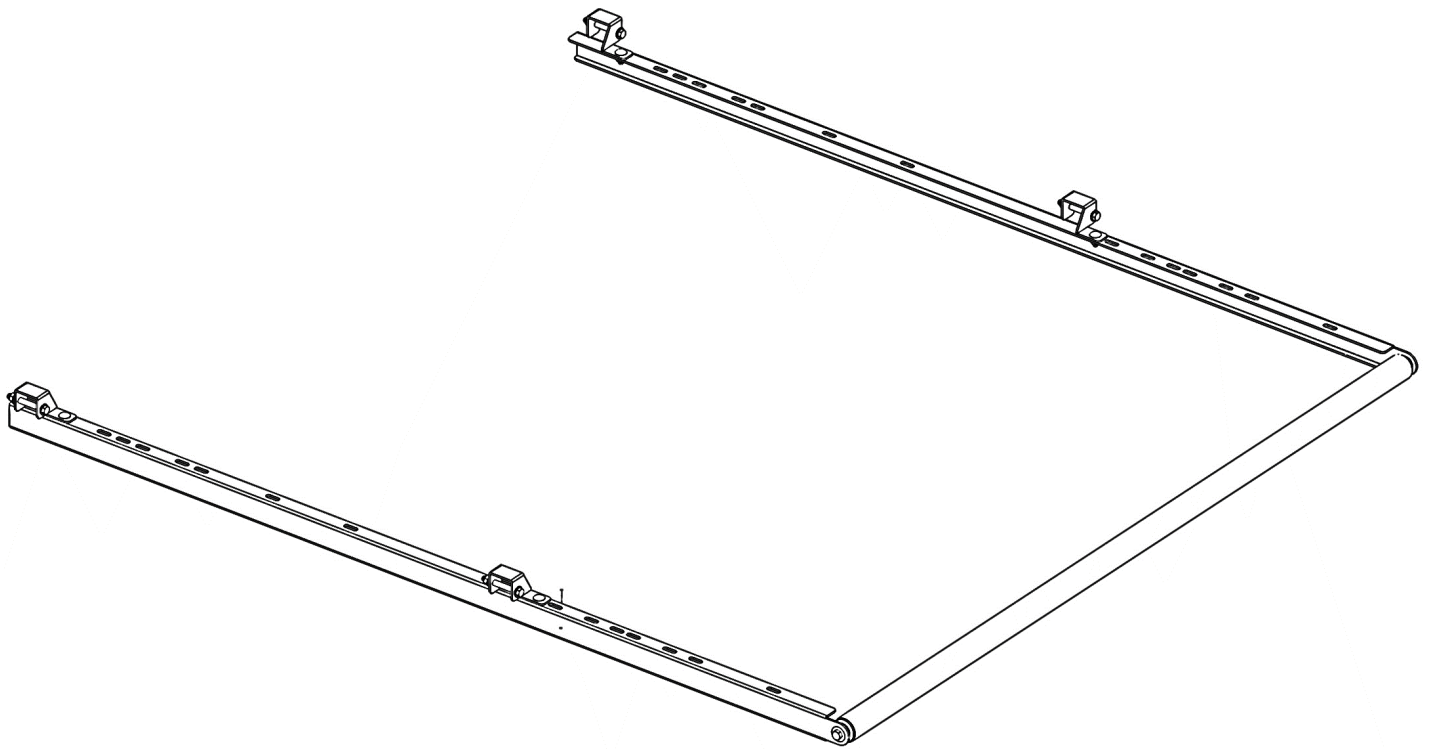


Holman

Instruction Guide 40831



Holman
Rancho Cordova, CA 95742
800-343-7486
InstallationSupport@holman.com

PLEASE READ ALL INSTRUCTIONS AND WARNINGS PRIOR TO ASSEMBLING, INSTALLING, AND USING THIS PRODUCT.

Warning



DO NOT EXCEED MANUFACTURERS WEIGHT CAPACITY FOR ROOF.

Tools Needed

1/2", 9/16" Sockets and Wrench	13mm Socket and Wrench
1/2" Box Wrench	

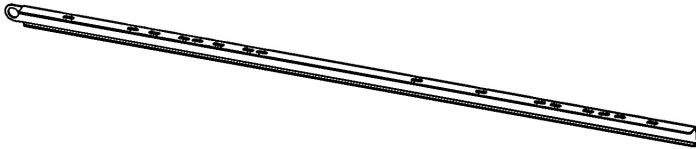
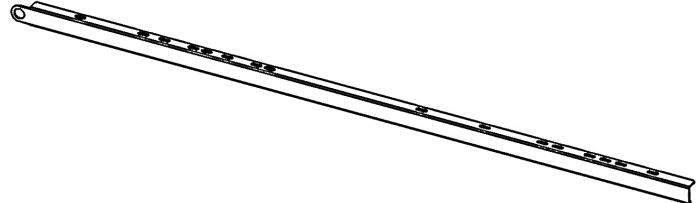
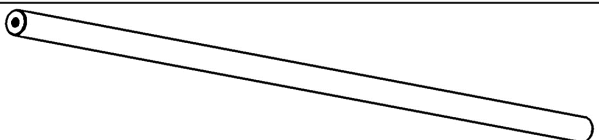
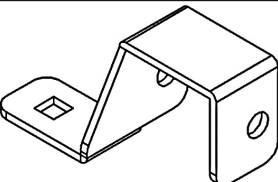
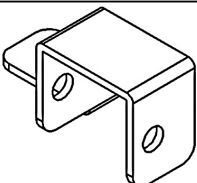
Table of Contents

Parts List.....	2
Hardware	2
Step 1 – Assemble Roller Bar	4
TRANSIT CONNECT (ONLY).....	5
Step 2 – Install Spacers.....	5
TRANSIT, TRANSIT CONNECT, METRIS, PROMASTER CITY	6
Step 3A – Install Crossbar Brackets	6
Step 3B – Attach Roller Bar Assembly	6

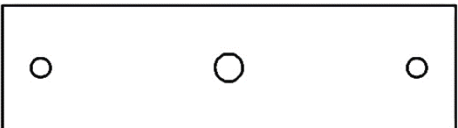
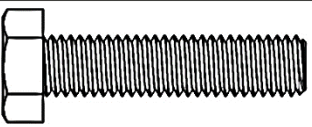
Before You Begin

- **Before installing roller bar attachment, crossbar rack and additional crossbar rack add-on must be already installed.**
- Read all instructions prior to installing any Kargo Master product.
- Install your roller bars to the roof mounting locations prior to roller bar assembly.
- **Be sure to put sealant around all threads entering cargo area and between the rubber spacer and roof of vehicle to prevent water from leaking into cargo area.**

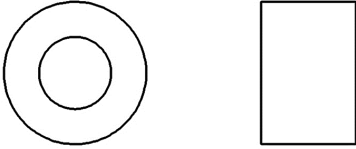
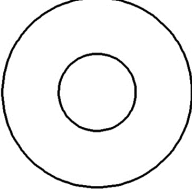
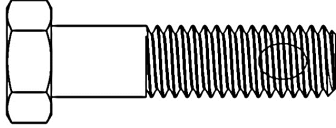
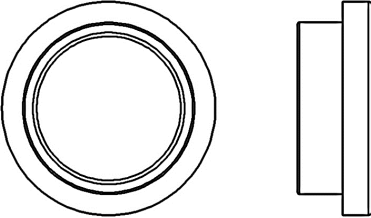
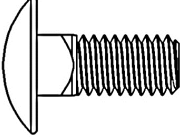

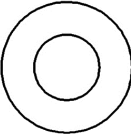
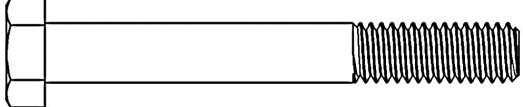

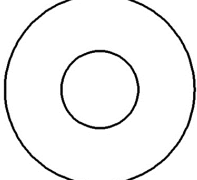
Parts List

ITEM	ITEM	PART NUMBER	DESCRIPTION	QTY.
1		100898	ROLLER BAR SIDE RAIL DS	1
2		101033	ROLLER BAR SIDE RAIL PS	1
3		100896	ROLLERBAR	1
4		100966	40821 CROSSBAR BRACKETS LH DS	2
5		101034	40821 CROSSBAR BRACKET RH PS	2
6		18-40831	HARDWARE KIT	1

Hardware

ITEM	HARDWARE TO SCALE	PART NUMBER	DESCRIPTION	QTY.
1		40821-10-004	3 HOLE RUBBER PAD	6
2		0158989	M8-1.25 X 35MM HEX HEAD BOLT	6

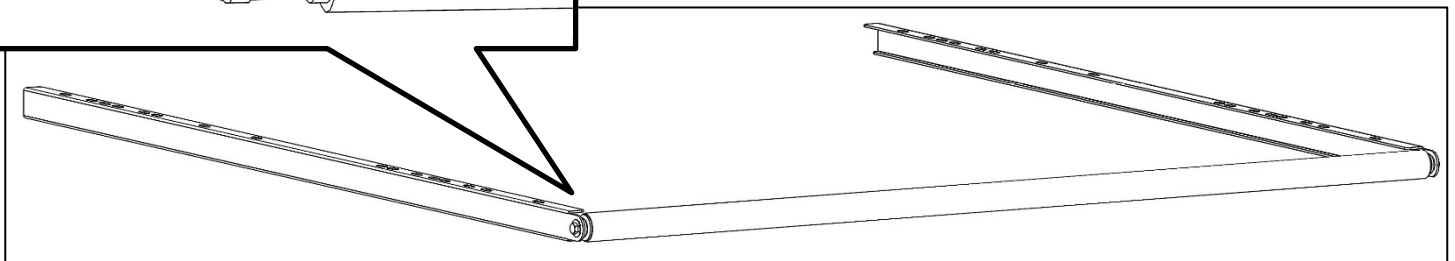
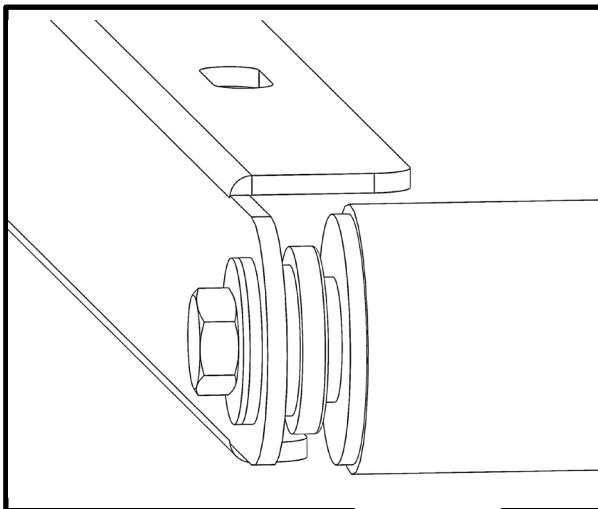
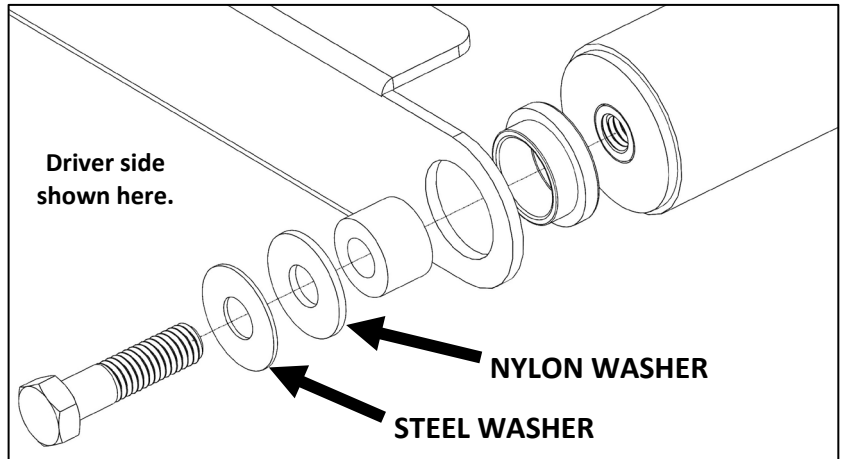
Hardware (Continued)

ITEM	HARDWARE TO SCALE	PART NUMBER	DESCRIPTION	QTY.
3		-	BUSHING, 3/8" ID, 3/4" OD, 1/2" LG, NYLON	2
4		78018	3/8" X 1"OD OVERSIZE WASHER	2
5		91412A470	3/8"-16 X 1-1/2" THREAD LOCKING HEX HEAD BOLT	2
6			BUSHING, FLANGED, 3/4" ID	2
7			3/2-18 X 3/4" CARRIAGE BOLT	4
8		11104019	5/16-18 FLANGED NYLOCK NUT	4
9		11545144	5/16" FLAT WASHER	8
10		95064	5/16-18 X 2-3/4" HEX HEAD BOLT	4
11		70861	5/16"-18 NYLOC	4
12			.406"ID X 1"OD NYLON WASHER	2

DO NOT EXCEED MANUFACTURERS WEIGHT CAPACITY FOR ROOF

Step 1 – Assemble Roller Bar

- Using one each of 3/8" x 1-1/2" hex head bolt, 3/8" oversized washer, .406" nylon washer, 3/8" ID nylon bushing, and 3/4" ID flanged bushing, fasten the roller bar to the driver-side (DS) side rail, as shown.
- ! **Be sure the flanged bushing is inserted into large hole in side rail in the orientation shown.**
- ! **Also be sure the oversized steel washer is outside of the nylon washer, with the nylon washer contacting the side rail.**
- **DO NOT OVERTIGHTEN.** Tighten so that the roller bar is still able spin easily.
- Repeat for opposite passenger-side (PS) side rail.

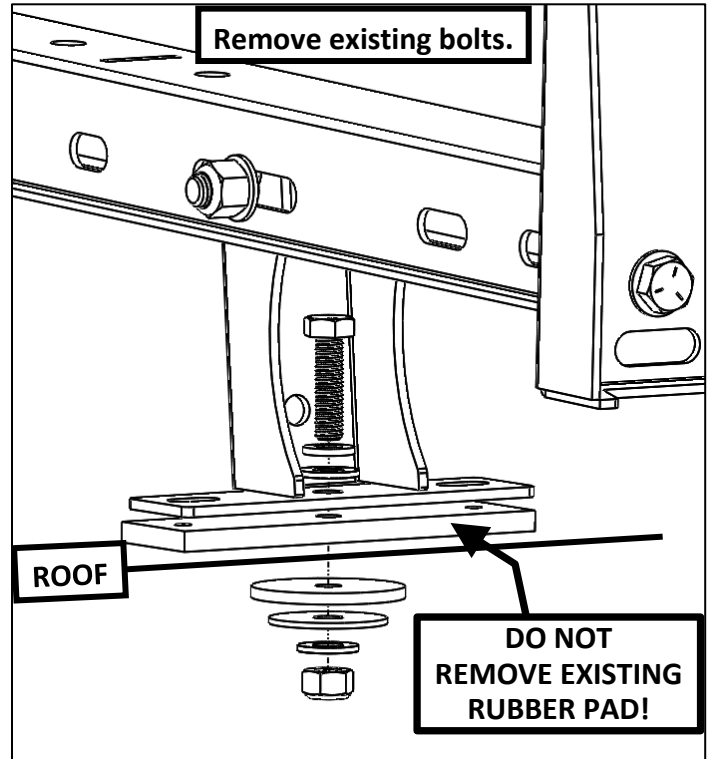


TRANSIT CONNECT (ONLY)

Step 2 – Install Spacers

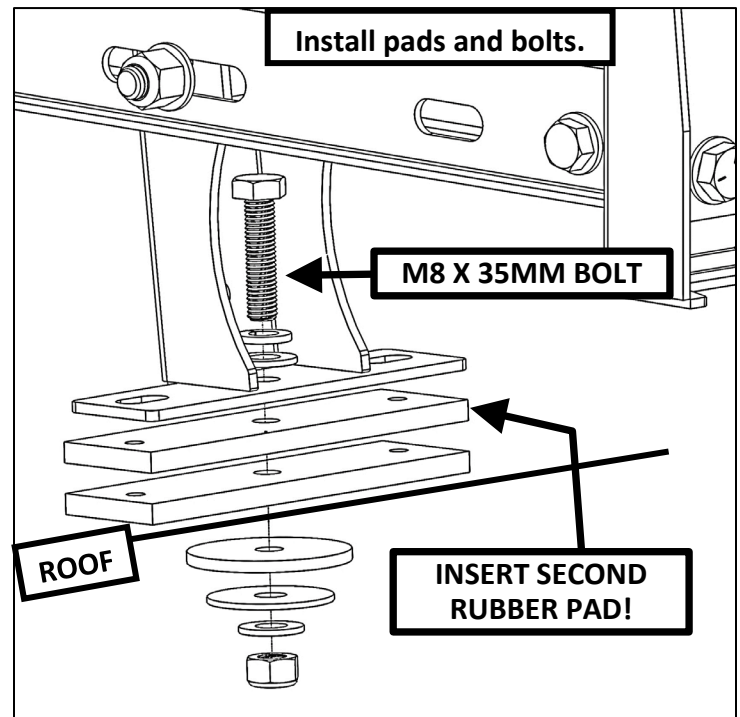
If installing onto a Transit Connect, spacers must be installed below the existing feet.

- Remove the existing M8 bolts, washers and nut securing crossbar rack feet to roof.
- **DO NOT** remove the existing 3-hole rubber pad.



- Insert additional 3-hole rubber pad between each foot and existing 3-hole rubber pad.
- Using the M8 x 35mm bolts and previously removed hardware, reinstall rack by bolting through both rubber pads.

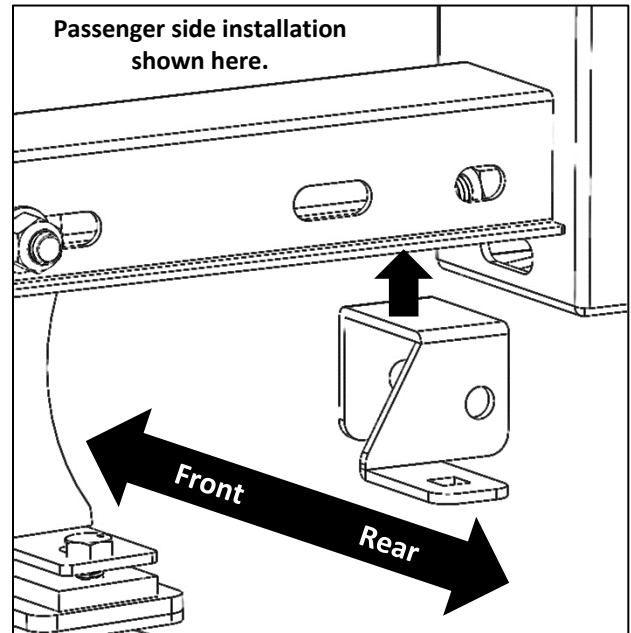
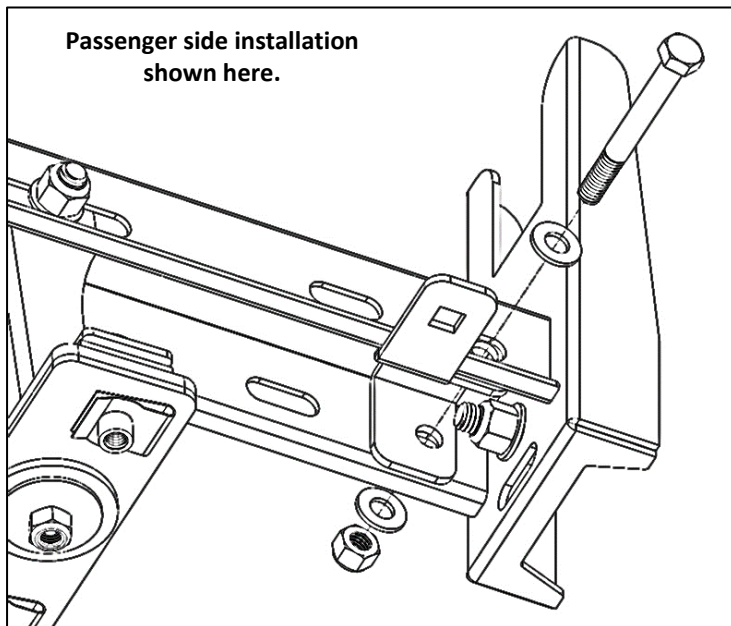
! BE SURE THE RUBBER WASHERS ON THE INSIDE OF THE VEHICLE ARE IN PLACE WHEN REINSTALLING.



TRANSIT, TRANSIT CONNECT, METRIS, PROMASTER CITY

Step 3A – Install Crossbar Brackets

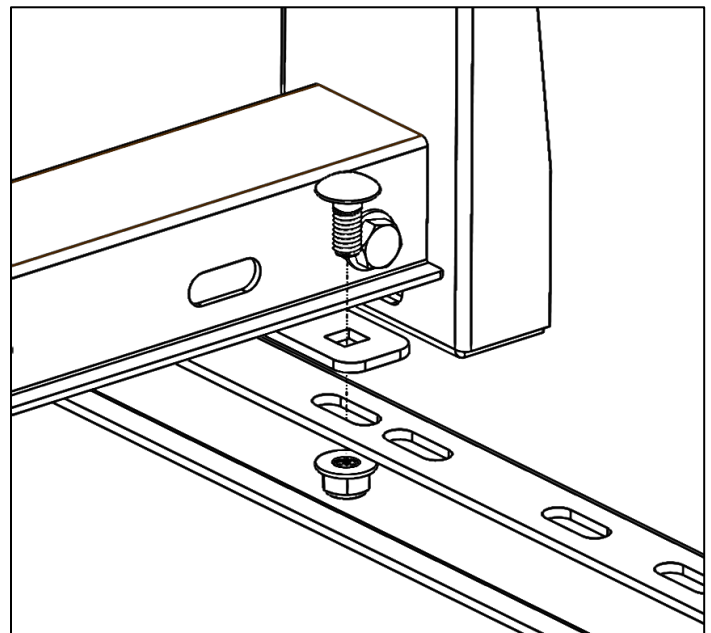
- Insert passenger side (PS) crossbar bracket into underside of crossbar, with holes aligned with last set of holes. **Be sure the tab is towards the rear of vehicle.**
- Using one 5/16" x 2-1/2" hex head bolt, two 5/16" washers and one 5/16" lock nut, **LOOSELY** bolt the crossbar bracket into the underside of the crossbar as shown below. **DO NOT tighten.**
- Repeat this step three more times until two brackets installed on driver side (DS) and two on the passenger side (PS).

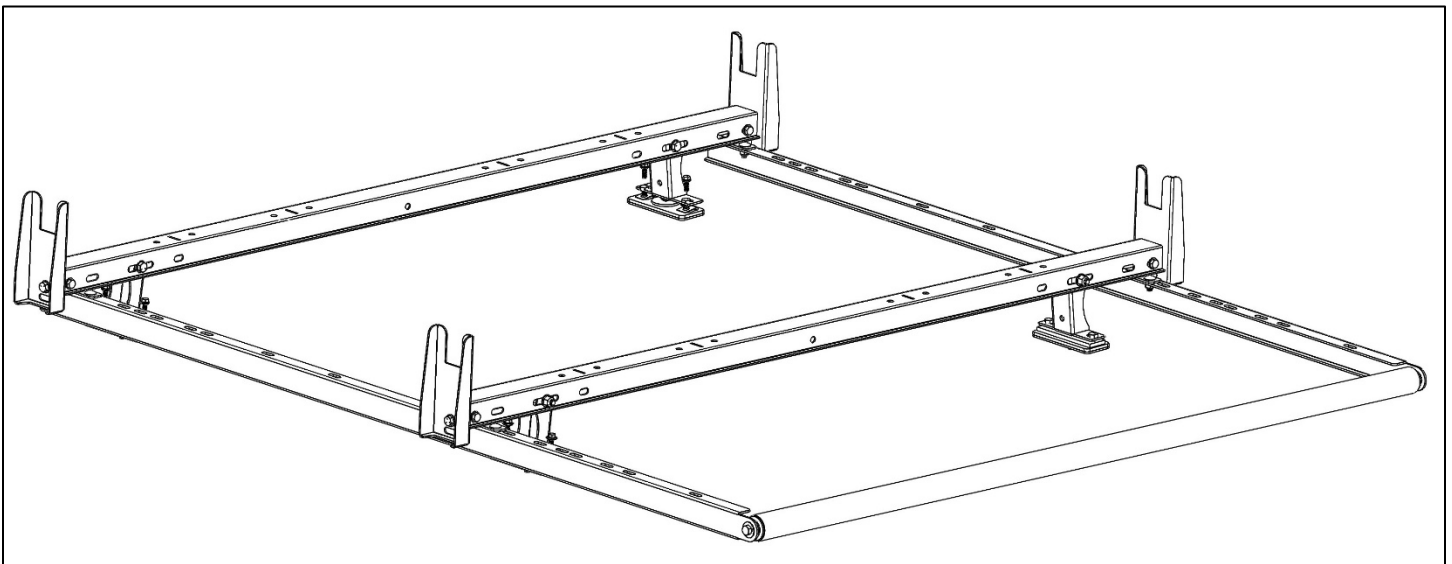
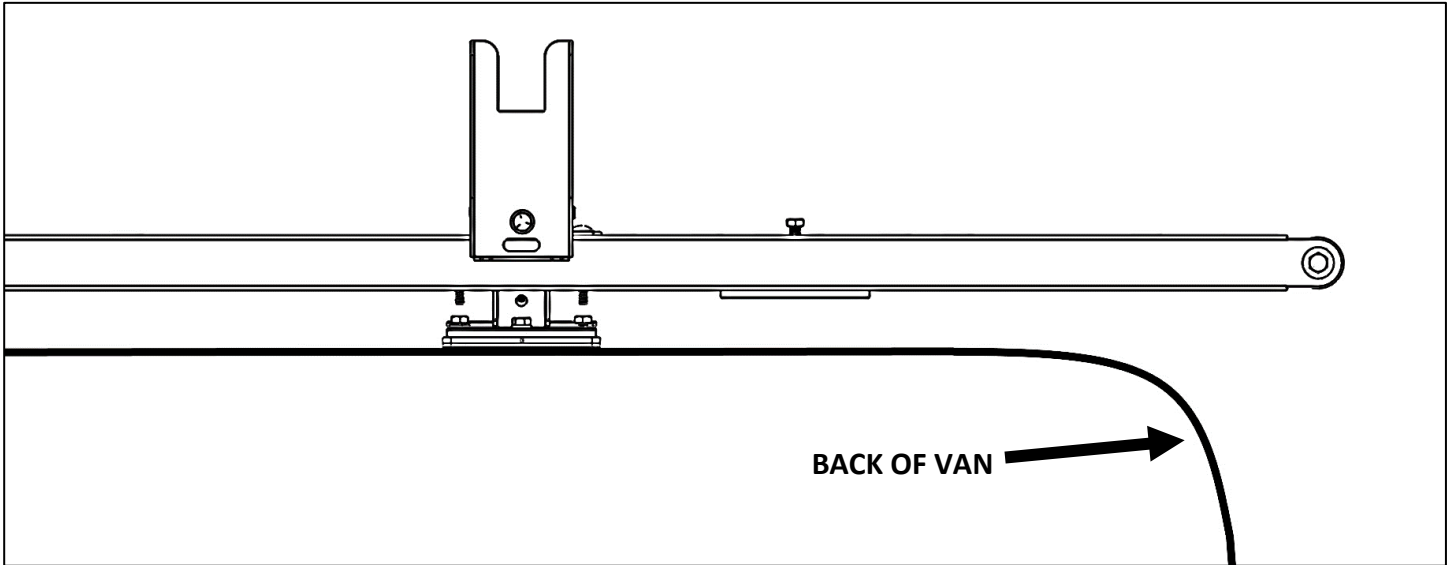


! Be sure all crossbar bracket tabs are facing the same direction.

Step 3B – Attach Roller Bar Assembly

- Slide roller bar cross members under the cross bar rack until the roller bar hangs off the back of the van at the desired distance.
- Align square holes in crossbar bracket with slots in side rails.
- Using four 5/16" X 3/4" carriage bolts and four 5/16" flanged hex nuts, **LOOSELY** bolt the roller bar cross members to the mounting brackets.
- **Tighten hardware only after all hardware has been installed.**





GO BACK AND ENSURE ALL HARDWARE IS TIGHTENED.

ASSEMBLY AND INSTALLATION ARE COMPLETE.