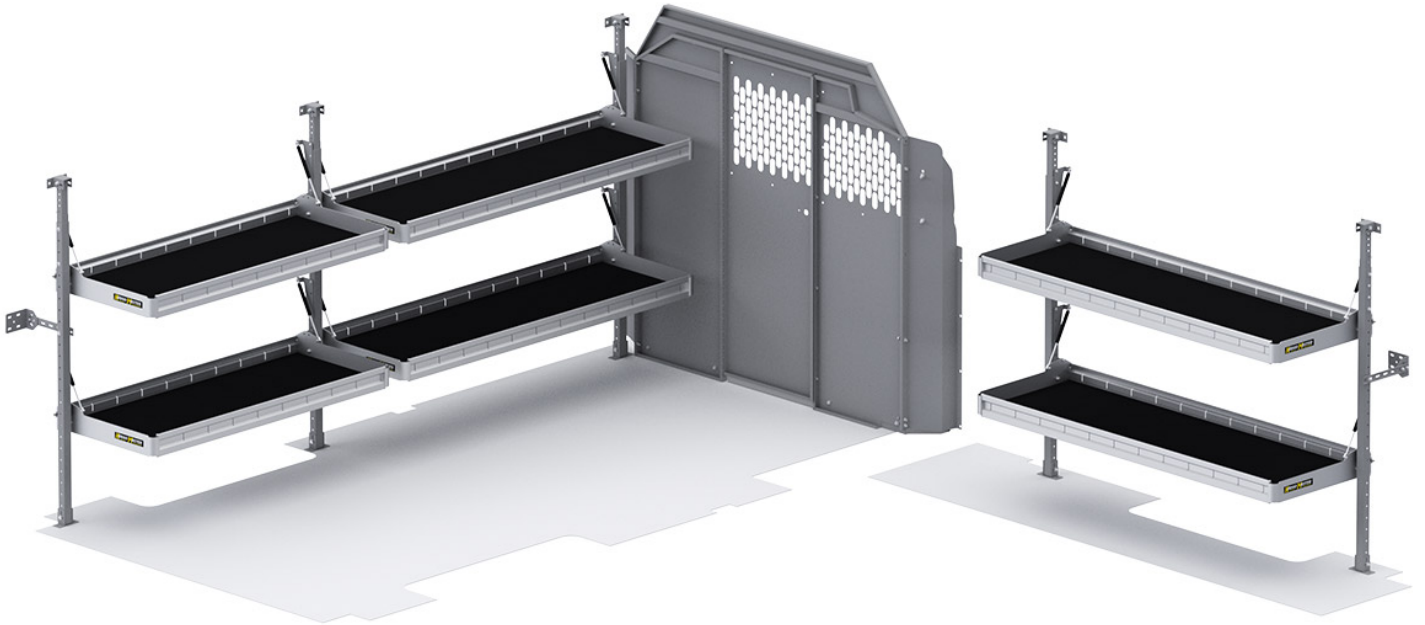


FOLDING SHELVES PACKAGE - TRANSIT 148" WB LOW ROOF

Part # : 51TLL





FLAT OUT AWESOME

Our folding shelves fold flatter than the competition's to maximize van interior space. Perfect for parcel delivery applications, they're lightweight, easy to install and each shelf is rated to 150 lbs. Made out of aluminum, with uprights of powder coat finished steel for extra rigidity.

- **Strong** - Each shelf is rated to carry 150 lbs. Uprights are powder coat finished steel for extra rigidity.
- **Light** - Shelving is made out of lightweight and strong aluminum with rigid HolyPan base.
- **Compact** - Shelves are easily positioned up and down to maximize van interior space
- **Guaranteed** - Holman Warranty

PACKAGE INCLUDES

ITEM	DESCRIPTION	QTY
40640	Partition - Perforated - Transit & NV Low Roof, GM, Metris	1
48606	Folding Shelf Unit - 60" W x 20" D	2
48487	Folding Shelf - Extra Shelf - 48" W x 20" D	2
48007	Folding Shelf - Leg	1
40620	Partition - Center Panel Latch & Door Lock Kit	1
40649TL	Partition Wing Kit - Transit Low Roof	1