

---

# Holman

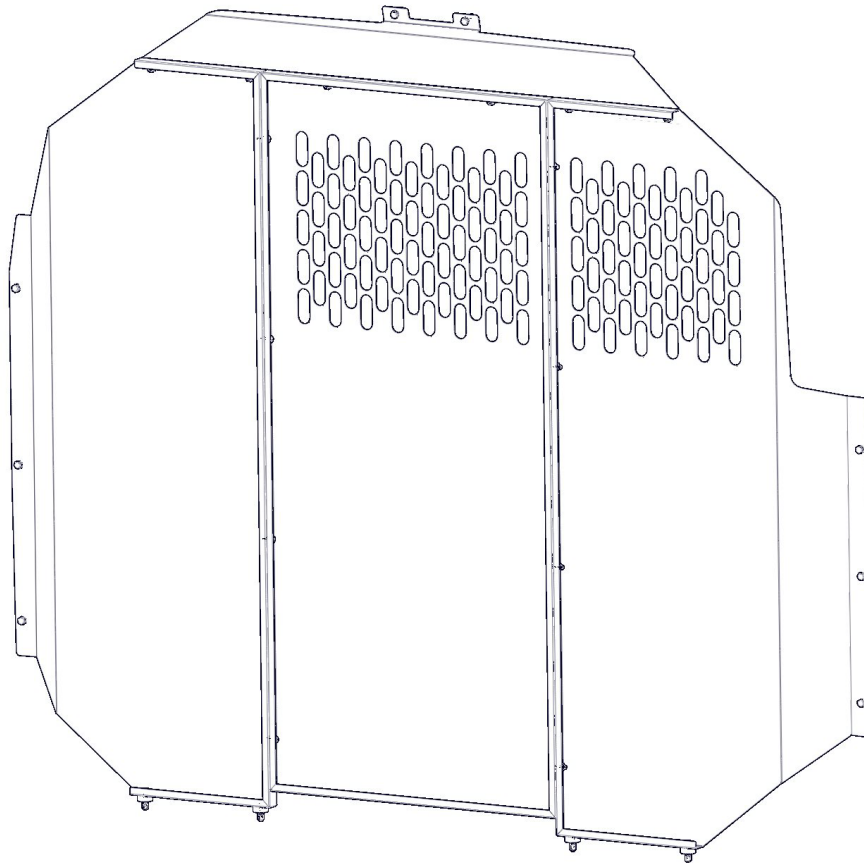
---

## Installation Guide

---

### 406TLF

---



---

Holman  
Rancho Cordova, CA 95742  
800-343-7486  
InstallationSupport@holman.com

---

DATE: \_\_\_\_\_

---

**\*PLEASE READ ALL INSTRUCTIONS AND WARNINGS PRIOR TO ASSEMBLING,  
INSTALLING, AND USING THIS PRODUCT\***

---

## Warning



Always check for wires, fuel tanks and lines, brake lines, and other important vehicle functionality items prior to drilling and installing all products.

---

## Tools Needed

7/16" Socket and Wrench	3/8" Socket and Wrench
25/64" Drill Bit	

---

## Table of Contents

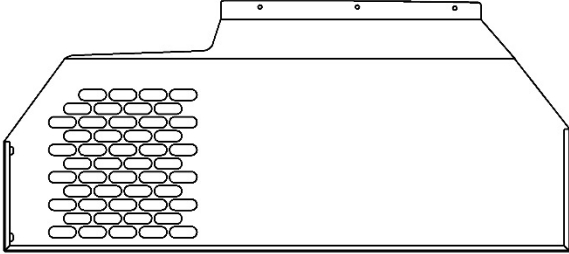
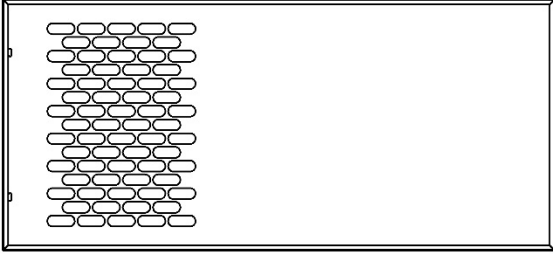
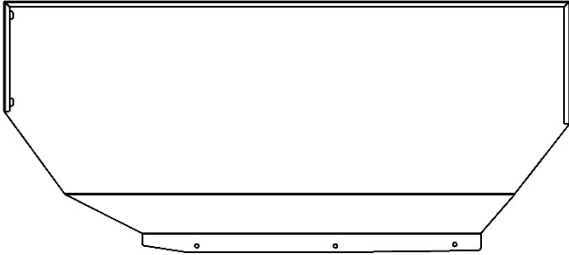
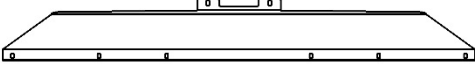
Parts List .....	2
Hardware List .....	3
<u>Assembly</u>	
Step 1 – Bolt Panels Together .....	4
Step 2 – Repeat on Drivers Side .....	5
Step 3 – Top Wing .....	6
<u>Installation</u>	
Step 1 – Prepare to install RivNuts_.....	7
Step 2 – Install RivNuts .....	8
Step 3 – Bolt Partition .....	8-9

---

## Before You Begin

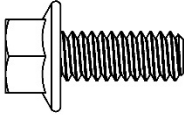
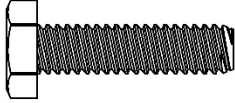
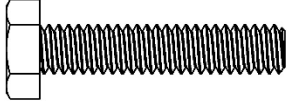

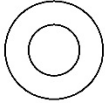


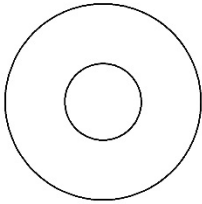
- Read all instructions.
  - These instructions are shown using panels with view holes in them. All instructions are the same.
-

## Parts

ITEM NO.	406TLF-P	PART NUMBER	DESCRIPTION	QTY.
A		406TLF-P1-001	Passenger Side Panel	1
B		406TLF-P1-002	Center Panel	1
C		406TLF-10-003	Driver Side Panel	1
D		406TLF-10-004	Top Wing	1
		18-406TLF	HARDWARE	1
		INSTRUCTIONS		

\*\*Parts A and B are shown with view holes. In some situations these holes will not be there\*\*

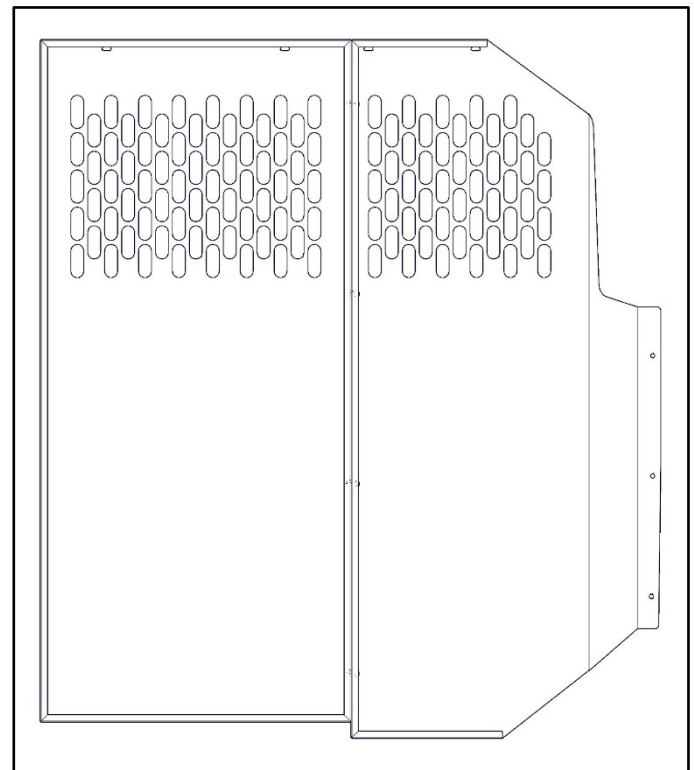
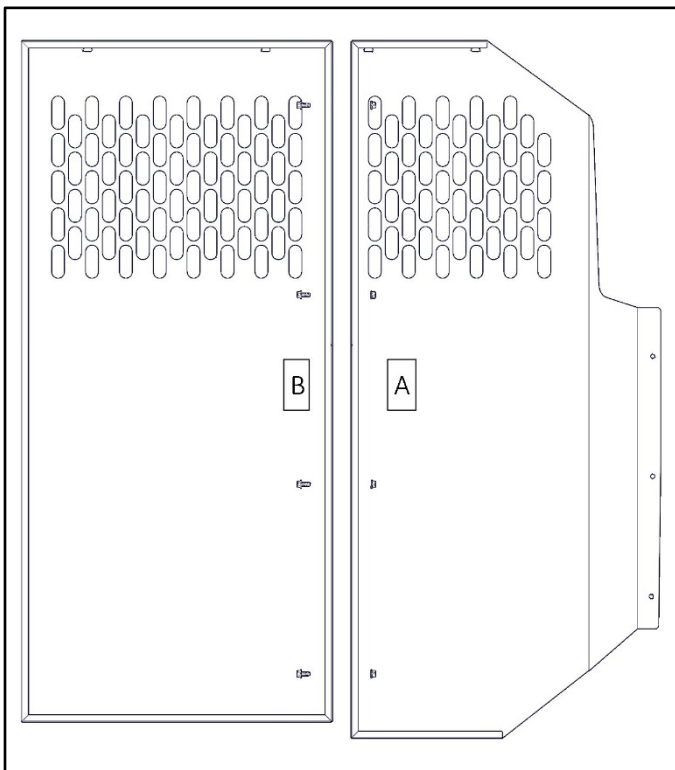
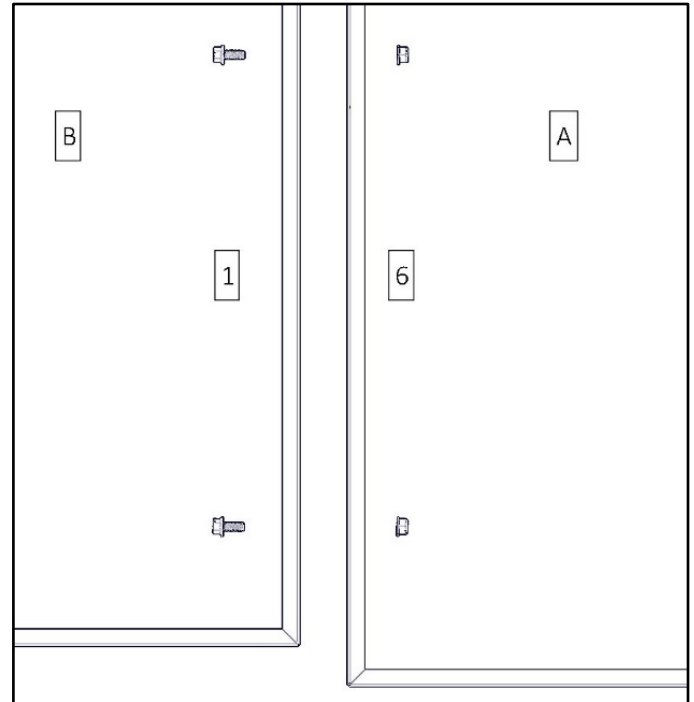
## Hardware

ITEM NO.	TO SCALE	PART NUMBER	DESCRIPTION	QTY.
1		92979A114	.25-20 x .625 Flange HH	14
2		92865A542	.25-20x1.0 HH	8
3		92865A544	.25-20 x 1.25 HH	4
4		.25 Lock Washer	.25 Lock Washer	12
5		.25 flat washer	.25 flat washer	12
6		93298A110	.25-20 Flanged Nyloc Nut	14
7		95105A143	.25-20 ZINC- PLATED STEEL HEAVY-DUTY RIVET NUT	12
8		.375 x 1.0 Nylon Spacer	.375 x 1.0 Nylon Spacer	4

## Assembly

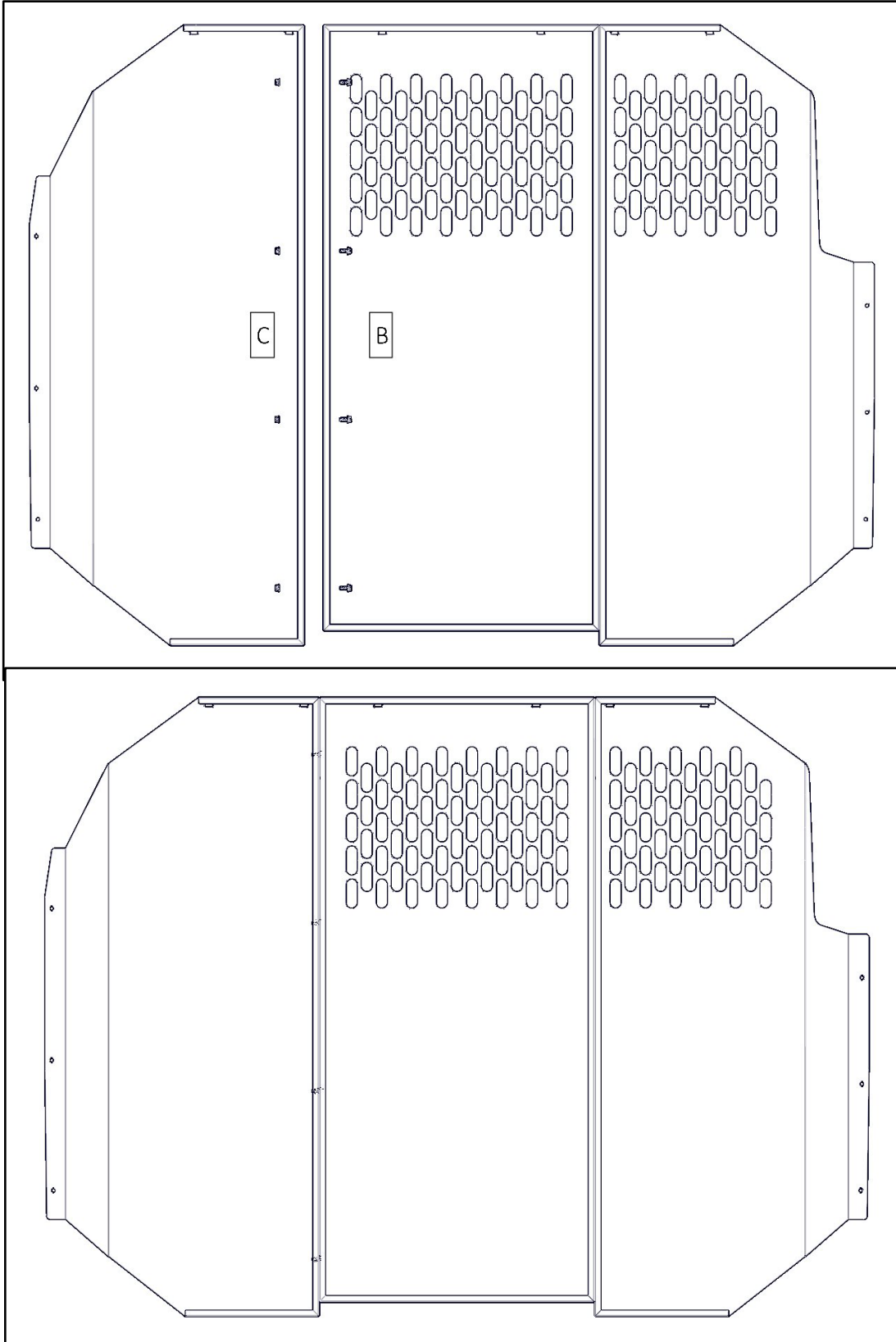
### Step 1 – Bolt Panels Together

- Bolt passenger side panel (A) to middle panel (B) as shown.
- Have the flanges on both panels in same direction.
- Use 1/4" x 5/8" flanged HH bolt (1) and a 1/4" flanged nylock nut (6).
- Repeat 4x total.



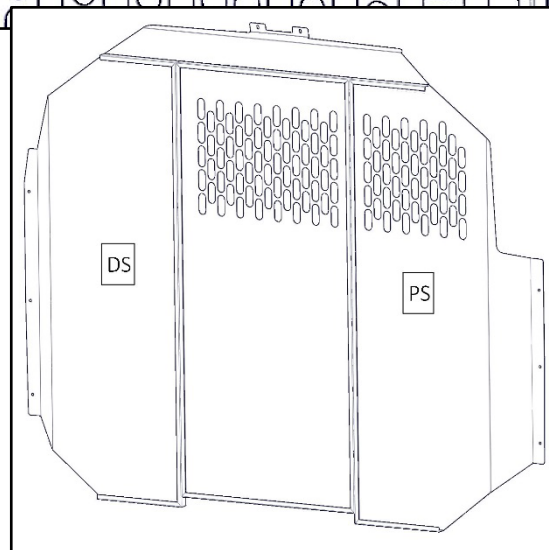
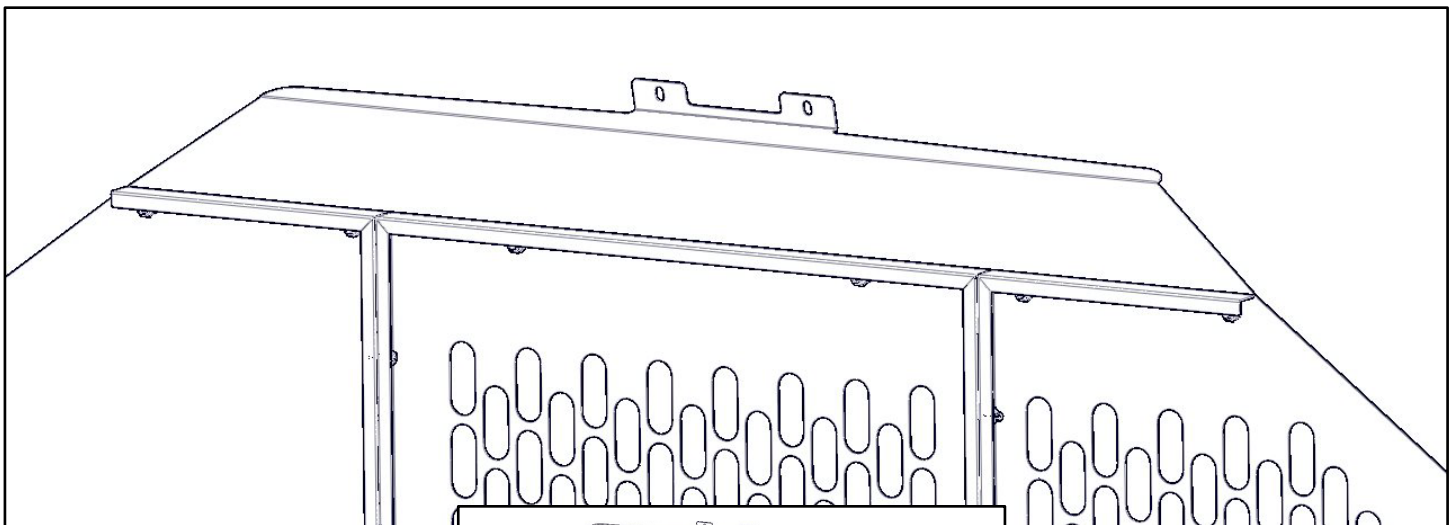
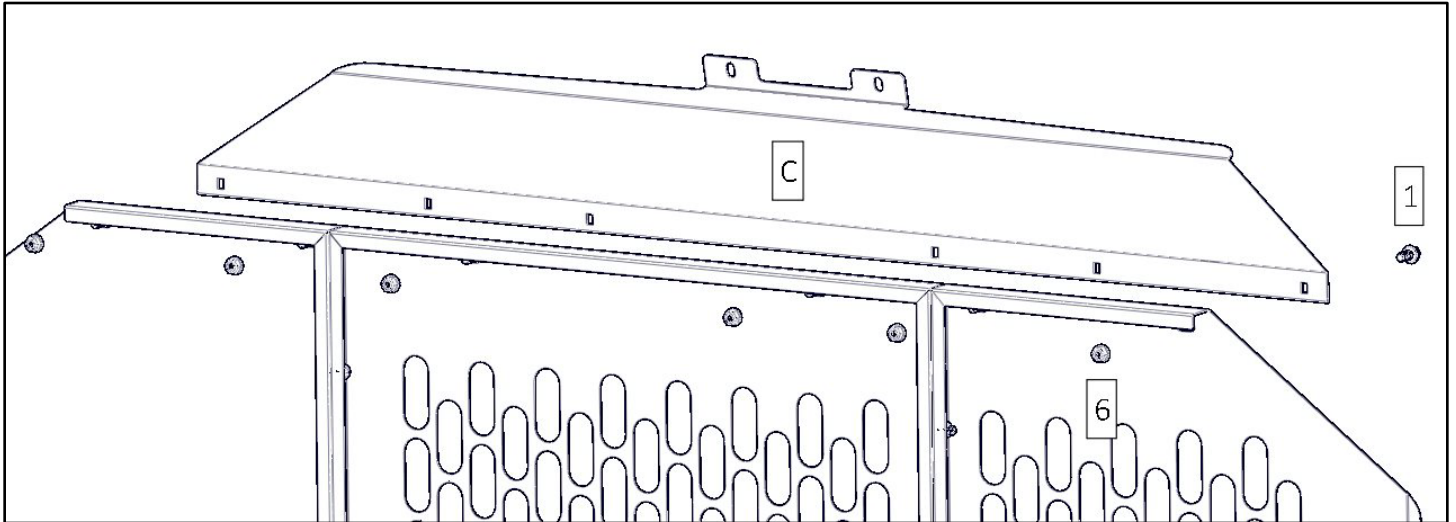
## Step 2 – Repeat on Drivers Side

Repeat on drivers side using the drivers side panel (C).



## Step 3 – Top Wing

- Bolt top wing (C) to previously assembled partition as shown.
- Bolt on the flat side of the partition.
- Use 1/4" x 5/8" flanged HH bolt (1) and a 1/4" flanged nylock nut (6).
- Repeat for a total of 6x.

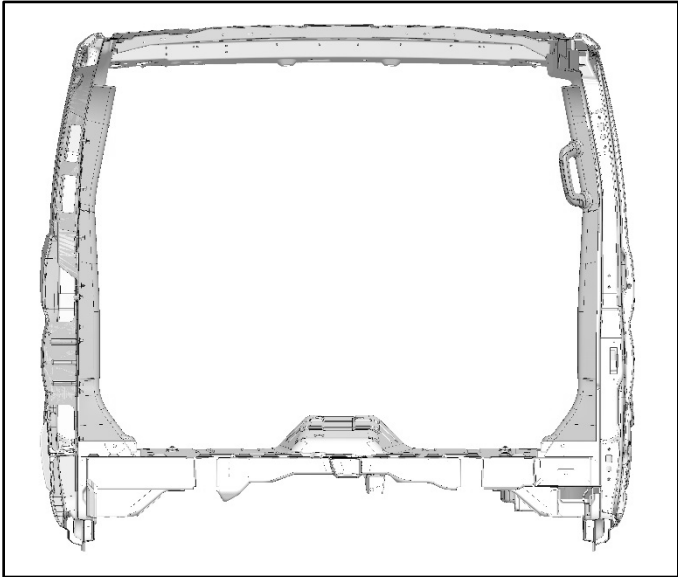
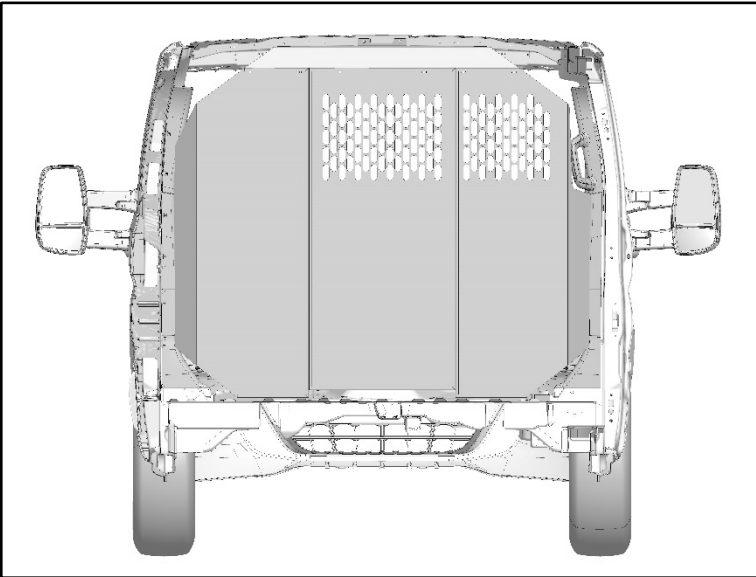
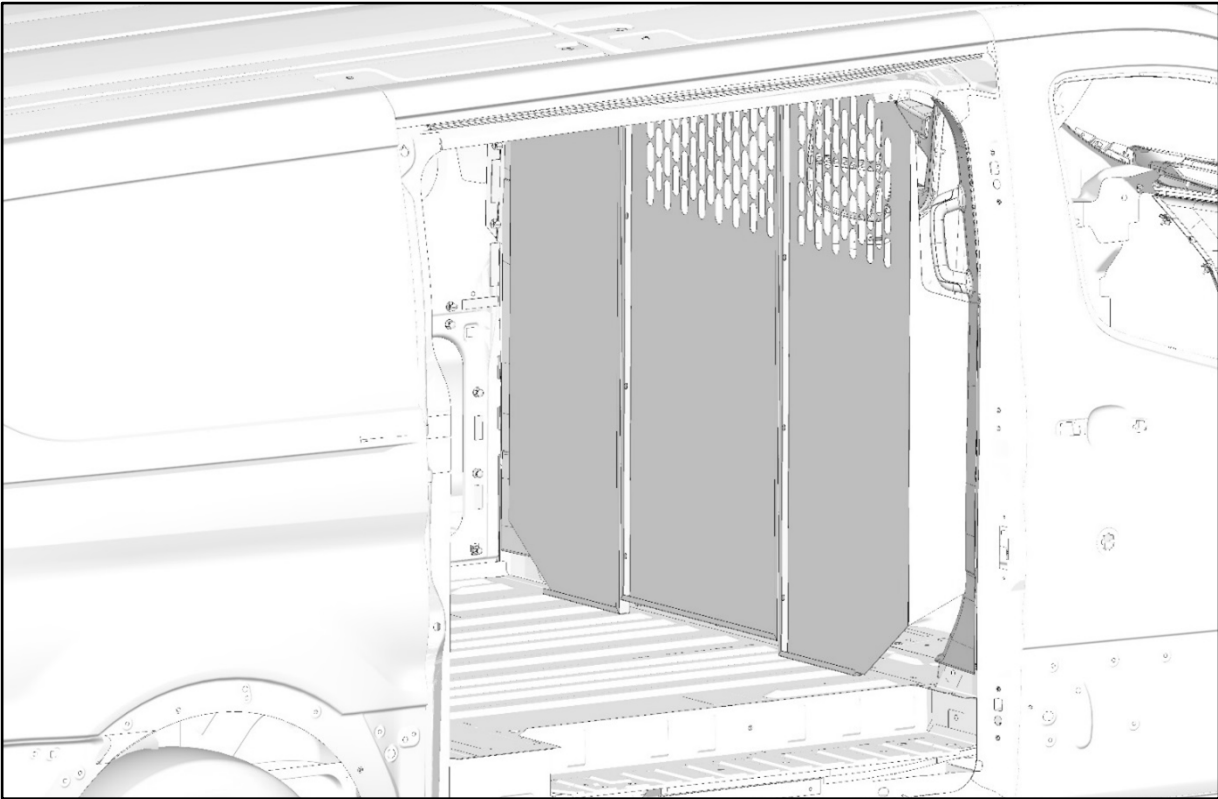


## INSTALLATION

### Step 1 – Prepare to install RivNuts

- Place assembled partition into van with the wings towards the “B” pillars.
- Press partition firmly against “B” pillars and the headliner across the roof of the van.
- Align and square partition.
- Mark the 3 holes on both side panels (A & C).
- Mark the two holes through the top wing (D) onto the headliner.
- Mark the 3 holes onto the floor through both side panels.
- There should be a total of 15 holes marked.





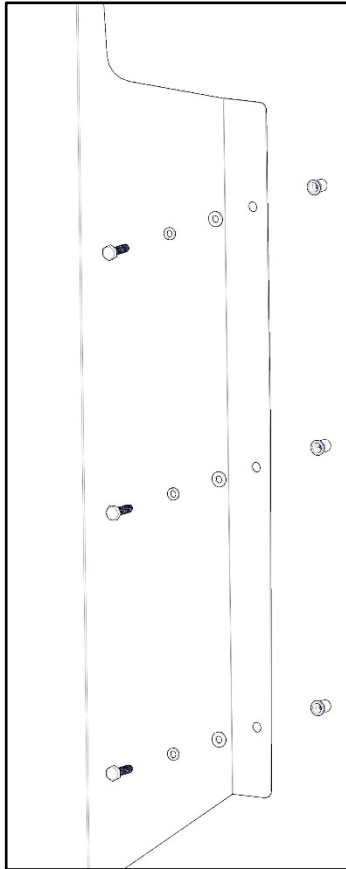
## Step 2 – Install RivNuts

### \*ENSURE SAFETY PRIOR TO DRILLING\*

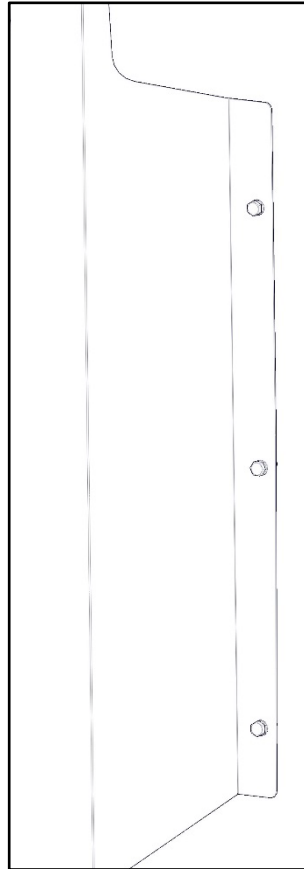
- Where previously marked, cut the plastic along the “B” pillars to expose the metal behind the plastic. Be sure to keep the marked locations. Drill these marked locations using a 25/64” drill bit.
  - Along the floor, choose the two best marked locations on each panel and drill using a 25/64” drill bit.
  - Along the support in the roof, cut headliner back to expose metal. Drill the two marked locations using a 25/64” drill bit.
  - Install RivNuts where previously drilled.
-

## Step 3 – Bolt Partition

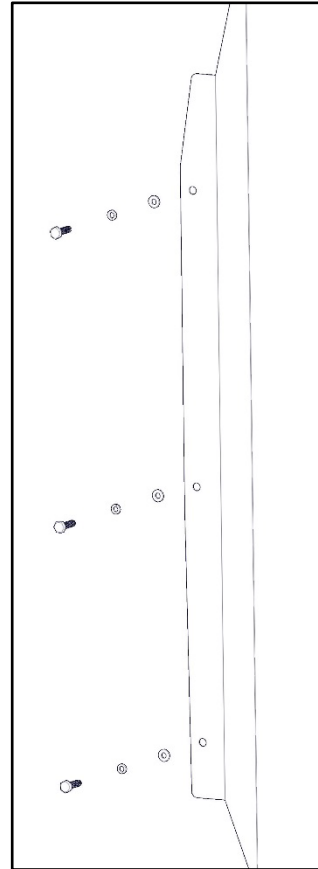
- Place assembled partition back into van.
- Along the “B” pillars, bolt partition into previously installed RivNuts using a 1/4" x 1" HH (2), a 1/4" split lock washer (4) and a 1/4" flat washer (5).



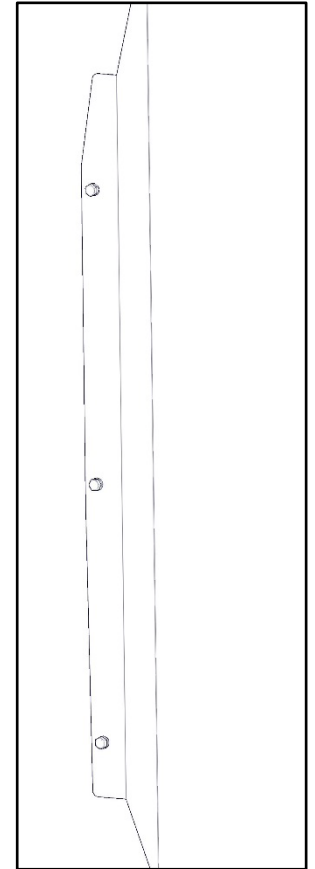
Passenger Side EXP



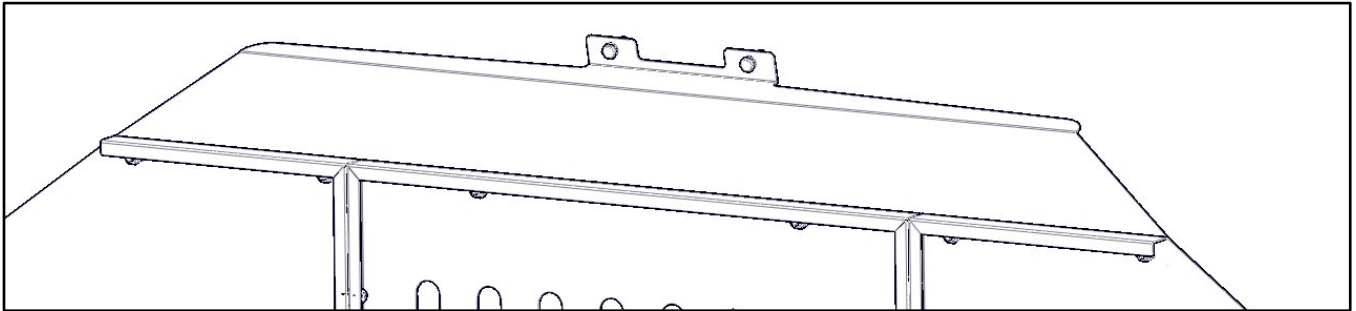
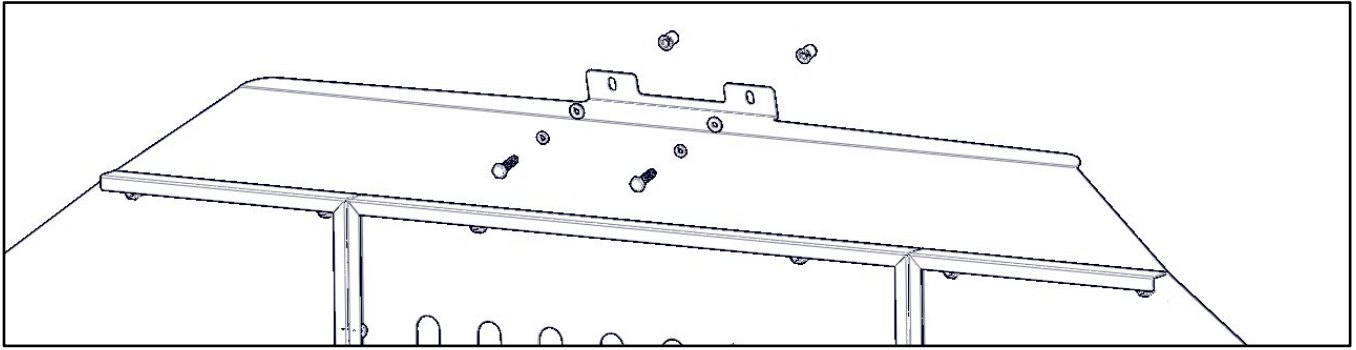
Passenger Side



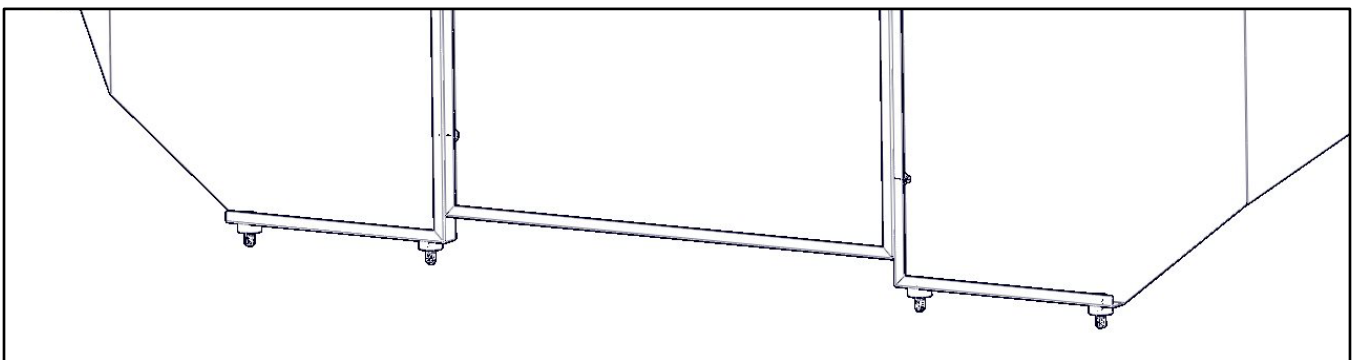
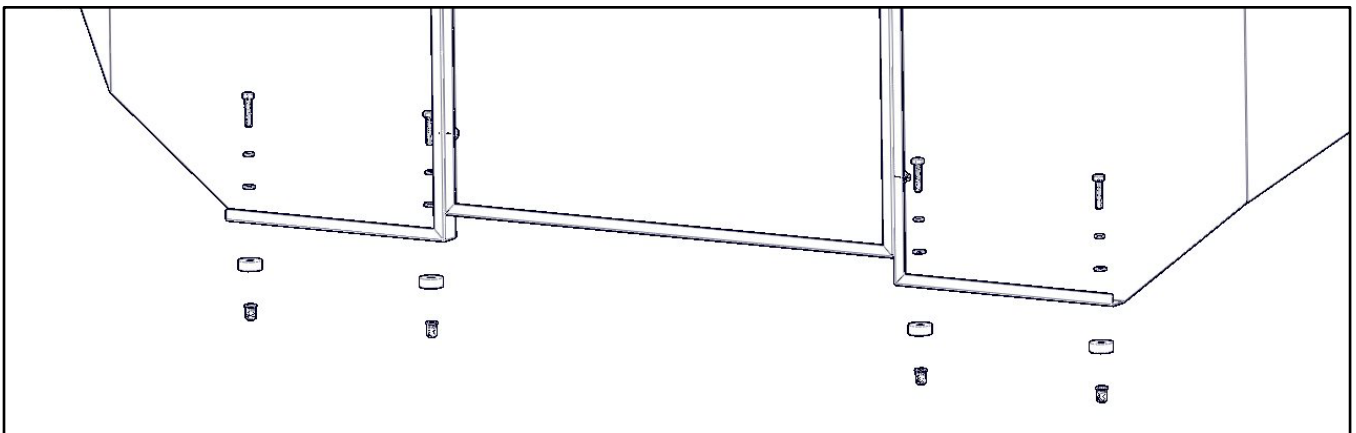
Driver Side EXP



Driver Side



- Along the top wing, bolt partition into previously installed RivNuts using a 1/4" x 1" HH (2), a 1/4" split lock washer (4) and a 1/4" flat washer (5).



- Along the floor, bolt into RivNuts using 1/4" x 1.25" HH (3), a 1/4" split lock washer (4) and a 1/4" flat washer (5). Place a 3/8" spacer (8) where needed.

---

**\*\*TIGHTEN ALL BOLTS. YOUR INSTALLATION IS NOW COMPLETE\*\***