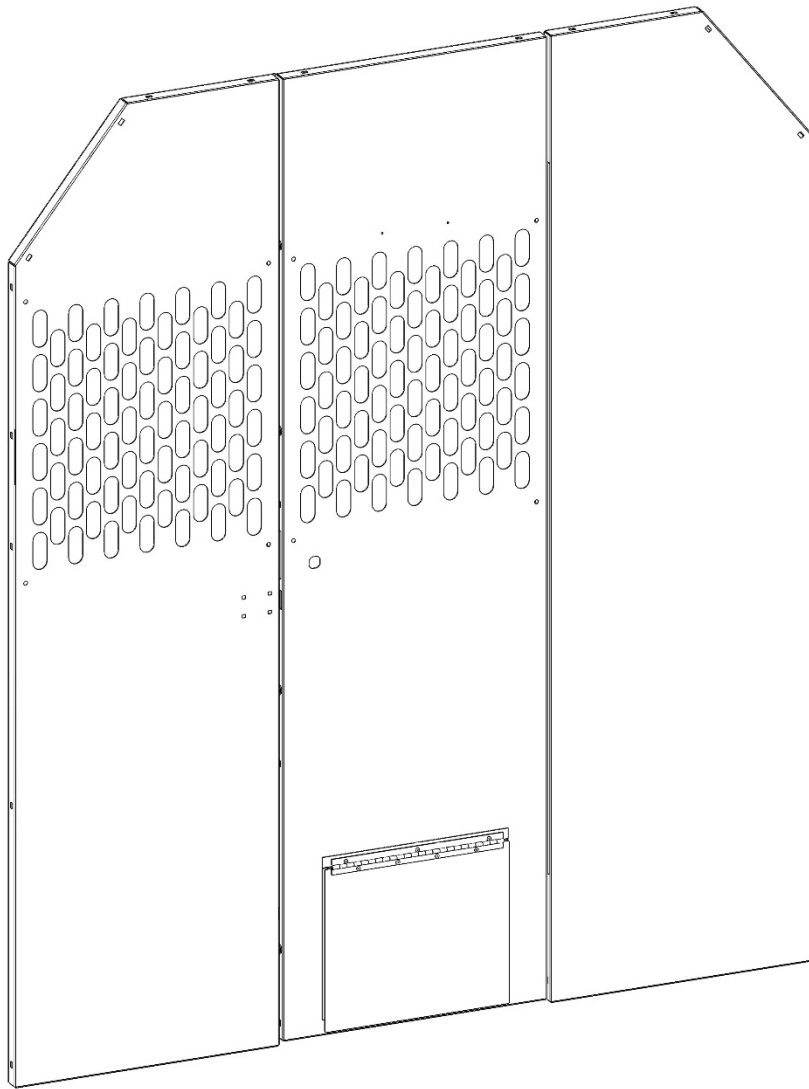


Holman

Installation Guide

40665



Holman
Rancho Cordova, CA 95742
800-343-7486
InstallationSupport@holman.com

PLEASE READ ALL INSTRUCTIONS AND WARNINGS PRIOR TO ASSEMBLING, INSTALLING, AND USING THIS PRODUCT.

Warning



Always check for wires, fuel tanks and lines, brake lines and other important vehicle functionality items prior to drilling and installing all products.

Tools Needed

3/8" Wrench and Socket	7/16" Wrench and Socket
------------------------	-------------------------

Table of Contents

Parts List..... 1

Hardware 2

Join Panels..... 3

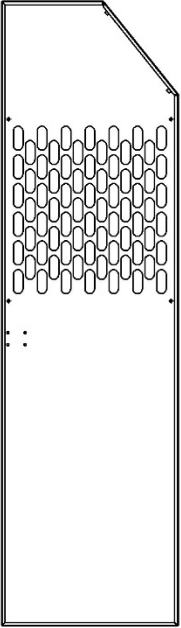
Before You Begin

- Read all instructions prior to installing any Kargo Master products.

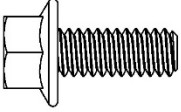

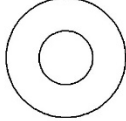
Parts List

ITEM NO.	ITEM	PART NUMBER	DESCRIPTION	QTY
1		100773	PARTITION DOOR ASSEMBLY W/ DOGGY DOOR	1

Parts List (Continued)

ITEM NO.	ITEM	PART NUMBER	DESCRIPTION	QTY
2		100764	PARTITION SIDE PANEL	1
3		18-40642	HARDWARE KIT	1

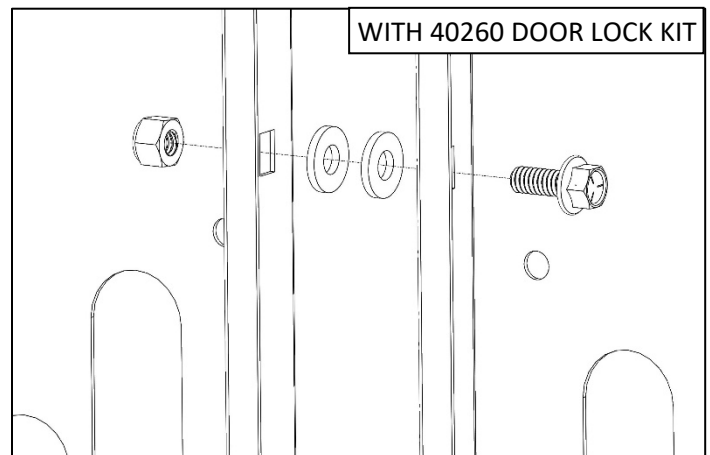
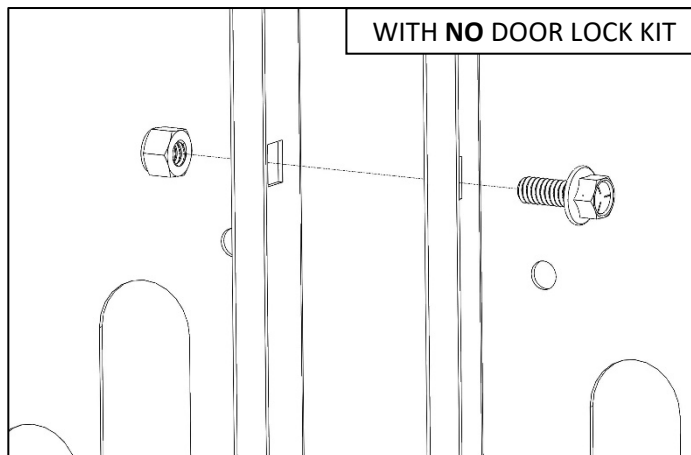
Hardware

ITEM	HARDWARE TO SCALE	PART NUMBER	DESCRIPTION	QTY.
1		11126953	1/4"-20 X 5/8" FLANGED HEX HEAD	4
2		70860	1/4"-20 NYLON INSERT LOCK NUT	4
3		33078	1/4" FLAT WASHER	8

DO NOT EXCEED MANUFACTURERS WEIGHT CAPACITY FOR ROOF

Join Panels

- Place both partition door assembly and partition side panel flat on the ground or table. Be sure to have the flanges facing upward so you can access the bolt holes.
- Bolt together using a 1/4" x 5/8" flanged hex bolt and a 1/4" flanged lock nut.
- If no door kit is being installed, no washers are needed between the door assembly and side panel.
- If installing the 40620 Center Panel Latch & Door Lock Kit, be sure to put two 1/4" flat washers in between the door assembly and side panel. This is used to get correct spacing.



- Repeat 3 more times as shown. Be sure to insert the washers between the panels if needed.
- It may be helpful to leave bolts snug tight to allow movement until partition is installed into vehicle.

**FOLLOW INSTRUCTIONS OF
DESIRED WING KIT TO INSTALL
INTO VEHICLE.**

ASSEMBLY IS COMPLETE

