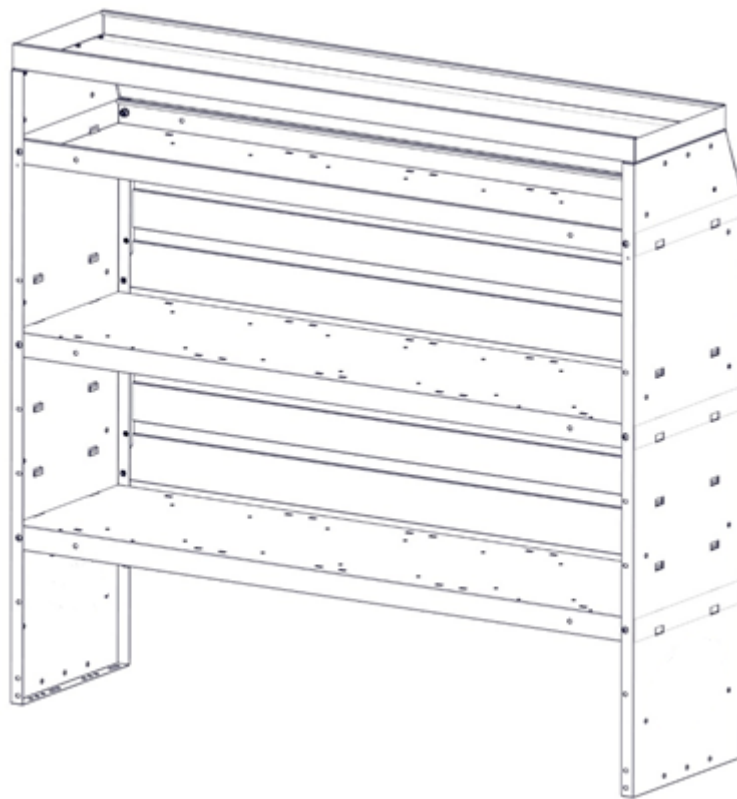

Holman

Installation Guide

48151



Holman
Rancho Cordova, CA 95742
800-343-7486
InstallationSupport@Holman.com

DATE: _____

***PLEASE READ ALL INSTRUCTIONS AND WARNINGS PRIOR TO ASSEMBLING,
INSTALLING, AND USING THIS PRODUCT***

Warning



Always check for wires, fuel tanks and lines, brake lines and other important vehicle functionality items prior to drilling and installing all products.

Tools Needed

3/8" Wrench and Socket	7/16" Wrench and Socket
Phillips Driver	

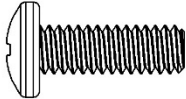
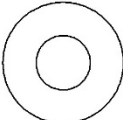


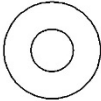

Table of Contents

Parts List	2
Hardware List	2
Step 1 Prepare Shelf Unit	3
Step 2 Mount Top Back Panel	3
Step 3 Mount Top Shelf	4
Step 4 Align and Square	4

Before You Begin

- Read all instructions.
- Have 52" shelf assembled.

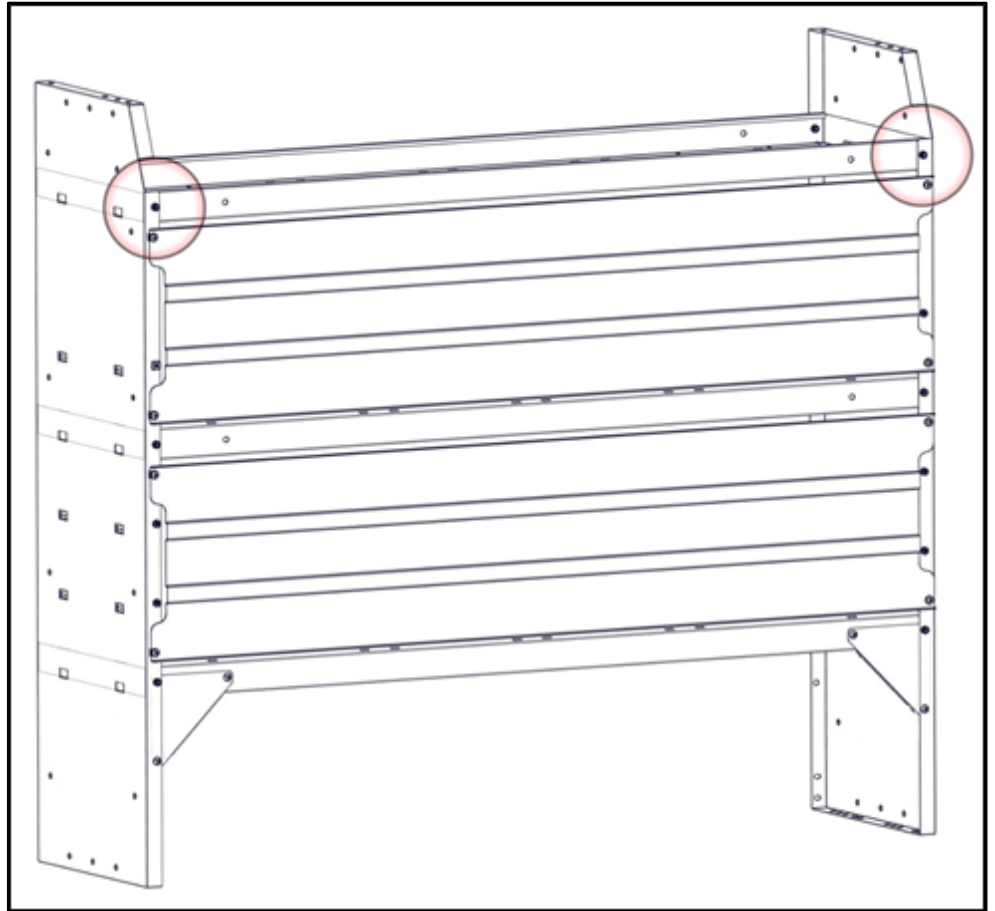
Parts

ITEM NO.		PART NUMBER	DESCRIPTION	QTY.
ITEM NO.	TO SCALE	PART NUMBER	DESCRIPTION	QTY.
1		90272A540	.25-20 x .75 Phillips Head	2
2		90126A029	.25 Flat Washer	2
3		95615A120	.25-20 Nyloc	2
4		90272A244	No10-24 x .625 Phillips Head	6
5		90126A514	No10 Flat Washer	6
6		90631A011	No10-24 Nyloc	6

Hardware

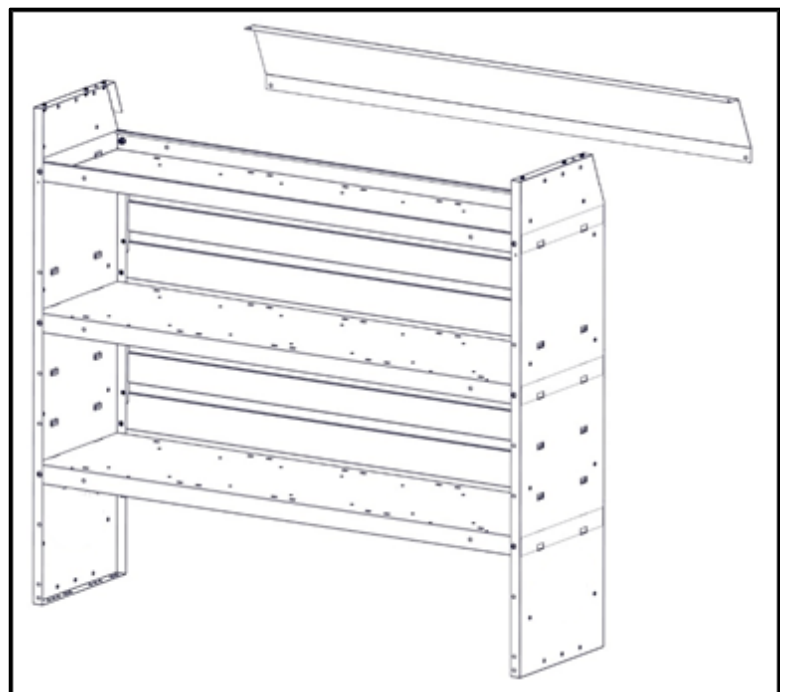
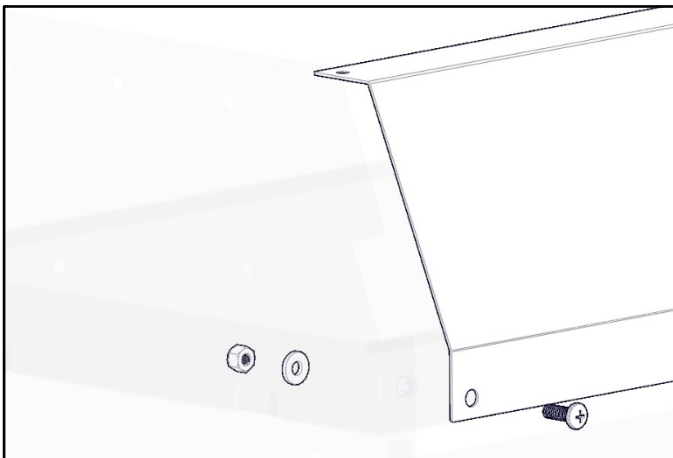
Step 1 – Prepare Shelf Unit

- Remove both top-rear bolts from assembled shelf unit where the top shelf is installed.



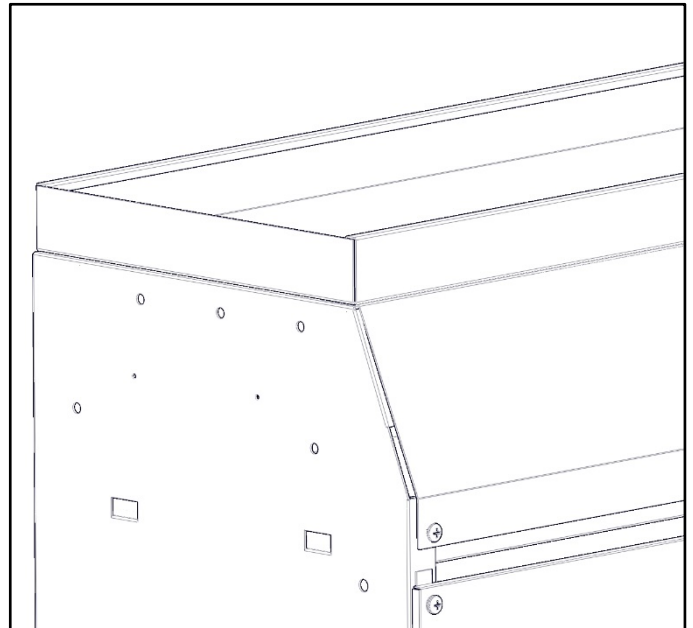
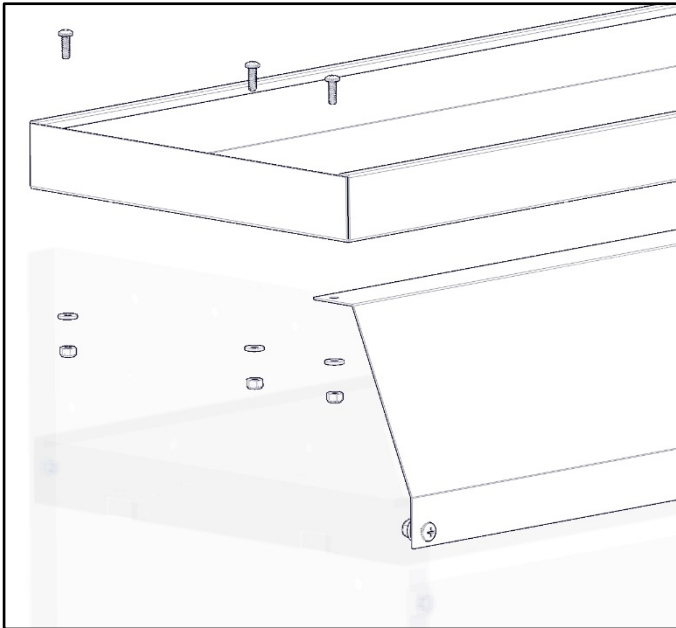
Step 2 – Mount Top Back Panel

- Place Top Back Panel (B) flush against the backside of shelf unit. Bolt through the pemnut where previous bolt was removed.
- Bolt together using a 1/4" x 3/4" phillips head (1), a 1/4" flat washer (2) and a 1/4" nyloc (3)
- Repeat on both sides.
- Snug Tighten, but allow movement.



Step 3 – Mount Top Shelf

- Place Top Shelf (A) on top of assembled shelf unit with the Top Back Panel (B).
- Bolt Top Shelf (A) through Top Back Panel (B) and through the top of the shelf assembly using three #10 x 9/16" phillips head bolt (4), #10 flat washer (5) and a #10 nyloc (6) on each side.
- Repeat on opposite side
- Snug Tighten, but allow movement.



Step 4 – Align and Square

- Align and square top shelf to your liking.

GO BACK AND TIGHTEN
ALL BOLTS
YOUR INSTALLATION IS
NOW COMPLETE

