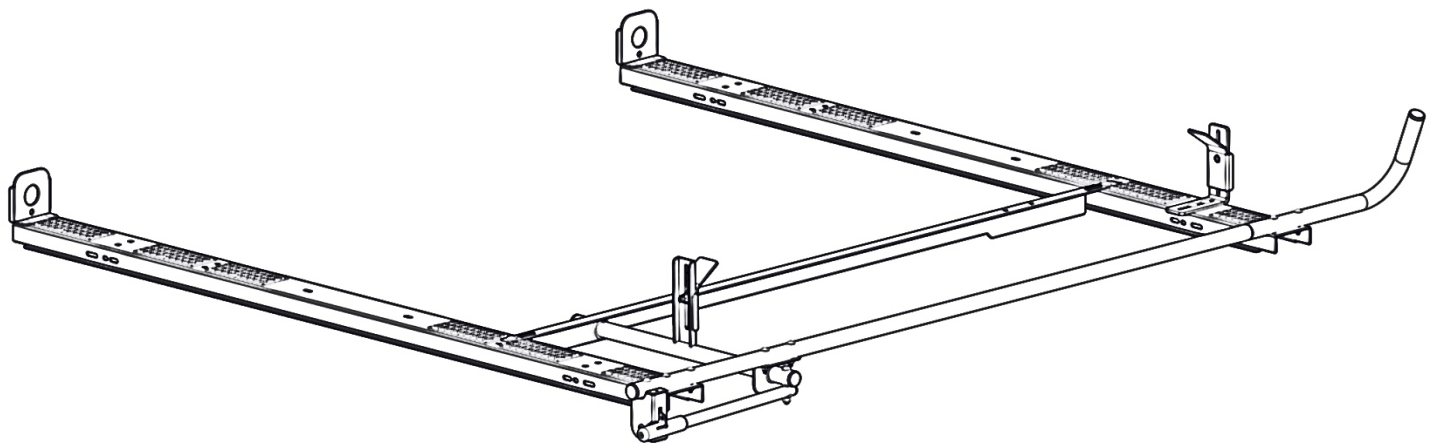




WE PUT EVERYTHING WITHIN REACH.

Instruction Guide

4A82L



Kargo Master
Rancho Cordova, CA 95742
800-343-7486
CustomerService@KargoMaster.com

*** PLEASE READ ALL INSTRUCTIONS AND WARNINGS PRIOR TO ASSEMBLING, INSTALLING, AND USING THIS PRODUCT. ***

Warning



DO NOT EXCEED MANUFACTURERS WEIGHT CAPACITY FOR ROOF.



BE SURE LADDER IS SECURE PRIOR TO TRANSPORTATION. Ladder stops MUST press against ladder in all situations.

Tools Needed

1/2", 9/16" Sockets and Wrench	1/2", 9/16" Box Wrenches
--------------------------------	--------------------------

Table of Contents

Parts 2

Hardware..... 3

Step 1 – Install End Stops 5

Step 2 – Attach Bows to Feet 6

Step 3 – Install Side Tube 7

Step 4 – Install Hanger Bracket 8

Step 5 – Attach Clamp Tube and L-Bracket..... 9

Step 6 – Mount Handle 10

Step 7 – Mount Latch Assembly..... 11

Step 8 – Install Ladder Hook to Bow 11

Angle Pad Orientations and Locations 13

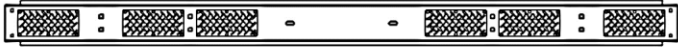

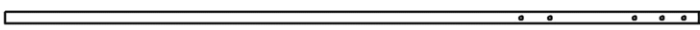


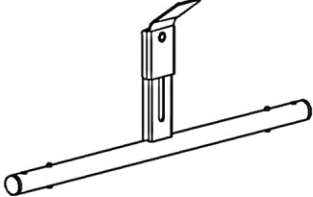


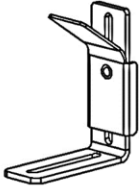

Clamp Mechanism Orientation and Angled Pad Positions 13

Examples of Ladder Clamps Firmly Against Ladder Rungs..... 13

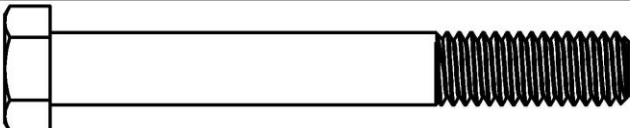
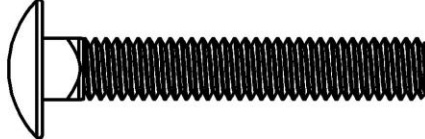
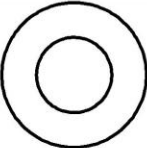

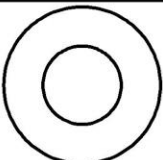
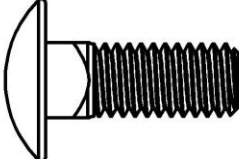
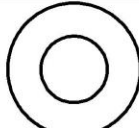

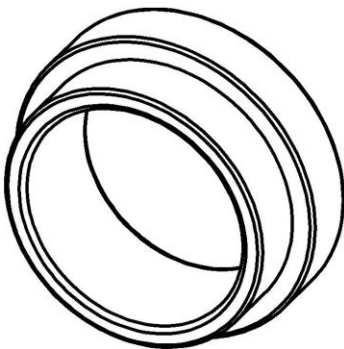
Before You Begin

- Read all instructions prior to assembling or installing any Kargo Master product.
- Have vehicle specific mount kit installed on vehicle.
- Most times it is easier to assemble on top of the roof, after the mount kit has been installed.
- **DO NOT EXCEED MANUFACTURERS WEIGHT CAPACITY FOR ROOF.**
- **Be sure to adjust ladder clamps accordingly to secure ladder firmly to rack. To adjust, refer to Clamp and Lock adjustment guide.**

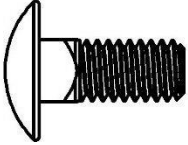
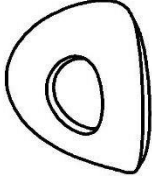
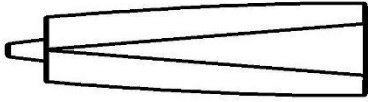
Parts

NO.	ITEM	PART NUMBER	DESCRIPTION	QTY.
1		4A90L-11	BOW ASSEMBLY	2
2		4A800-52-R	SIDE SUPPORT BAR	1
3		4A800-51	SIDE TUBE ASM	1
4		4A800-00-003-R	CLAMP AND LOCK L BRACKET	1
5		4A900-10-008	END STOP	2
6		4A800-30	CLAMP TUBE	1
7		11-03027-A	HANGER ANGLE BRACKET	1
8		4A800-20	LATCH ASM	1
9		4A800-60	LADDER STOP ASSEMBLY	1
10		4A800-40	HANDLE	1
11		18-4A800	ALUMINUM CLAMP N LOCK ASSEMBLY HARDWARE	1

Hardware

ITEM NO.	TO SCALE	PART NUMBER	DESCRIPTION	QTY.
1		91247A636	3/8" x 3" Hex Head	1
2		90185A591	5/16" x 2" Carriage Bolt	7
3		90295A170	3/8" Nylon Washer	1
4		95615A140	3/8" Lock Nut	5
5		90126A031	3/8" Flat Washer	5
6		90185A624	3/8" x 1" Carriage Bolt	4
7		90126A030	5/16" Flat Washer	11
8		95615A160	5/16" Lock Nut	11
9		40800-10-007	Nylon Bushing	2

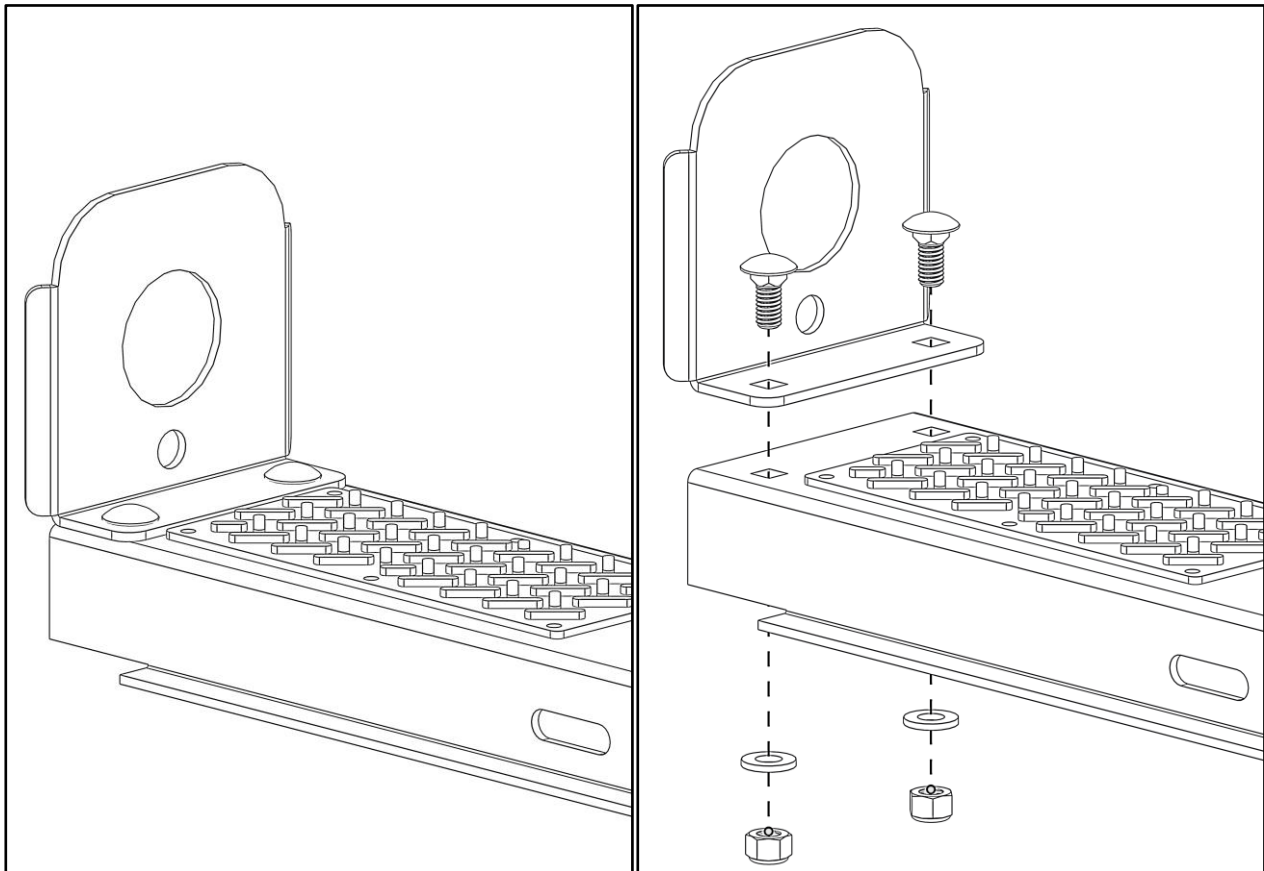
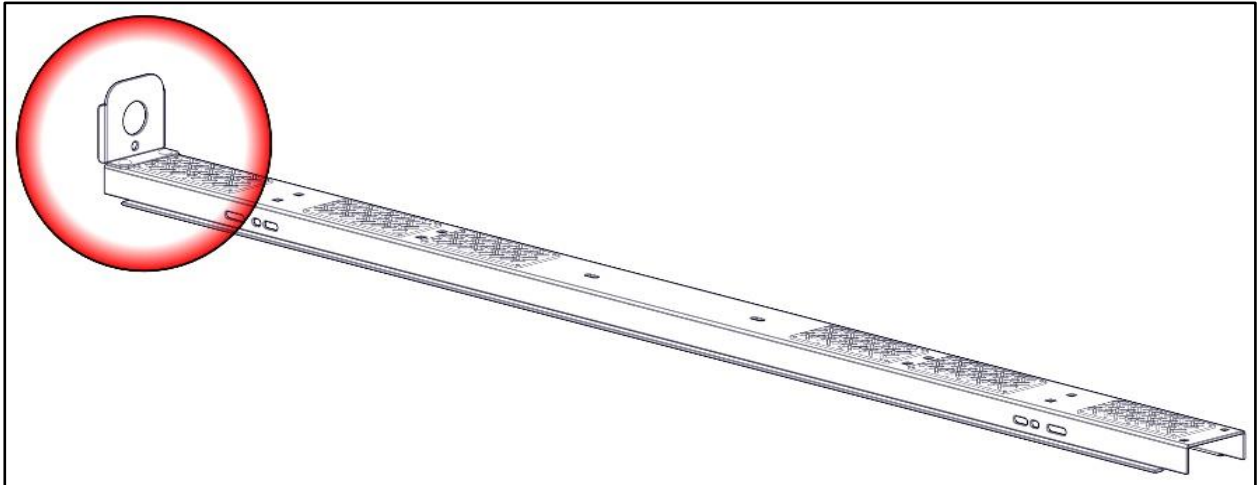
Hardware (Continued)

ITEM NO.	TO SCALE	PART NUMBER	DESCRIPTION	QTY.
10		90185A581	5/16" x 3/4" Carriage Bolt	4
11		91844A370	3/8" Contour Washer	1
		BH-821	SEALANT	1

Step 1 – Install End Stops

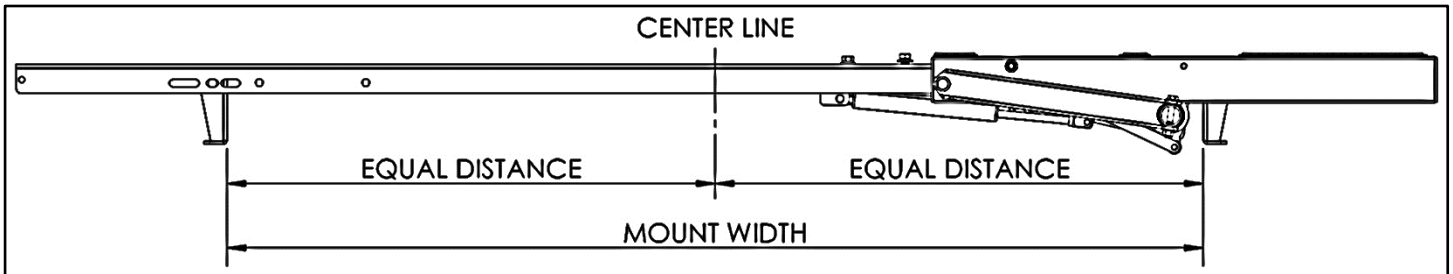
Skip this step if installing a drivers side ladder rack.

- Bolt end stops to one end of each bow using 5/16" x 3/4" carriage bolts, 5/16" washers and 5/16" lock nuts in the location and orientation shown.
- TIGHTEN.

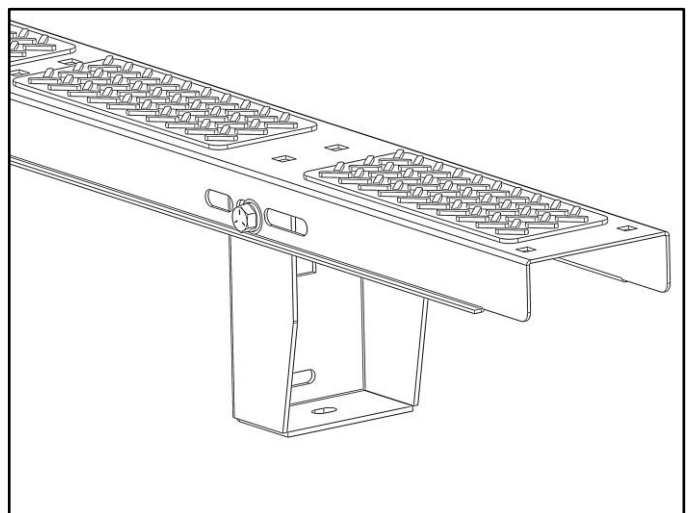
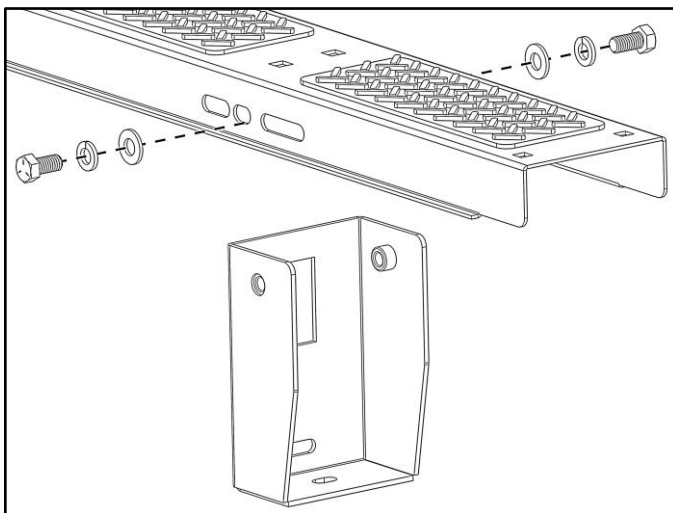
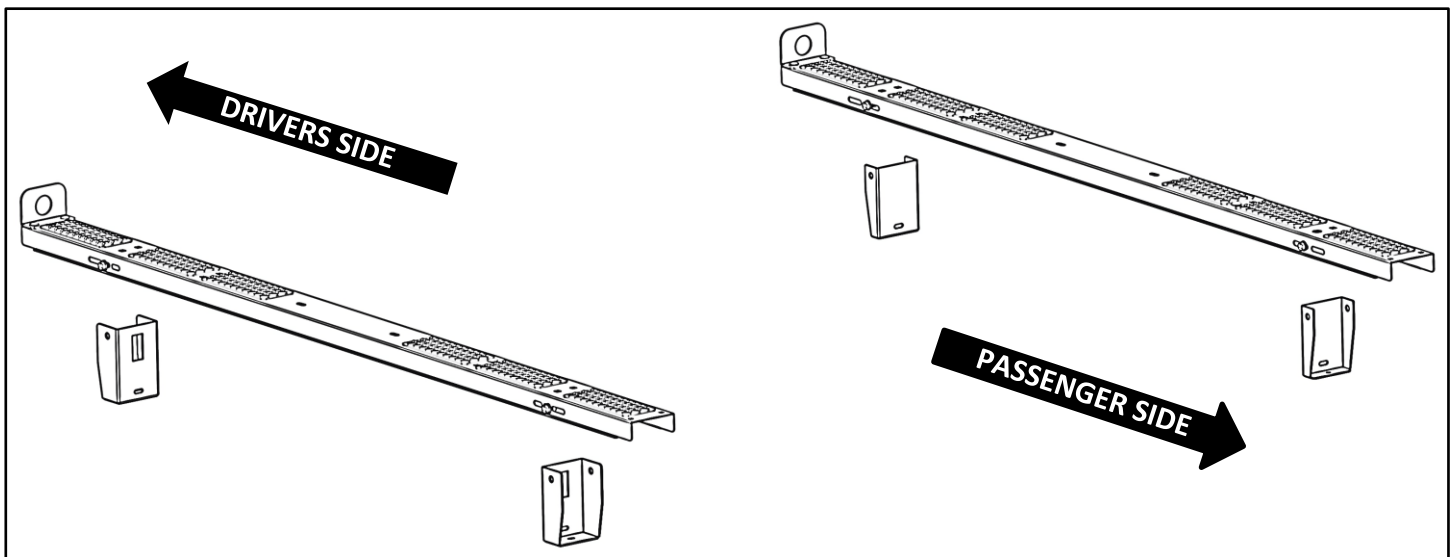


Step 2 – Attach Bows to Feet

- Have the vehicle specific mounting installed on the vehicle.
- Place each bow on top of the feet in the orientation shown. The driver side of the bow is the side with the end stops installed.
- Center the bow on the van and the feet. Use the hardware from the mount kit to attach the bow to the feet.
- TIGHTEN.

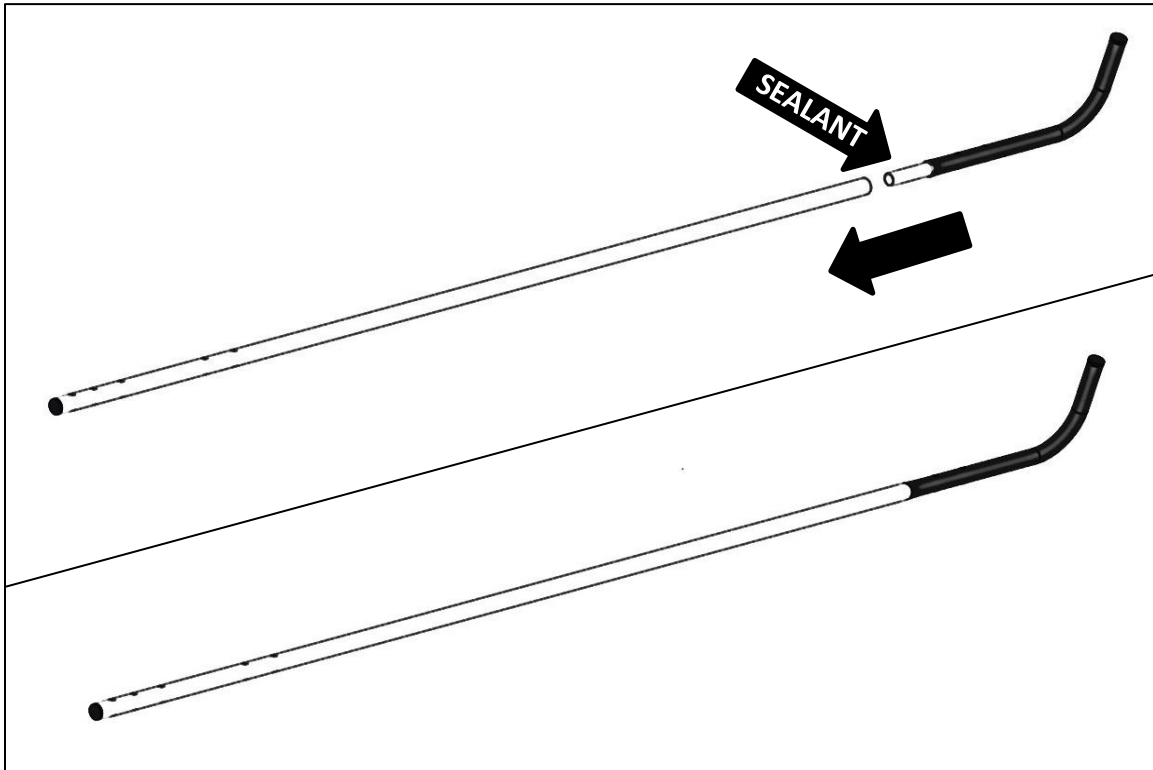


****Bows and feet may vary from the image shown below, but the installation is the same****

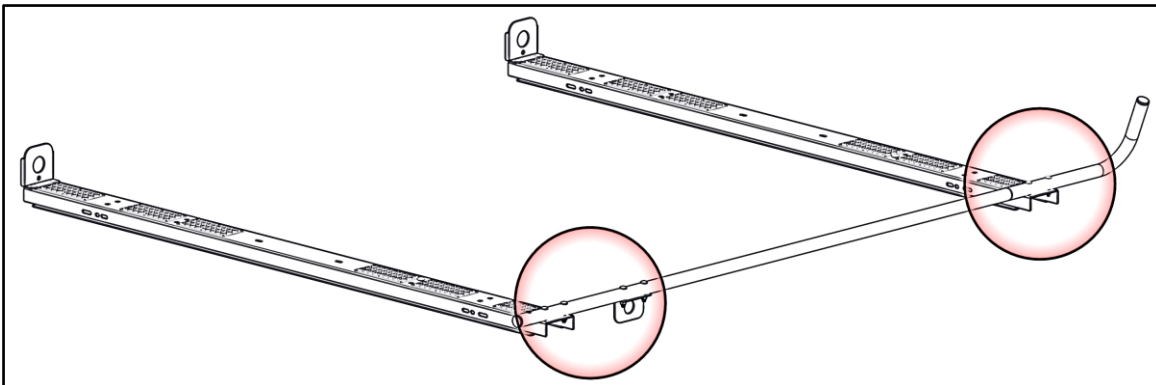


Step 3 – Install Side Tube

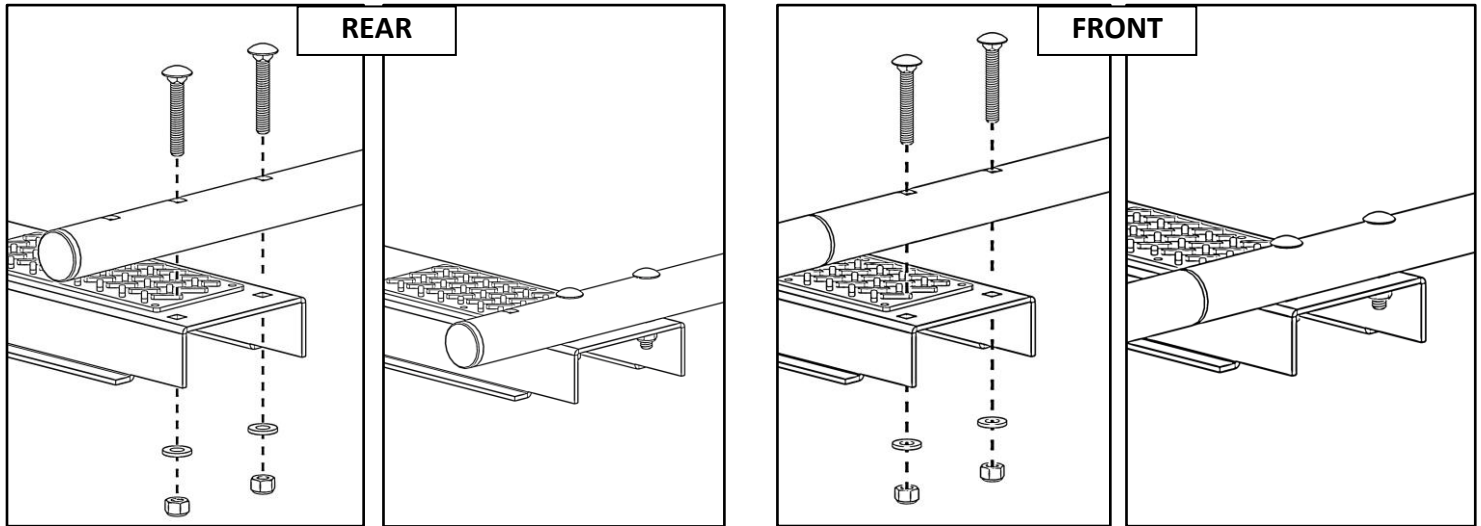
- Place sealant around swaged end of side support bar.
- Slide side support bar into side tube assembly. **Be sure the holes in each line up.**



- Place side tube assembly on top of the installed bows.
- Have the bend towards the front and to the outside of the vehicle.

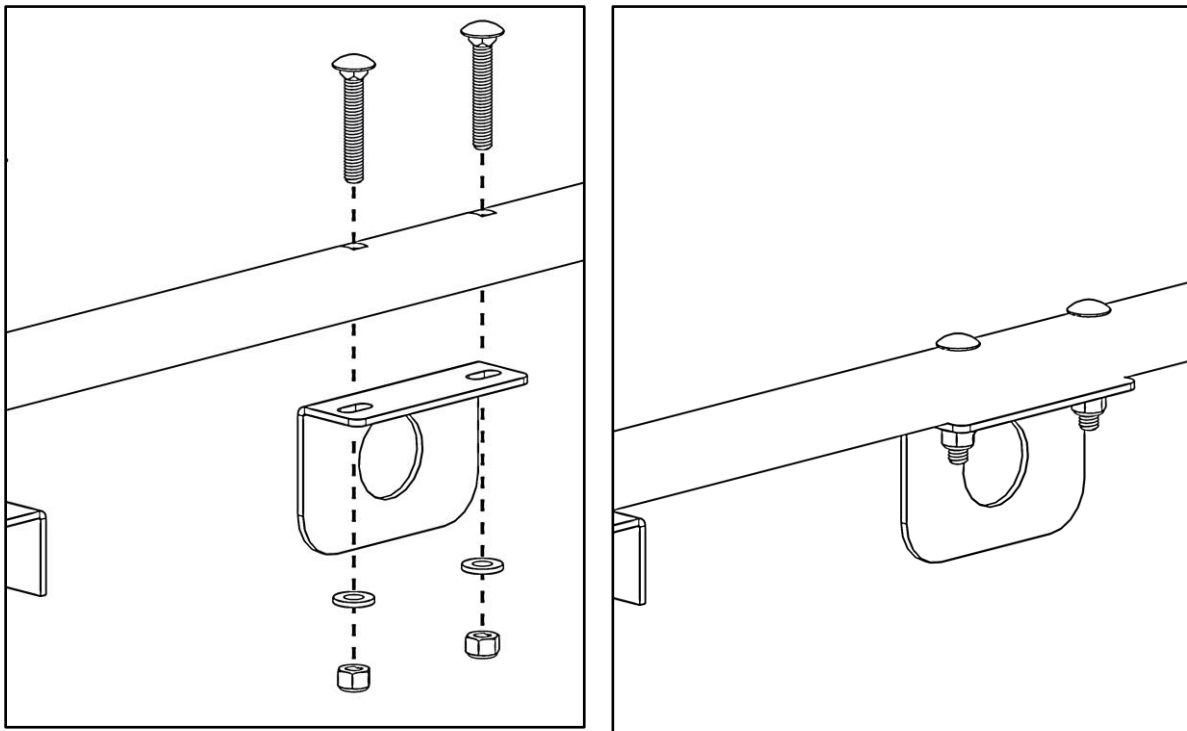


- Using 5/16" x 2" carriage bolts, 5/16" flat washers and 5/16" lock nuts, fasten the side tube assembly to both pans. Be sure to leave one square slot open at the rear of the side tube.
- Snug tighten, but allow movement.



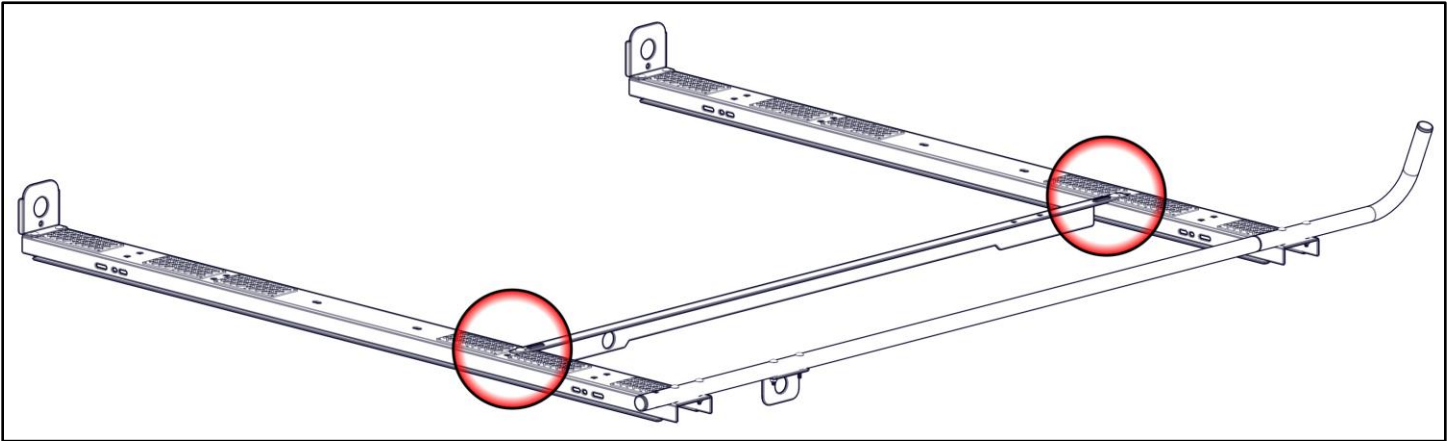
Step 4 – Install Hanger Bracket

Using 5/16" x 2" carriage bolts, 5/16" flat washers and 5/16" lock nuts, bolt the angle bracket to the underside of the side tube as shown. **Be sure the downward flanges is towards center of vehicle and downwards.**

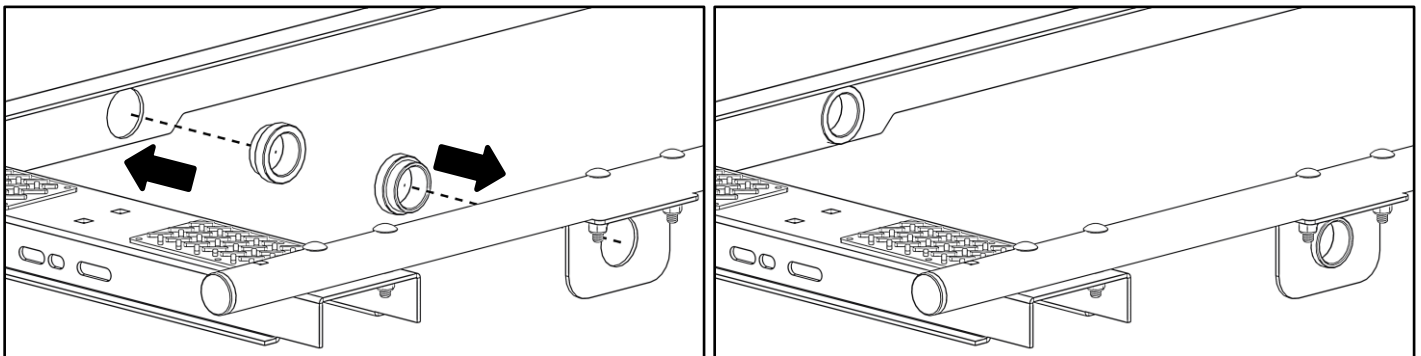


Step 5 – Attach Clamp Tube and L-Bracket

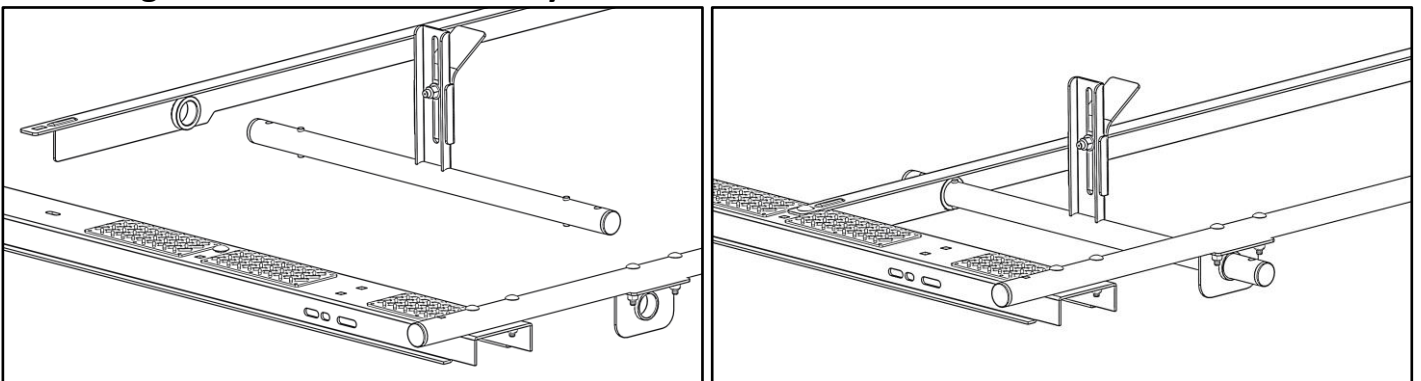
- Place clamp and lock L bracket on top of installed bows. Be sure to have the long flange of the L bracket to the center of the vehicle.



- Insert the plastic bushings into the clamp and lock L bracket and angle bracket installed in Step 5, with flange towards each other and to the inside as shown.

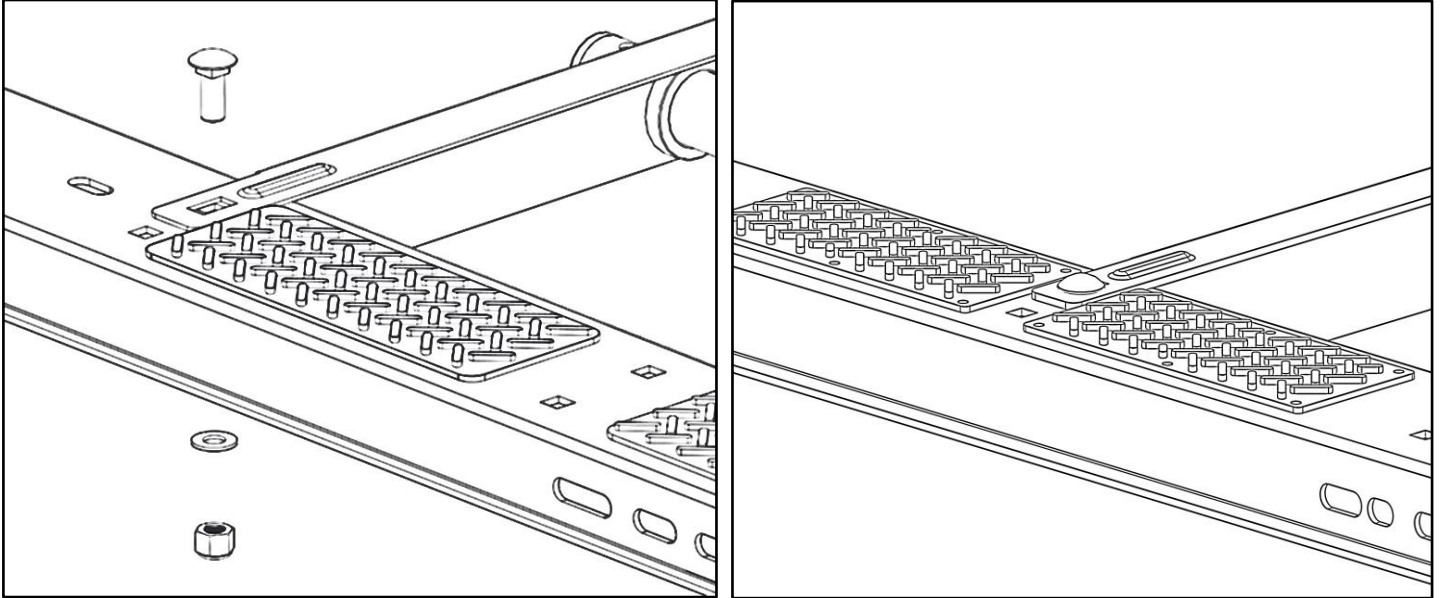


- Insert clamp tube into both plastic bushings in the orientation shown. **Be sure to install the bushings in an orientation so they CANNOT fall out.**



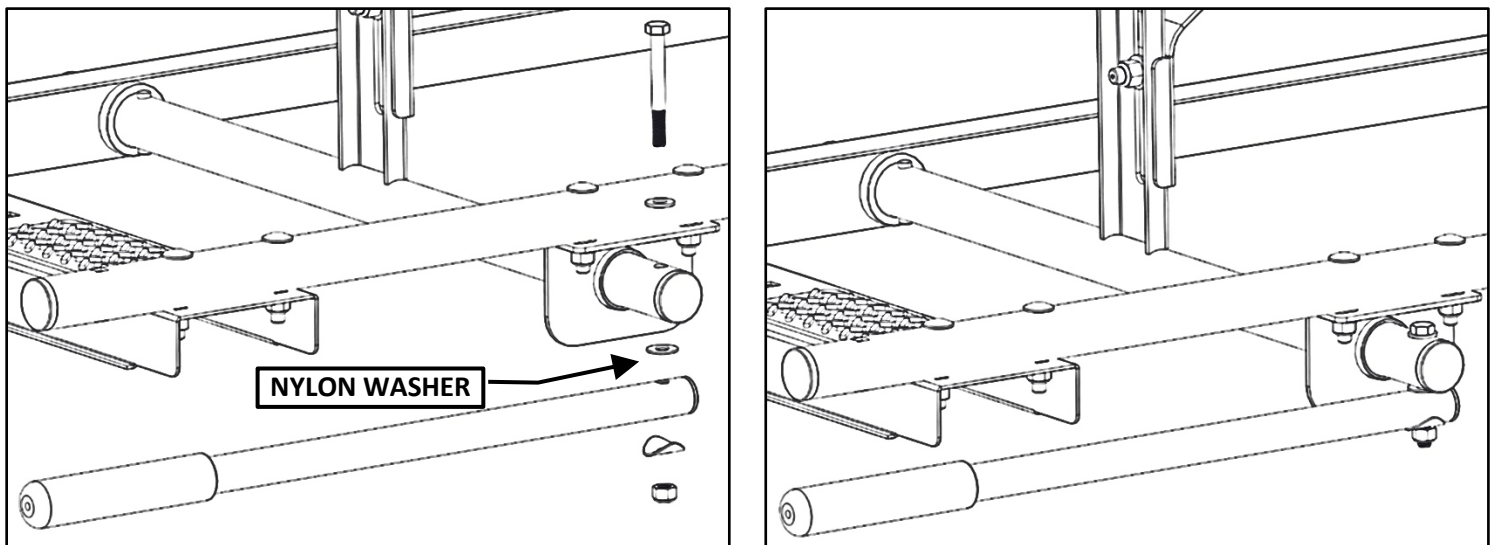
Ladder clamp on the clamp tube is adjustable. When finished installing rack, clamp must be adjusted to fit firmly against ladder.

- Bolt clamp and lock L bracket to both bows using 3/8" x 1" carriage bolts, 3/8" flat washers and 3/8" lock nuts as shown.
- Repeat on opposite bow.
- TIGHTEN.



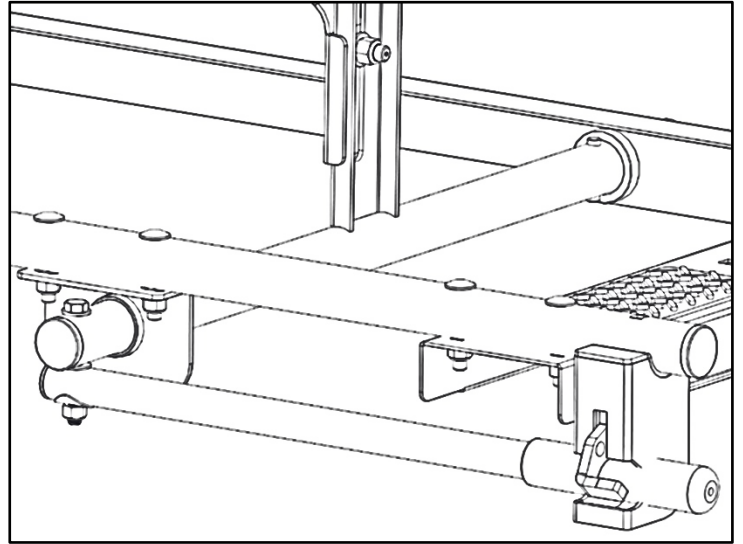
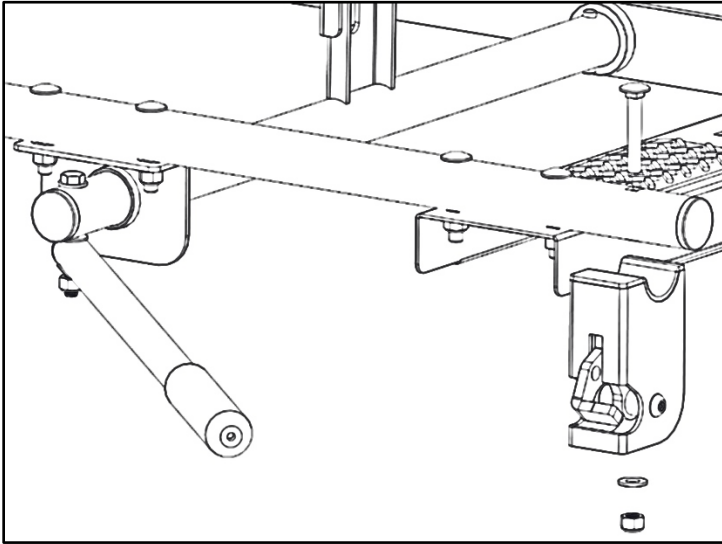
Step 6 – Mount Handle

- Bolt handle to clamp tube using a 3/8" x 3" hex head, 3/8" flat washers, 3/8" nylon washer, 3/8" curved washer and a 3/8" lock nut. The nylon washer goes in between the clamp tube and handle.
- TIGHTEN.



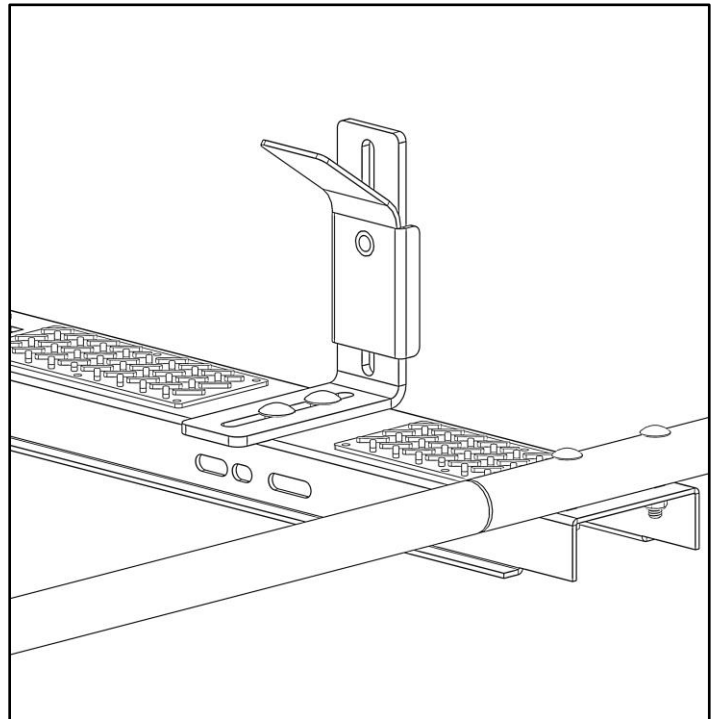
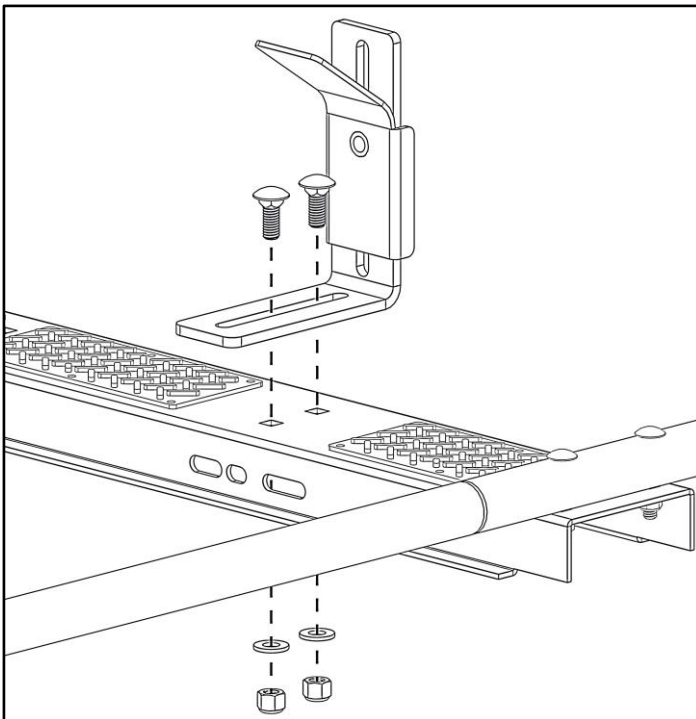
Step 7 – Mount Latch Assembly

- Bolt latch to the rear of the mount tube that was installed in Step 5 using 5/16" x 2" carriage bolt, 5/16" curved washer and a 5/16" lock nut.
- TIGHTEN.



Step 8 – Install Ladder Hook to Bow

- Bolt the ladder hook bracket to the front bow in the orientation shown using two 3/8" x 1" carriage bolts, two 3/8" flat washers and two 3/8" lock nuts.
- TIGHTEN.
- **Adjust ladder hooks to fit ladder.**

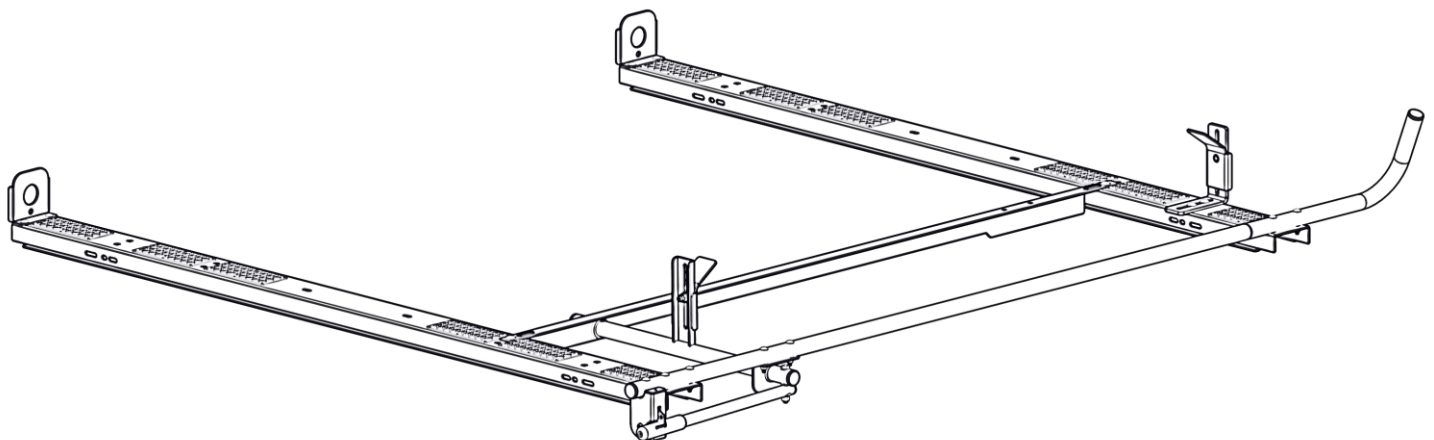


GO BACK AND ENSURE ALL HARDWARE IS TIGHT.

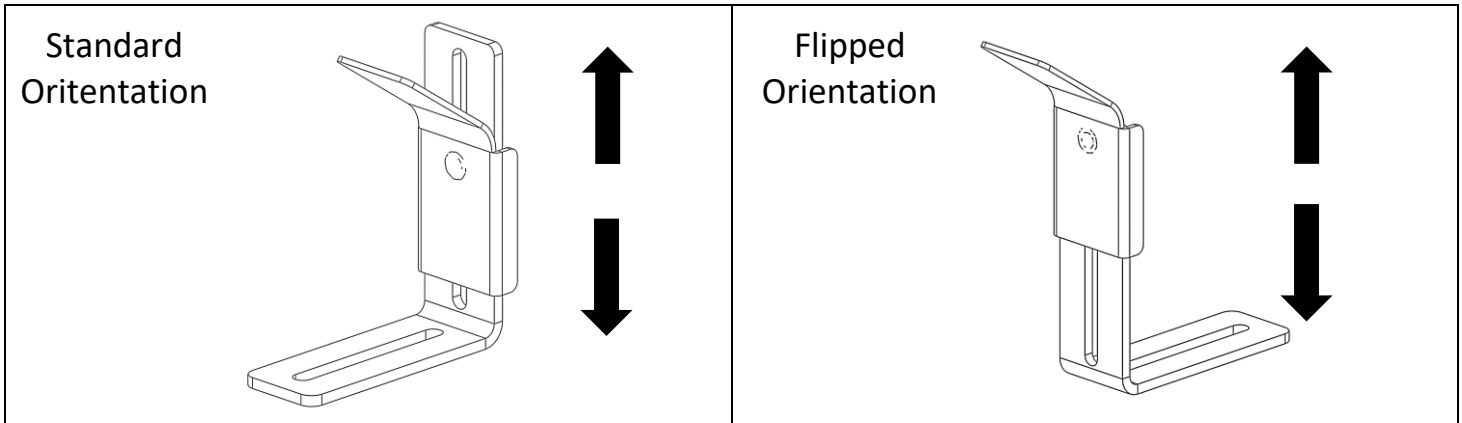
YOUR INSTALLATION IS NOW COMPLETE.

Refer to the Clamp and Lock Adjustment instructions to adjust the rack to your ladder.

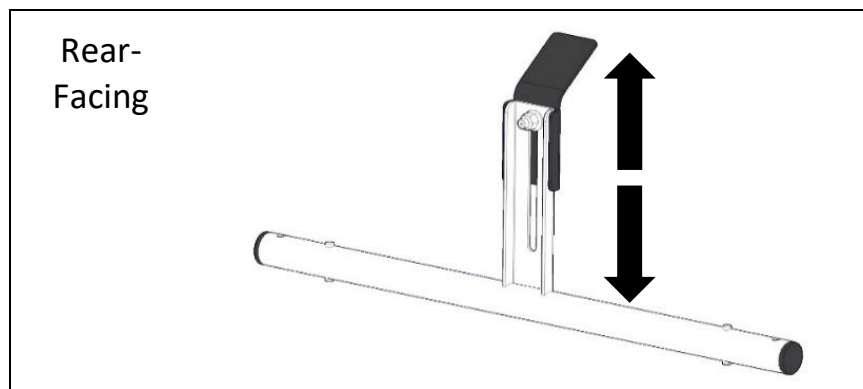
ALWAYS BE SURE LADDER IS SECURE PRIOR TO TRANSPORTATION.



Angle Pad Orientations and Locations

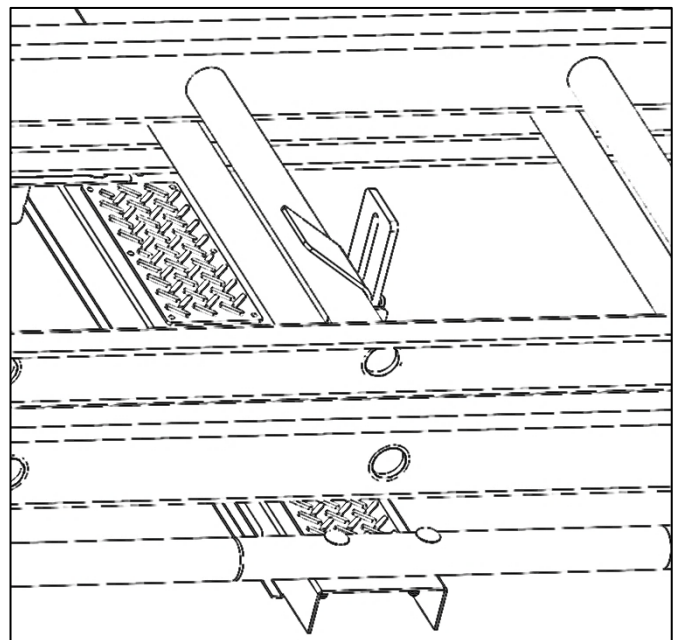
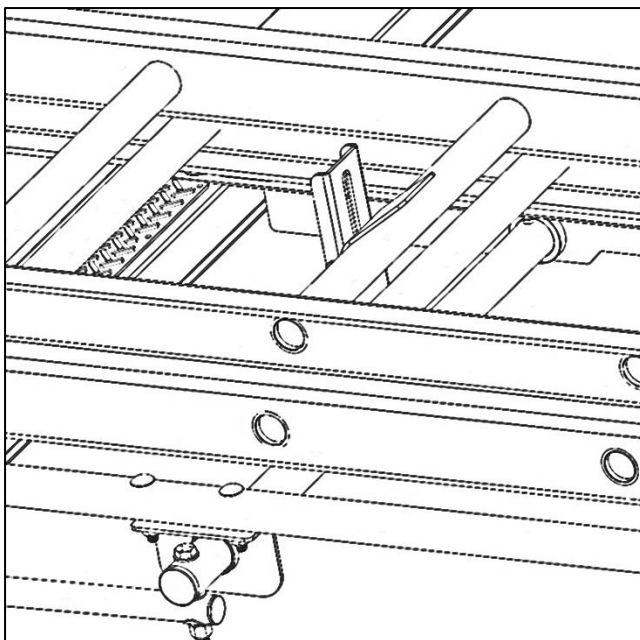


Clamp Mechanism Orientation and Angled Pad Positions



Examples of Ladder Clamps Firmly Against Ladder Rungs

- Be sure to position the ladder hook in a way so the hook clamps the ladder tight into place. A tight fit ensures the ladder cannot fall off the rack.



**** BE SURE THE LADDER HOOKS ARE FIRMLY AGAINST THE LADDER STEPS OR RUNGS. ****