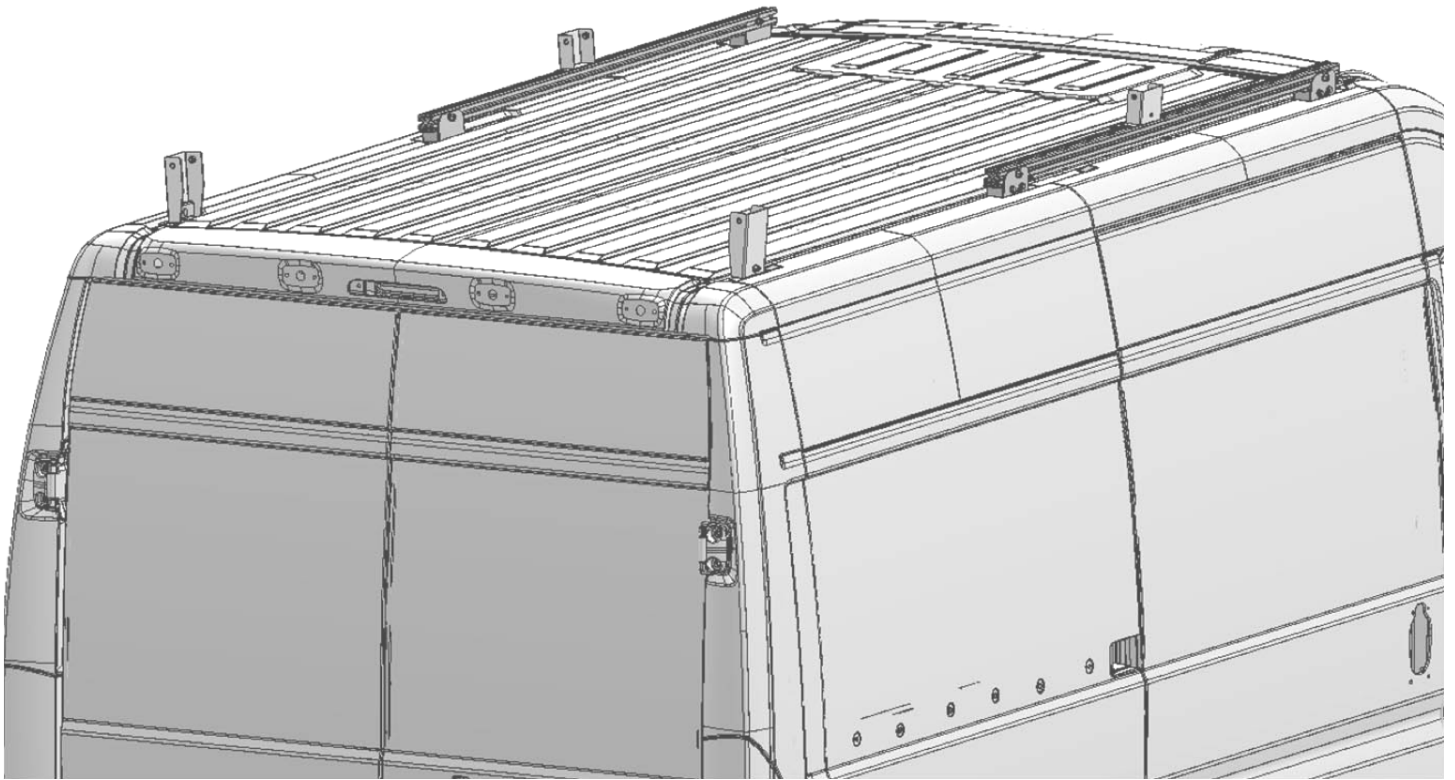

Holman

Instruction Guide

4081P



Holman
Rancho Cordova, CA 95742
800-343-7486
InstallationSupport@Holman.com

*PLEASE READ ALL INSTRUCTIONS AND WARNINGS PRIOR TO ASSEMBLING,
INSTALLING, AND USING THIS PRODUCT*

Warning



Always check for wires, fuel tanks and lines, brake lines and other important vehicle functionality items prior to drilling and installing all products.

Tools Needed

1/2" Socket and Wrench	7/16" Socket and Wrench
1/8" Allen Hex	9/16" Socket and Wrench
Tape Measure	


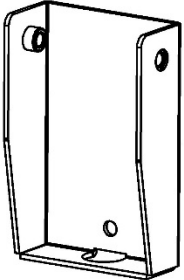
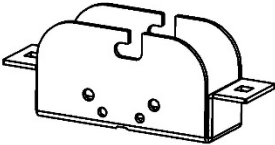
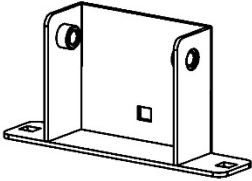
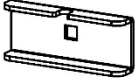
Table of Contents

Parts List	3
Hardware List	4-5
Step 1 – Prepare Mount Brackets	6
Step 2 – Find Front Mount Locations	6
Step 3 – Install Mount Blocks	7
Step 4 – Prepare Extrusion	8
Step 5 – Install Extrusion	8
Step 6 – Install Tall Feet	9
Step 7 – Install Short Feet	10
Step 8 – Set Short Feet Distance	11
Step 9 – Mount Feet to Rack	12

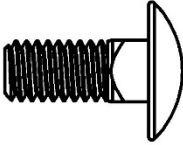
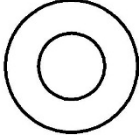

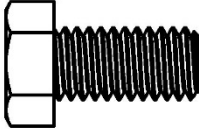
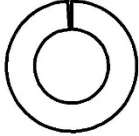
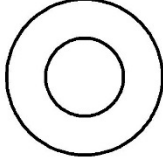
Before You Begin

- Read all instructions.
- Follow assembly instructions found with the rack to assemble and install rack.
- **DO NOT EXCEED MANUFACTURERS WEIGHT CAPACITY FOR ROOF.**



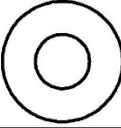

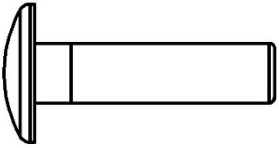
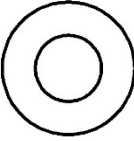

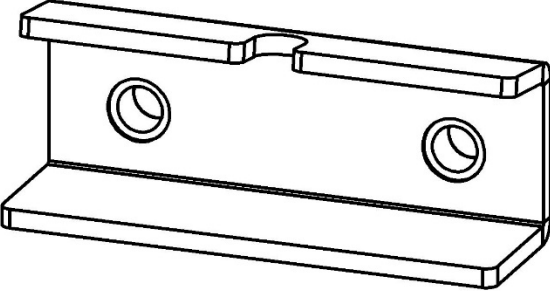
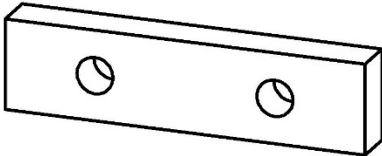
Parts

ITEM NO.		PART NUMBER	DESCRIPTION	QTY.
A		40818-20-001-R1	62in Extrusion	2
B		40818-25	Tall Foot	2
C		40818-20-003-R2	Extrusion-Foot Bracket	4
D		40818-10	Short Foot	2
E		40818-20-007-R1	Clamp Bracket	2
		18-40818-FT-R2	Foot Bolt Kit	1
		18-40818-P	Promaster Bolt Kit	1

Hardware (18-40818-FT-R2)

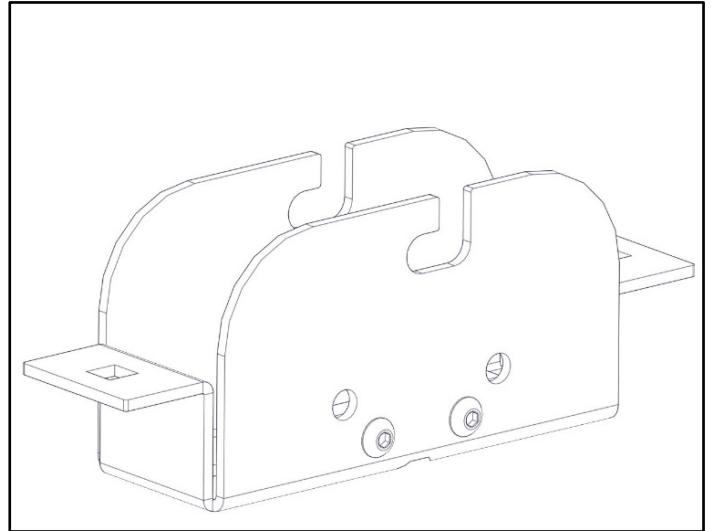
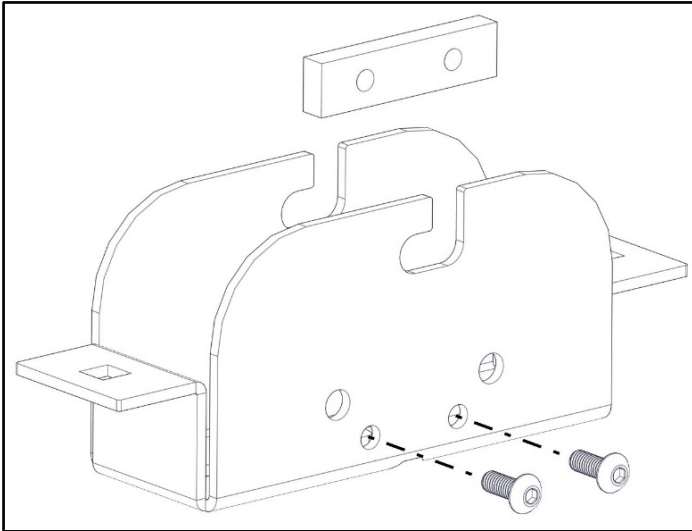
ITEM NO.	TO SCALE	PART NUMBER	DESCRIPTION	QTY.
1		90185A581	5/16"-18 x 3/4" Carriage Bolt	12
2		90126A030	5/16" Flat Washer	12
3		95615A160	5/16"-18 Nyloc	12
4		92865A622	3/8"-16 x 3/4" Hex Head	8
5		91102A760	3/8" Split Lock Washer	8
6		90126A031	3/8" Flat Washer	8

Hardware (18-40818-P)

ITEM NO.	TO SCALE	PART NUMBER	DESCRIPTION	QTY.
1		92865A541	1/4"-20 x 1-1/2" Hex Bolt	8
2		91102A029	1/4" Lock Washer	8
3		90126A029	1/4" Flat Washer	8
4		91306A356	No.10-32 x 1/2" Cap Screw	8
5		90185A589	5/16"-18 x 1-1/4" Carriage Bolt	2
6		90126A030	5/16" Flat Washer	2
7		95615A160	5/16"-18 Nyloc	2
8		40818-23	Clamp	4
9		40818-20-006-R1	Threaded Block	4

Step 1 – Prepare Mount Brackets

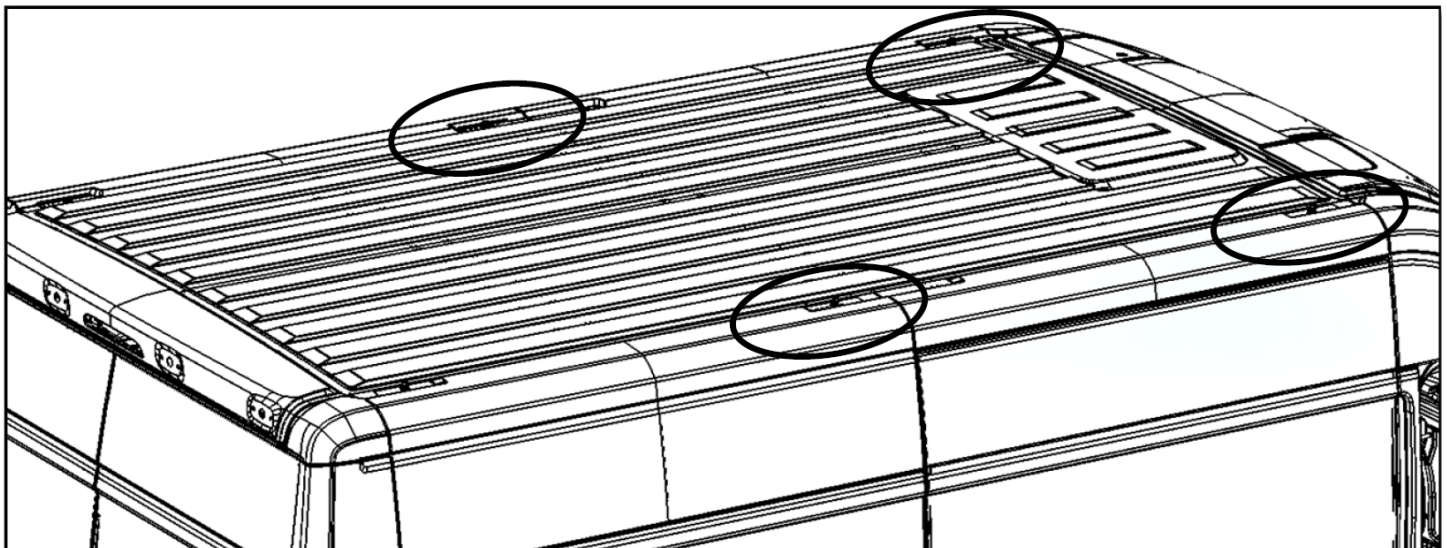
- Attach threaded block inside extrusion foot bracket using #10-32 x 1/2" button head cap screws as shown.
- Repeat for all four extrusion foot brackets.
- Tighten.



Step 2 – Find Front Mount Locations

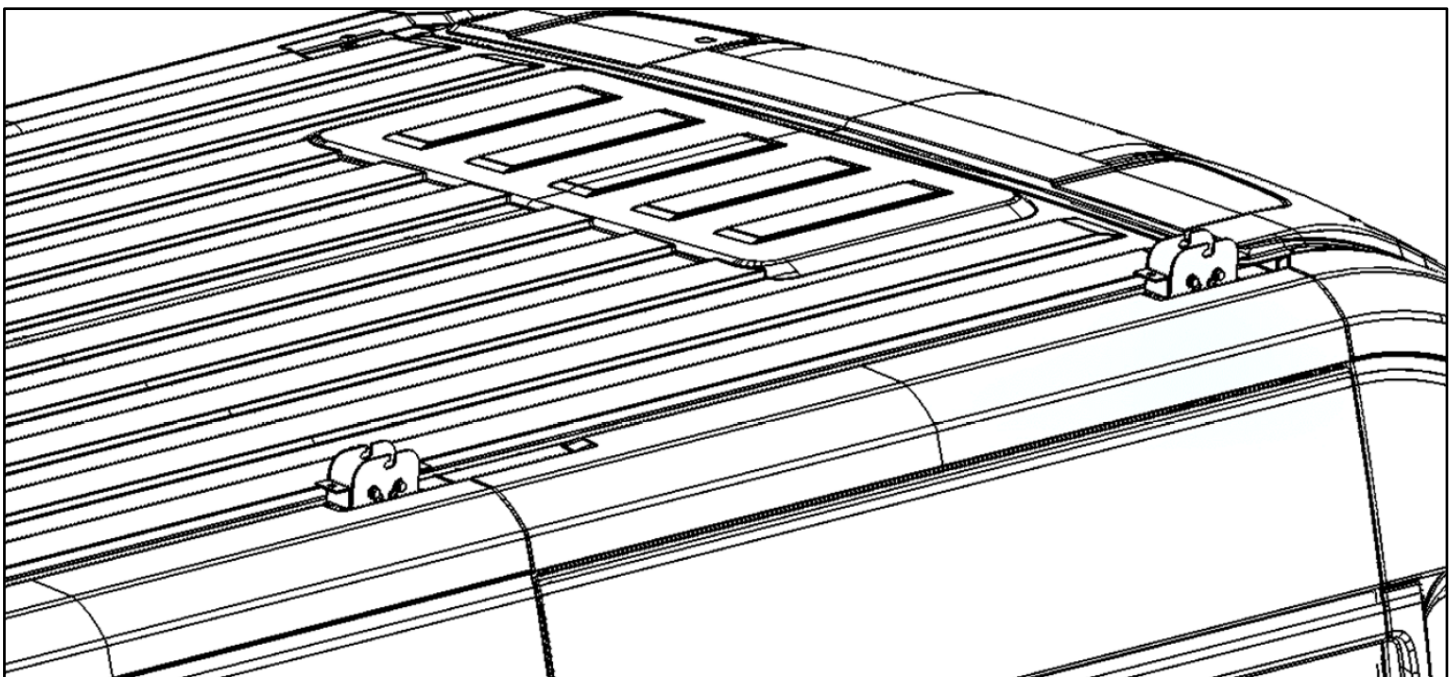
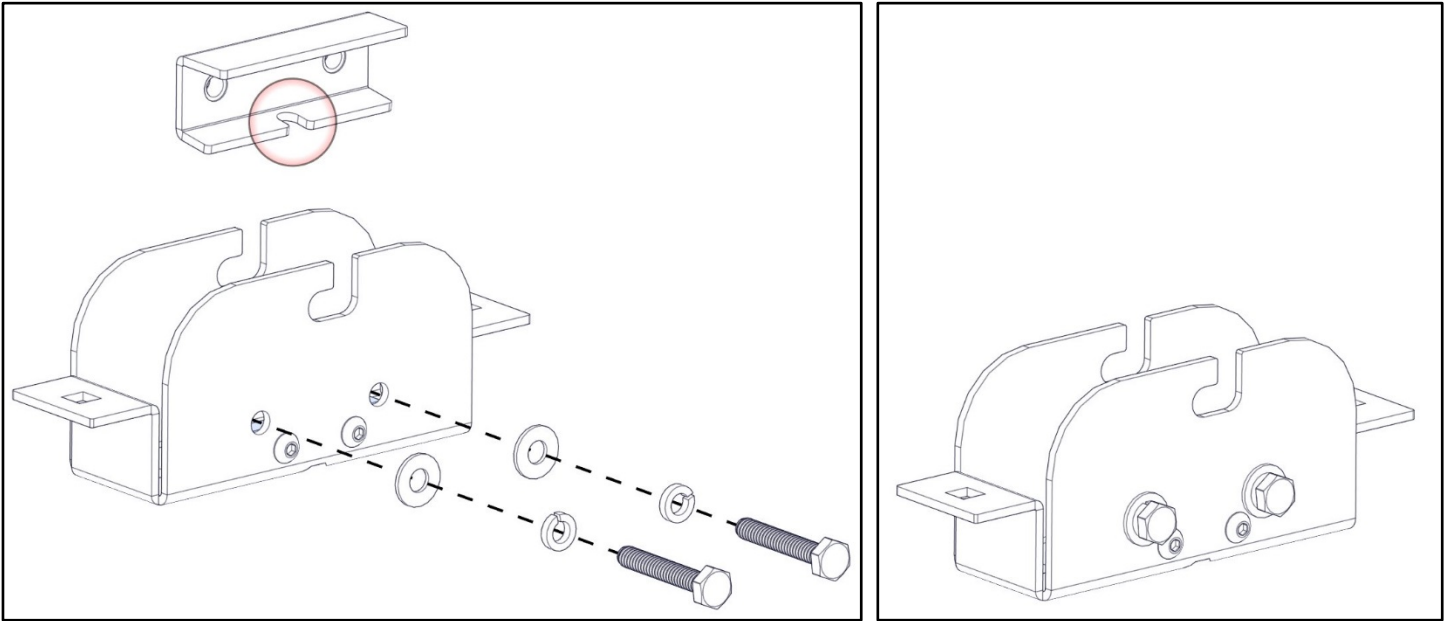
- Locate the forward two mounting locations on each side of van. This is where the mounting blocks will be mounted.

Note: This picture shows on a 136" wheel base, high roof van.



Step 3 – Install Mount Brackets

- Set mount bracket assembly over the “T” stud extruding from the top of the roof at the locations found in the previous step.
- Insert the clamp so the slot goes under the head of the “T” stud.
- Bolt through the bracket assembly and into the clamp using two 1/4" x 1-1/2" hex bolts, two 1/4" split lock washers and two 1/4" flat washers as shown.
- DO NOT OVER TIGHTEN. Some movement may be needed to install extrusions.
- Repeat at the remaining 3 forward mounting locations.

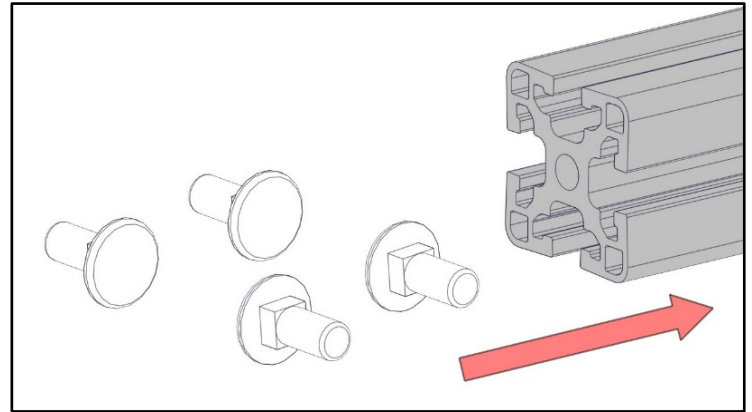


Step 4 – Prepare Extrusion

- Slide two 5/16" x 3/4" carriage bolts on opposite sides of the extrusion.

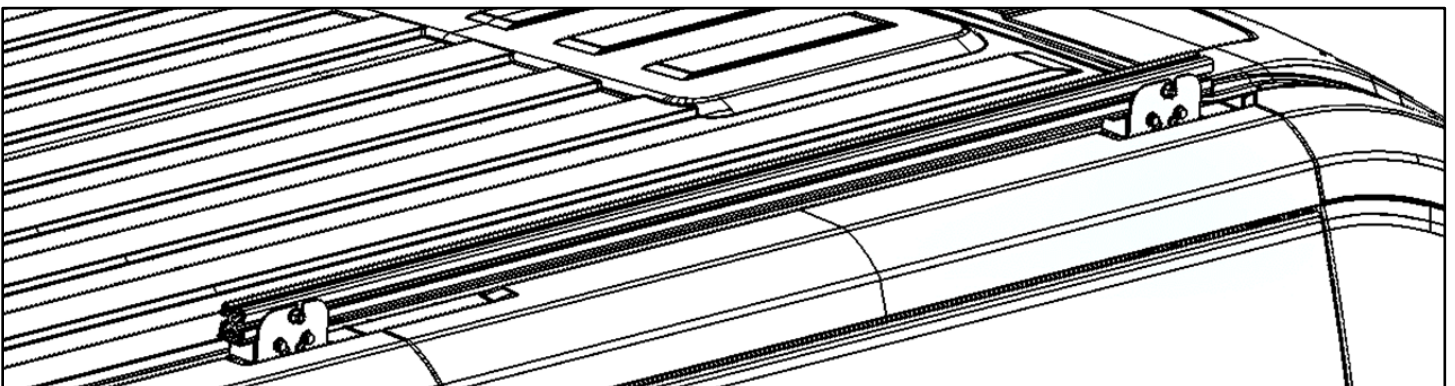
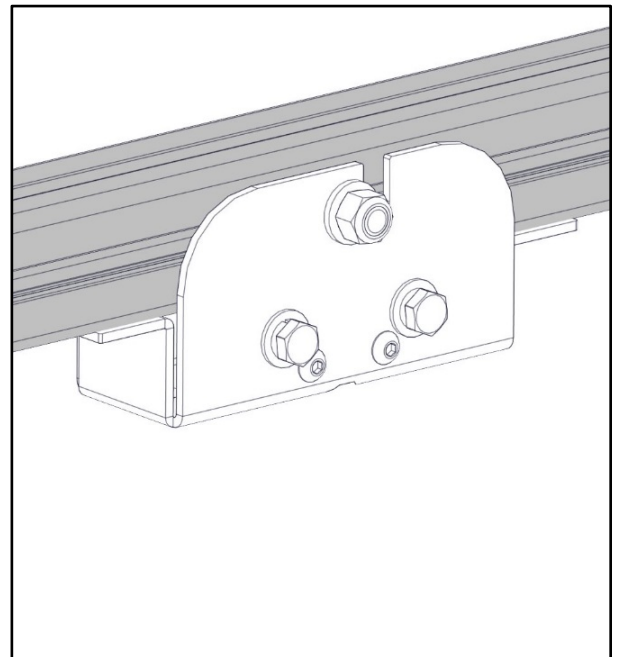
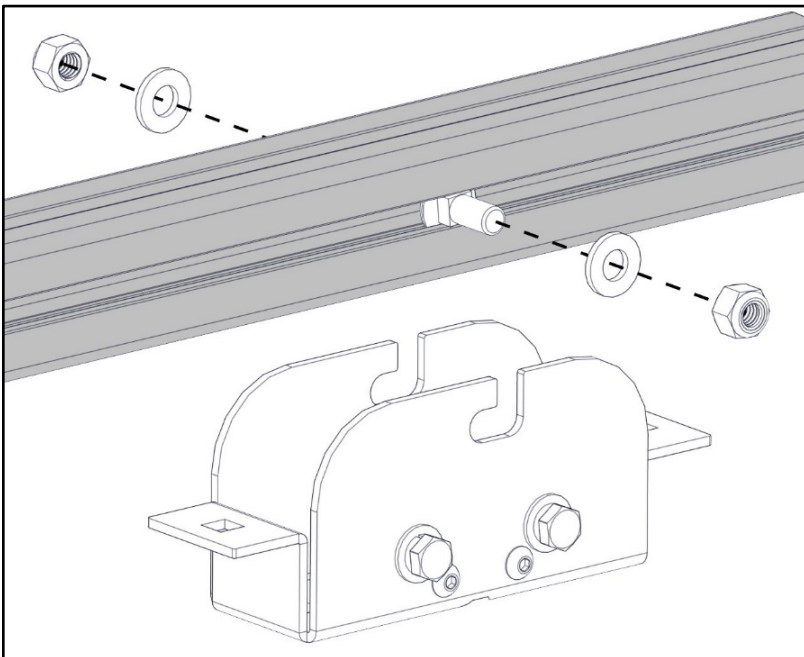
Note: These are the shorter carriage bolts in the hardware kits.

- Repeat on each extrusion, for a total of eight carriage bolts on two extrusions.



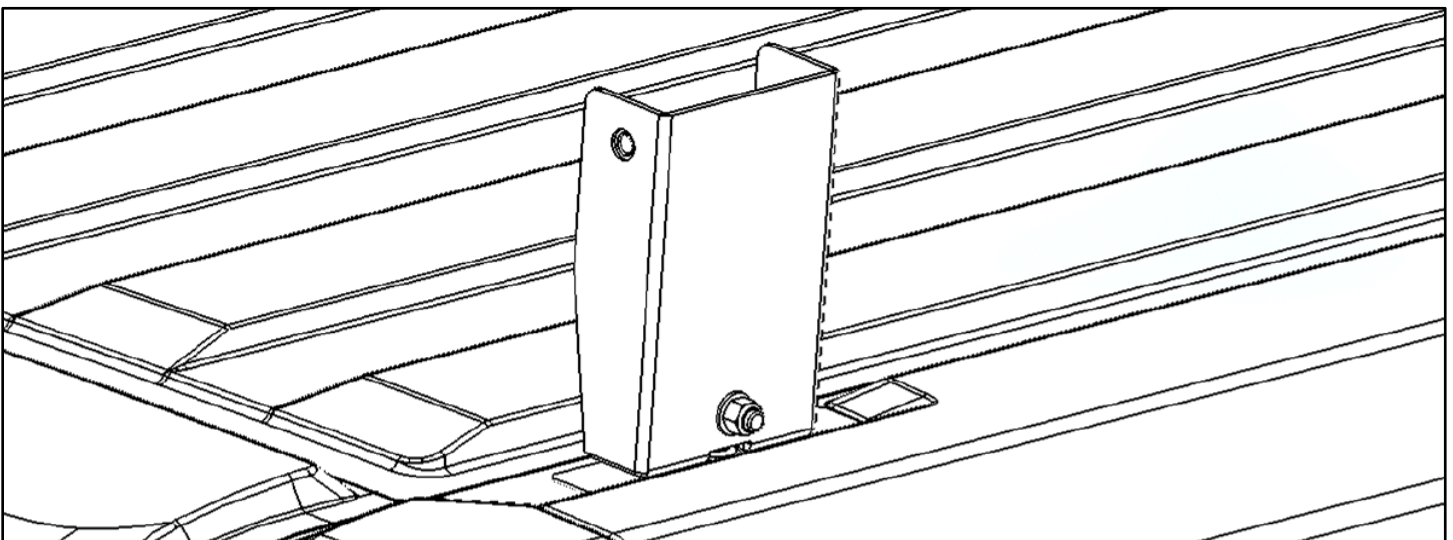
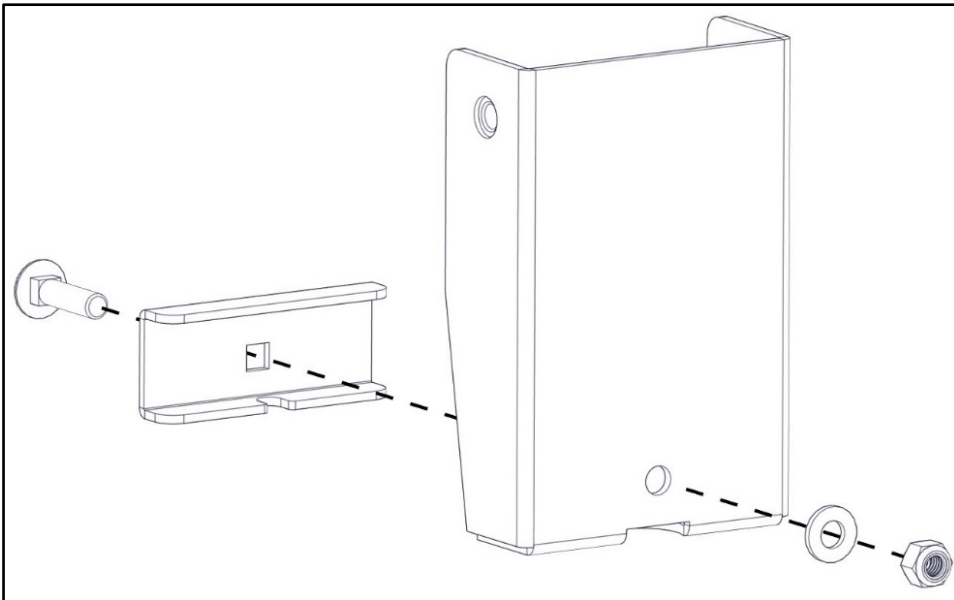
Step 5 – Install Extrusion

- Place extrusion with carriage bolts onto the mount brackets that were installed in step 3.
- Align the carriage bolts with the slot on the mount brackets as shown.
- Secure mount brackets to the carriage bolts using 5/16" flat washers and a 5/16" nyloc nuts.
- Snug Tighten, but allow movement.



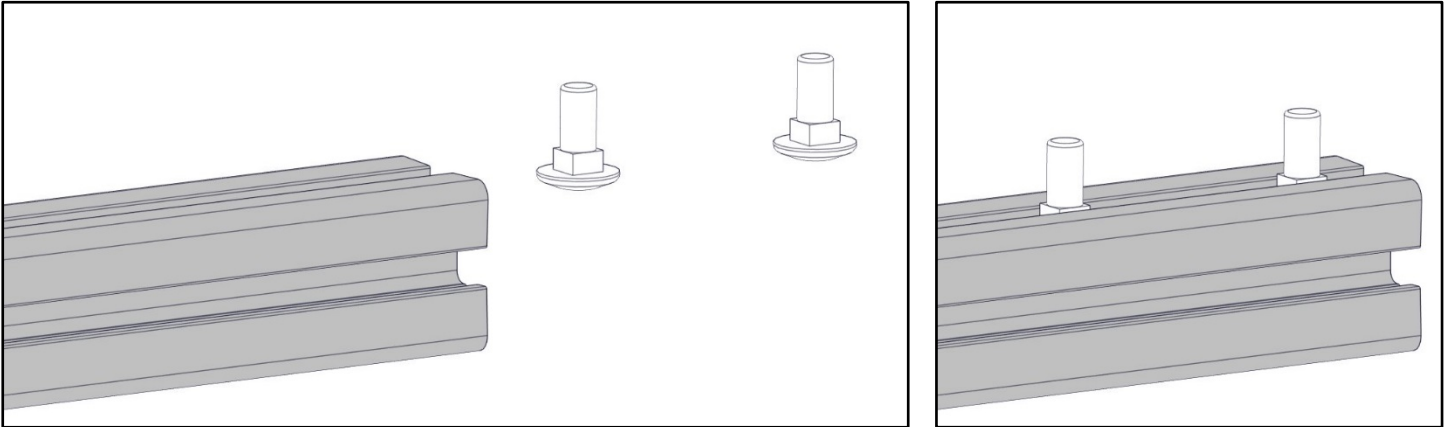
Step 6 – Install Tall Feet

- Locate the “T” stud at the rear of the roof.
- Place the rear foot over the “T” stud at the rear of the roof.
- Insert clamp bracket so the slot goes under the head of the “T” stud.
- Bolt through the clamp bracket and the tall foot using a 5/16” x 1-1/4” carriage bolt, a 5/16” flat washer and a 5/16” nyloc nut in the order shown.
- DO NOT OVER TIGHTEN. Some adjustability may be needed until rack is installed on the vehicle.
- Repeat on other side.

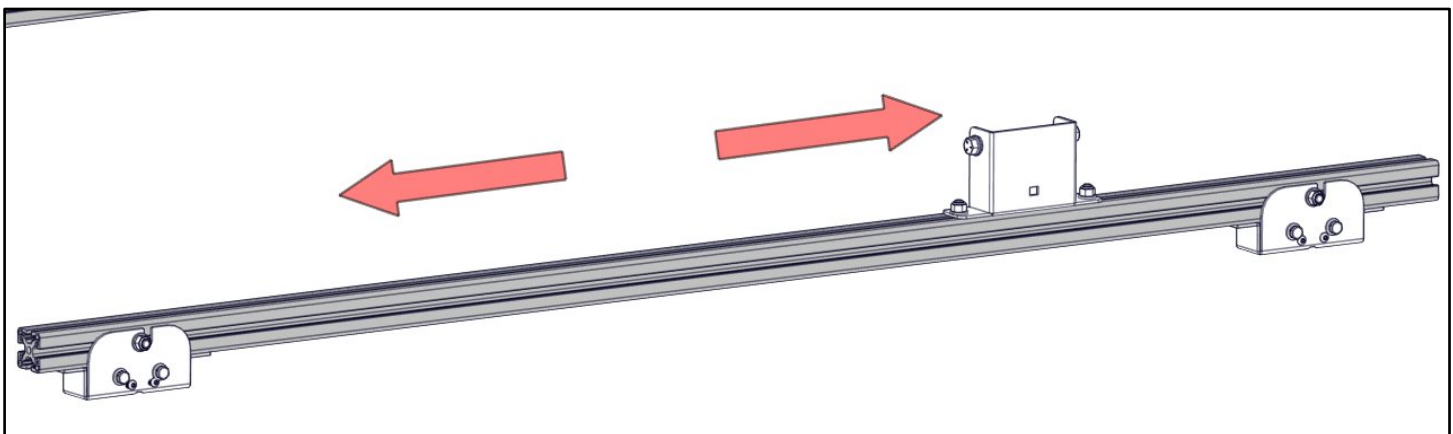
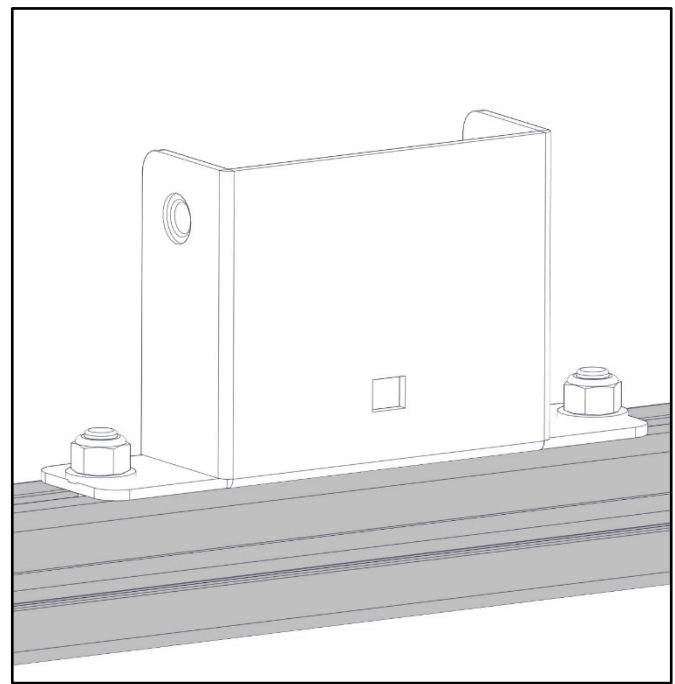
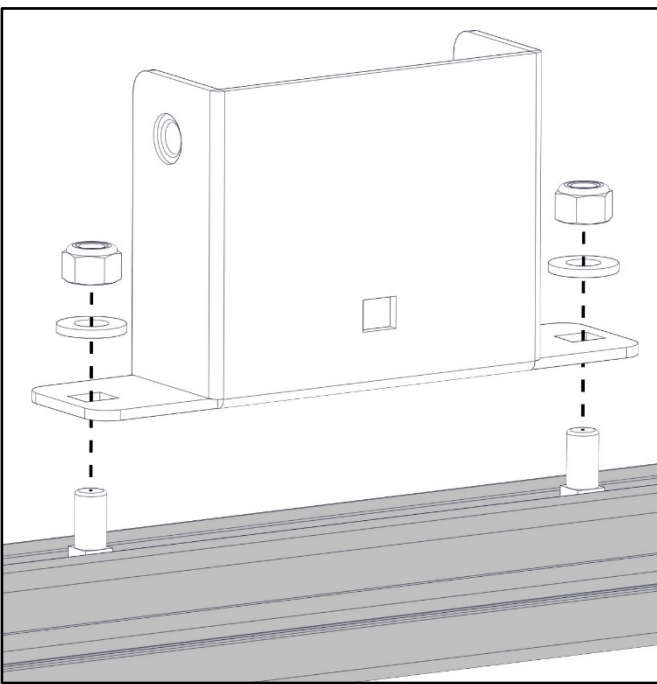


Step 7 – Install Short Feet

- Slide two 5/16" x 3/4" carriage bolts into the top slots of both mounted extrusions.

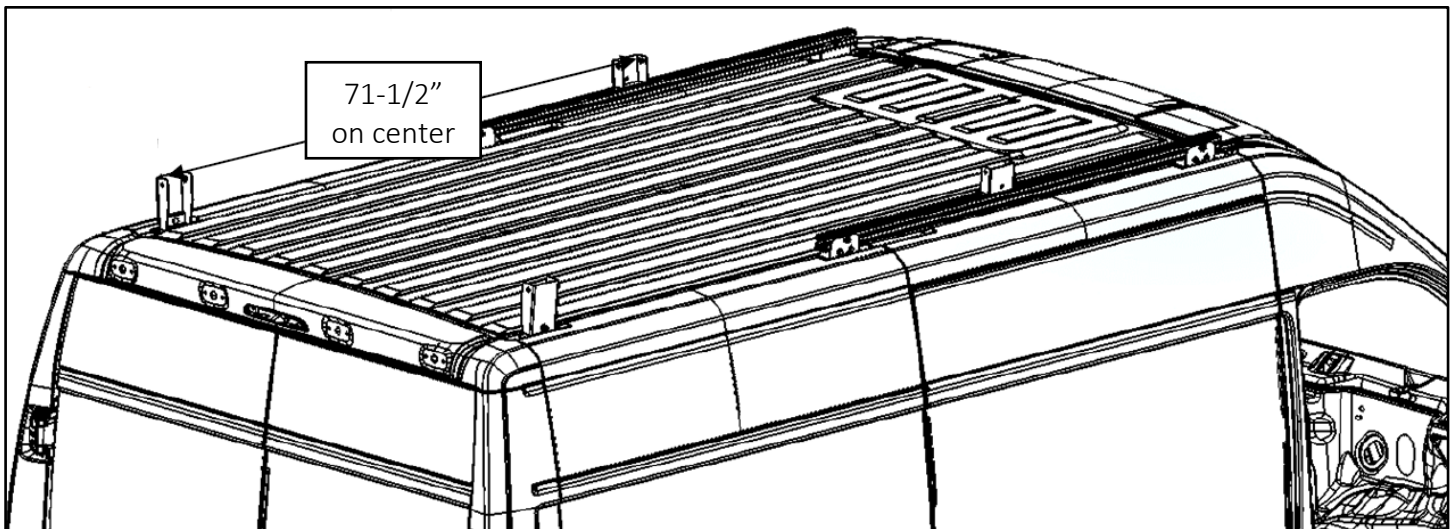


- Place the small feet over these carriage bolts.
- Secure feet to carriage bolts using 5/16" flat washers and 5/16" nyloc nuts.
- DO NOT TIGHTEN, some adjustment will be needed.

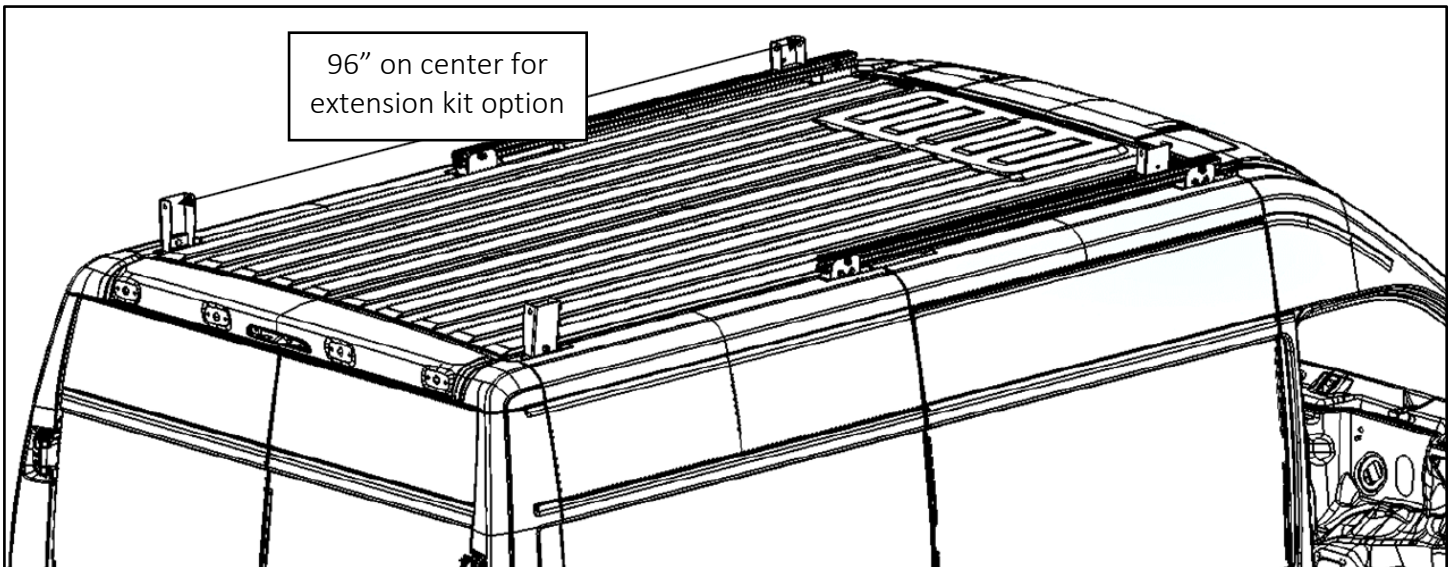


Step 8 – Set Short Feet Distance

- If NOT using the optional ladder rack extender, set the distance between rear and front feet to 71-1/2".

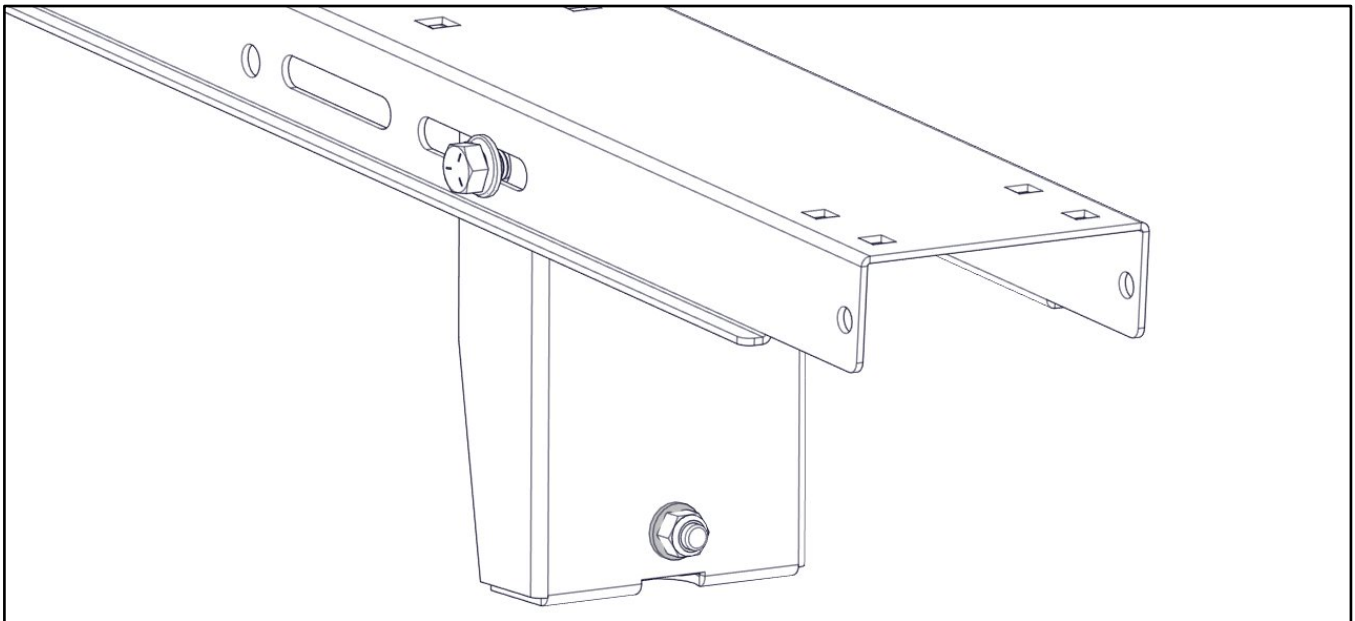
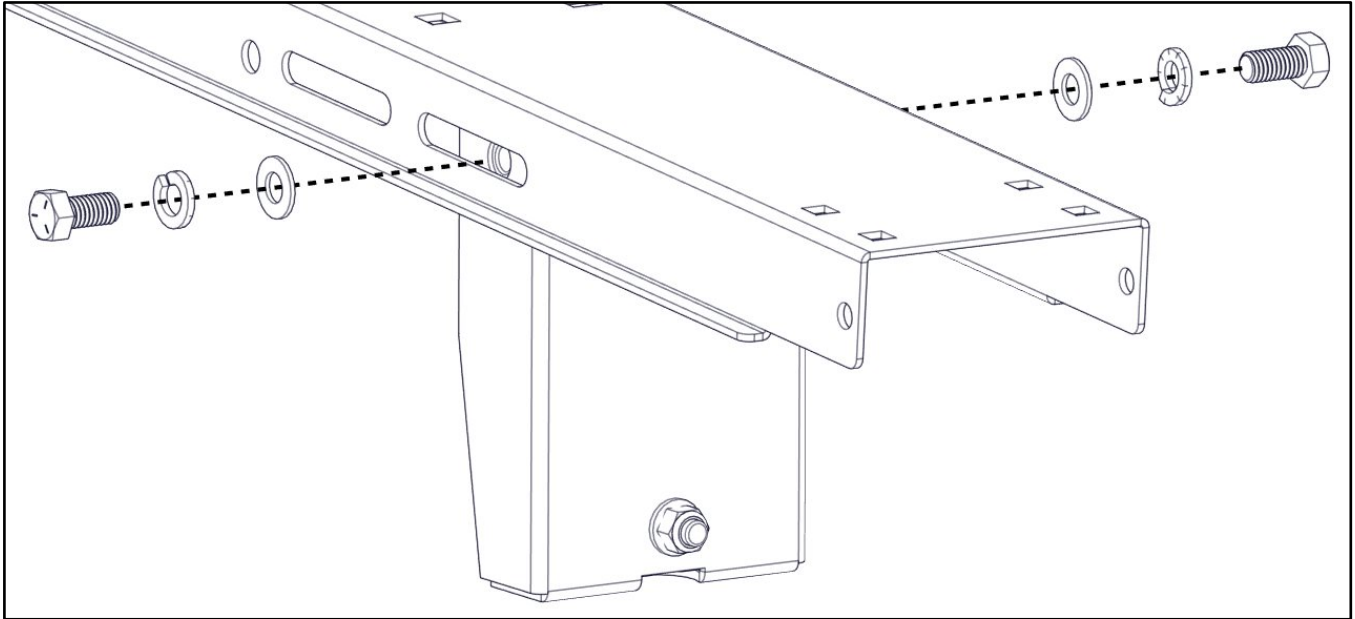


- If using the optional ladder rack extender, set the set the distance between rear and front feet to 96".



Step 9 – Mount Feet to Rack

- Determine if the rack is being assembled on the vehicle or if the rack will be assembled off the vehicle and set on top of the installed feet.
- In either case, bolt the bows from the rack to feet using 3/8"-16 x 3/4" hex head, a 3/8" lock washer and a 3/8" flat washer in order shown.



GO BACK AND ENSURE ALL HARDWARE IS TIGHT

Installation is now complete

