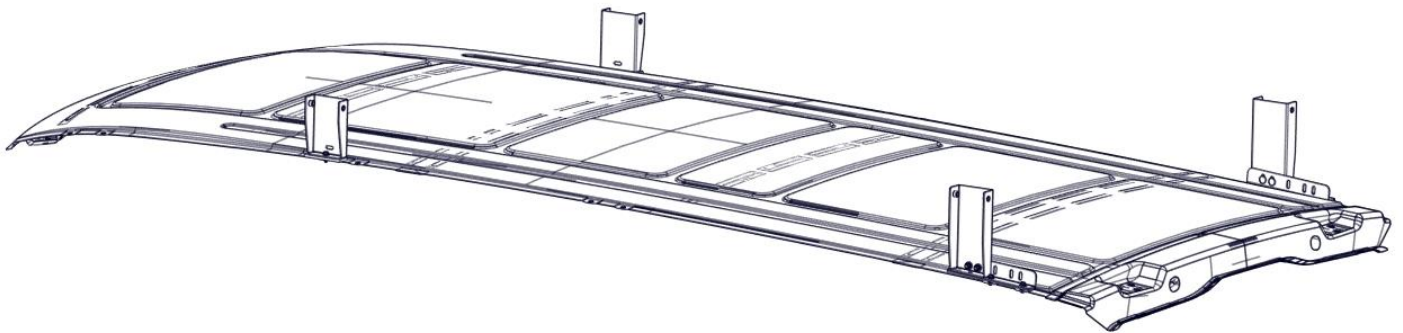




WE PUT EVERYTHING WITHIN REACH.

Installation Guide

4081M



Kargo Master
Rancho Cordova, CA 95742
800-343-7486
CustomerService@KargoMaster.com

PLEASE READ ALL INSTRUCTIONS AND WARNINGS PRIOR TO ASSEMBLING, INSTALLING, AND USING THIS PRODUCT.

Warning



Always check for wires, fuel tanks and lines, brake lines, and other important vehicle functionality items prior to drilling and installing all products.

Tools Needed

9/16" Socket and Wrench	1/2" Socket and Wrench
10mm Socket and Wrench	

Table of Contents

Parts List 2

Hardware List 3

Step 1 – Front Foot 4

Step 2 – Rear Foot Mount 5

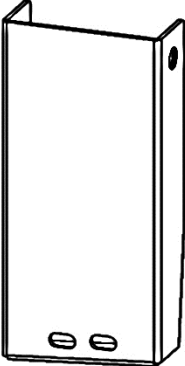
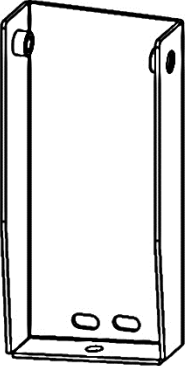
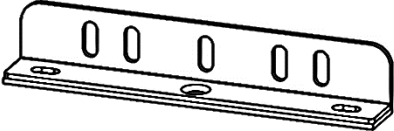
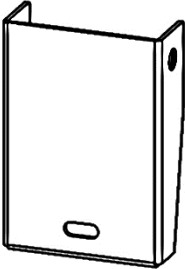
Step 3 – Rear Foot to Mount..... 6

Step 4 – Installing Bows 7

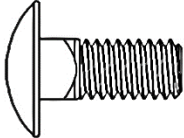
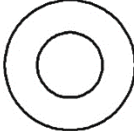



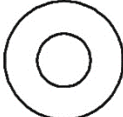
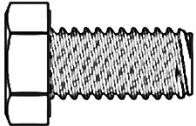
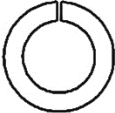
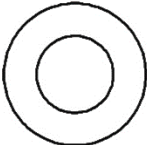
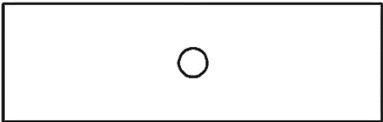
Before You Begin

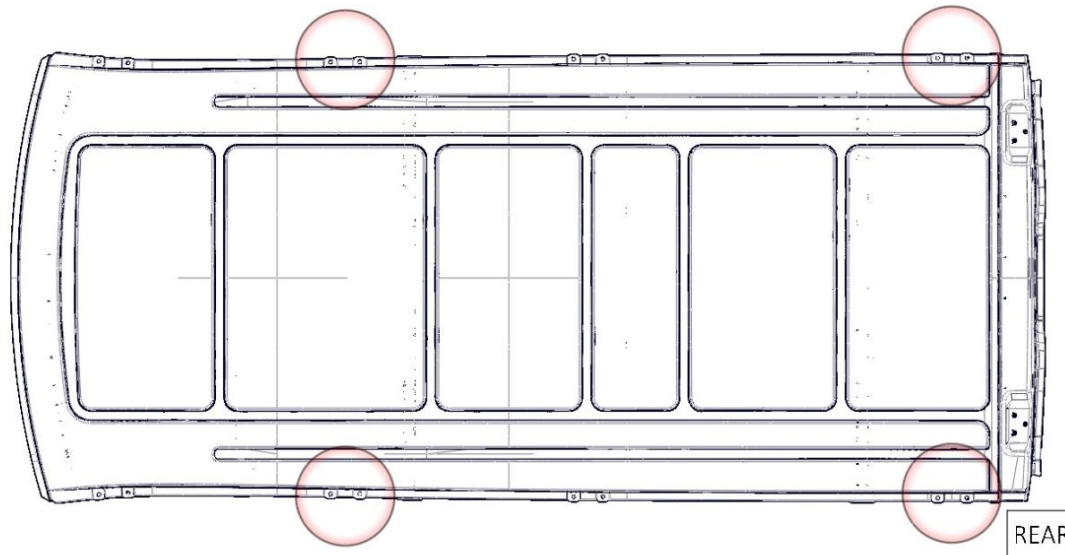
- Read all instructions prior to assembling or installing any Kargo Master product.
- Follow ladder rack instructions after installing mount feet.
- These instructions are for mount feet only.

Parts

ITEM NO.		PART NUMBER	DESCRIPTION	QTY.
A		4090M-10-R1	Large Foot Assembly	1
B		Mirror-4090M-10-R1	Mirror_Large Foot Assembly	1
C		40903-10	Small Angle Brk	2
D		13-03105	Small Foot Assembly	2
		18-4081M	Hardware Kit - Metris Mount	1

Hardware

ITEM	HARDWARE TO SCALE	PART NUMBER	DESCRIPTION	QTY.
1		21810	5/16"-18 X 3/4" CARRIAGE BOLT	4
2		33080	5/16" WASHER	4
3		70861	5/16"-18 NYLOC	4
4		38560	M6 X 1.0 X 22MM HEX HEAD BOLT	6
5		33618	1/4" LOCK WASHER	6
6		33078	1/4" FLAT WASHER	6
7		70105	3/8-16 X 1" HEX HEAD BOLT	8
8		0123496	3/8" SPLIT LOCK WASHER	8
9		0159723	3/8" WASHER	8
10			Front Rail Pad	2
11		BH-821	Self Leveling Adhesive Sealant	1

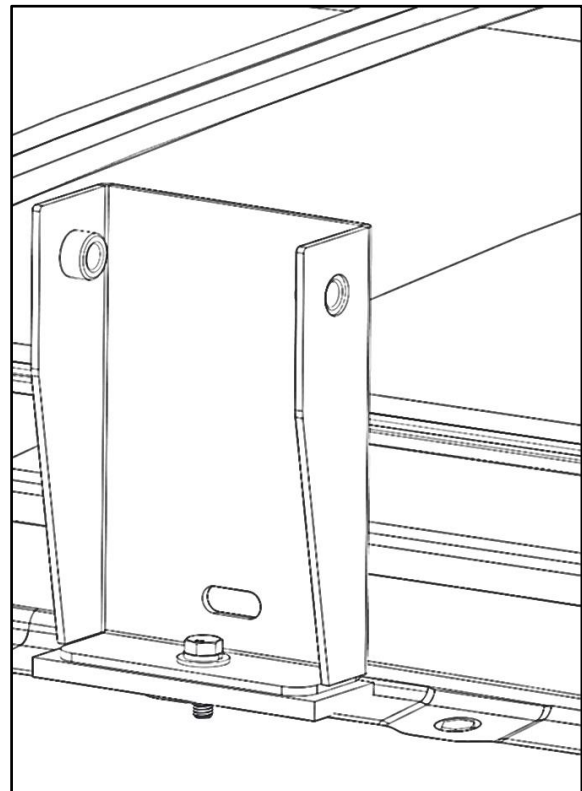
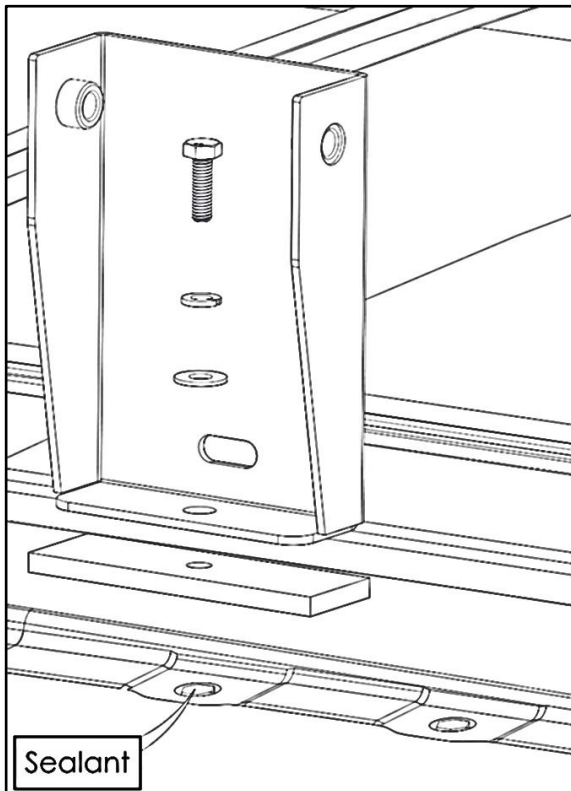


Step 1 – Front Foot

- Locate front mount locations as shown above.
- Remove front most plastic cap in these locations to expose threads in the roof.
- Place front rail pad over the front most hole. Place small foot (D) on top of pad.
- Mount small foot (D) through the front rail pad into the roof using a M6 x 22mm hex bolt, a 1/4" lock washer and a 1/4" flat washer. Repeat on other side.

****Be sure to put sealant in and around the threads to ensure the roof will not leak in wet applications****

- Snug tighten, but allow movement.

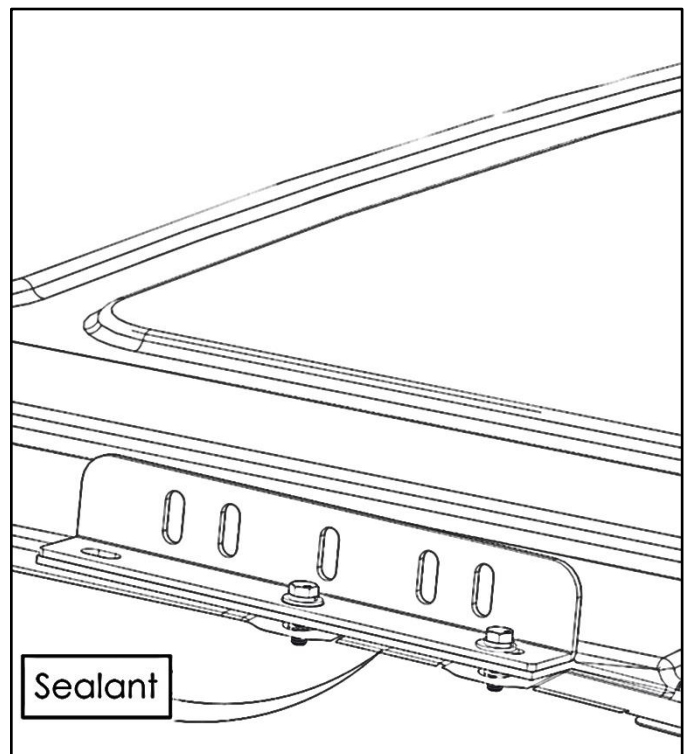
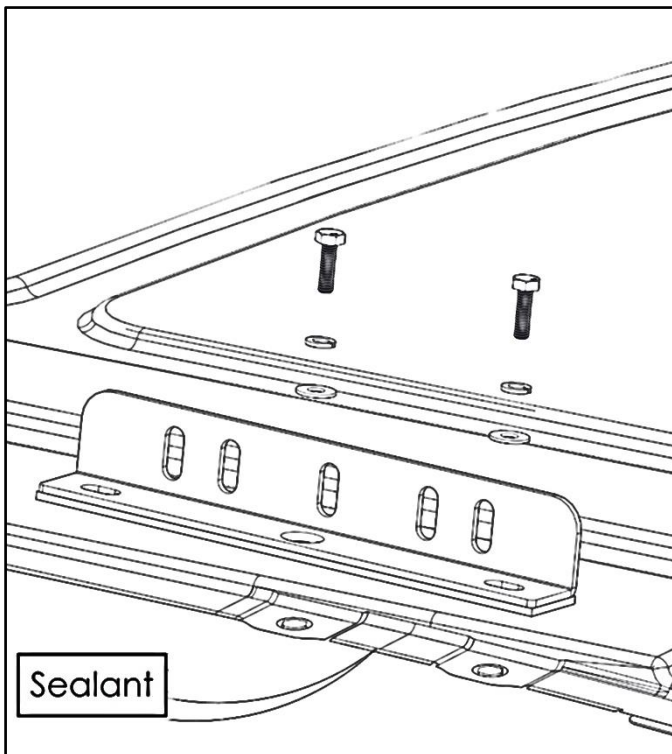


Step 2 – Rear Foot Mount

- In the rear of the van, locate the two rear most mounting locations from picture on page 4.
- Remove plastic to expose both threads in the roof.
- Place small angle bracket (C) with flange to the center of van. Offset bracket to the front.
- Bolt into roof using two M6 x 22mm hex bolts, two 1/4" lock washers and two 1/4" flat washers. (Driver Side Shown)

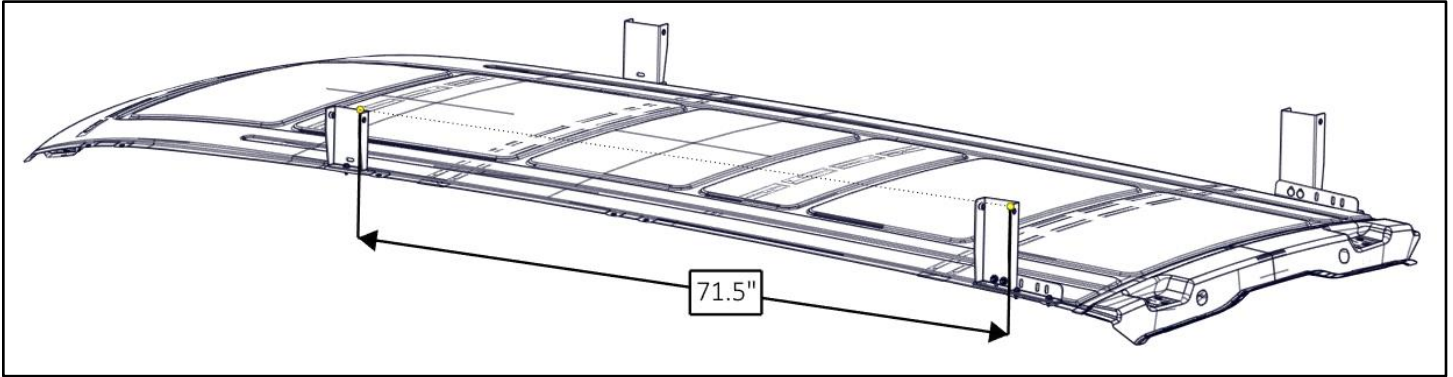
****Be sure to put sealant in and around the threads to ensure the roof will not leak in wet applications.****

- Snug tighten, but allow movement.

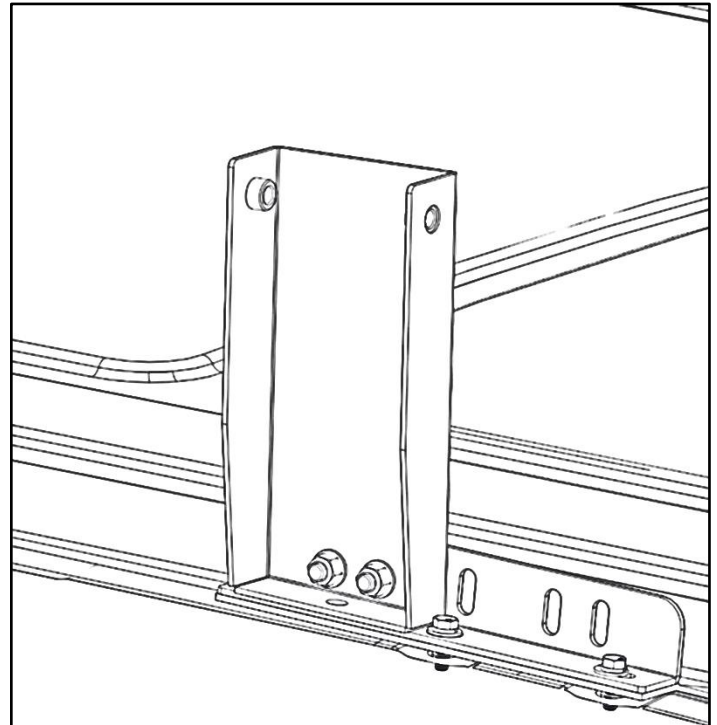
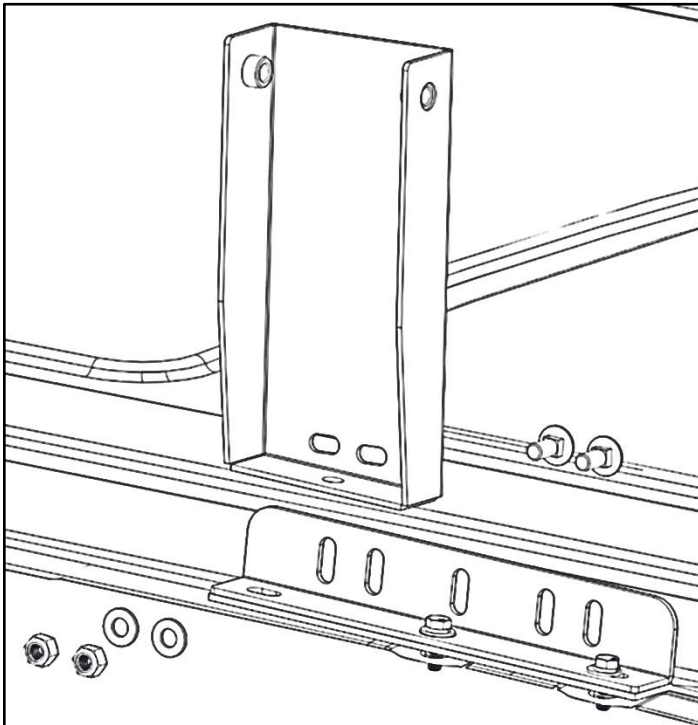


Step 3 – Rear Foot to Mount

- The distance between the front and rear foot should be approximately 71.5”.

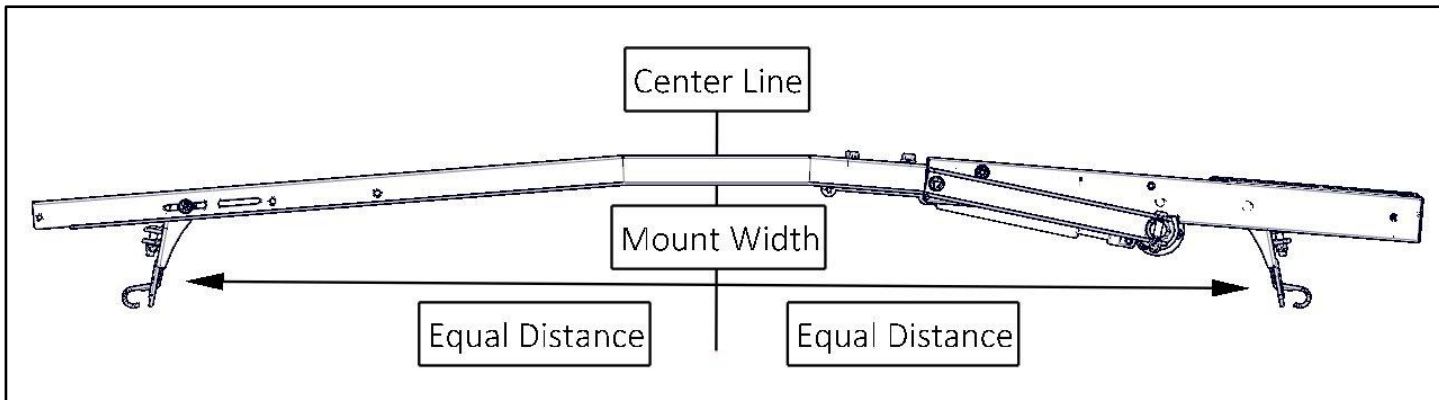
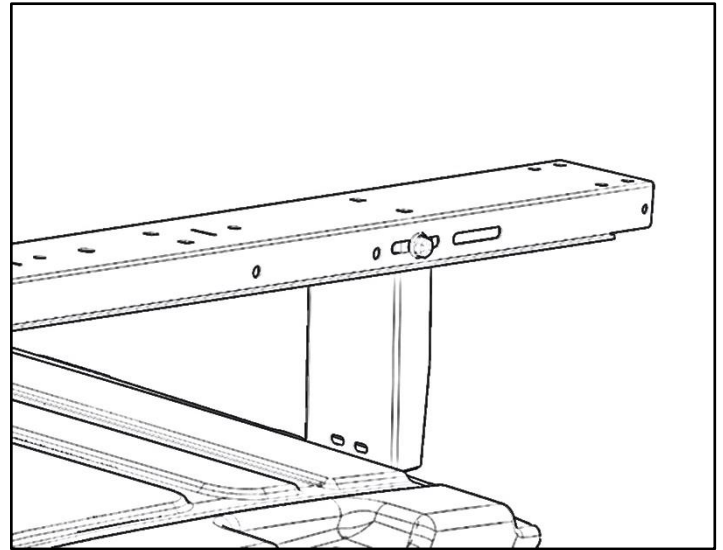
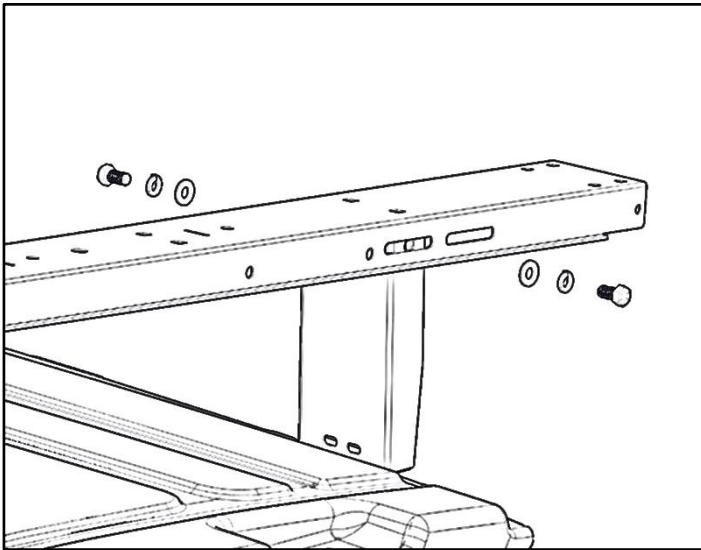


- Place the correct large foot (A or B) on top of the angle bracket. The drivers side is shown below. The slope on the large foot will make the top of the foot flat.
- Use the foot that contours best with the slope of the van roof.
- The opening in the large foot assembly will open to the outside of the van.
- Mount large foot (A or B) to angle bracket using two 5/16” carriage bolts, two 5/16” flat washers and two 5/16” lock nuts.
- Snug tighten, but allow movement.



Step 4 – Installing Ladder Bows

- Place correct ladder bow on the previously mounted front and rear feet. Be sure to have equal distance along the bow as shown below.
- Bolt in place using 3/8" x 3/4" hex head, a 3/8" lock washer and a 3/8" flat washer.
- Follow ladder rack instructions from this point.



ONCE LADDER RACK IS FULLY INSTALLED, BE SURE TO GO BACK AND ENSURE ALL HARDWARE IS TIGHT

YOUR INSTALLATION IS NOW COMPLETE.