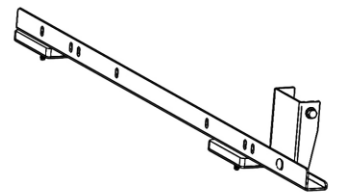
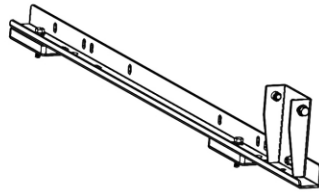
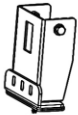


# Holman

---

## Instruction Guide 409TD

---



---

Holman

Rancho Cordova, CA 95742

800-343-7486

InstallationSupport@Holman.com

**\*PLEASE READ ALL INSTRUCTIONS AND WARNINGS PRIOR TO ASSEMBLING, INSTALLING, AND USING THIS PRODUCT.\***

## Warning



**Always check for wires, fuel tanks and lines, brake lines and other important vehicle functionality items prior to drilling and installing all products.**



**DO NOT EXCEED MANUFACTURERS WEIGHT CAPACITY FOR ROOF.**

## Tools Needed

13mm Wrench and Socket	1/2" Wrench and Socket
5mm Allen Hex	9/16" Wrench and Socket

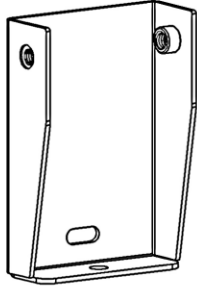
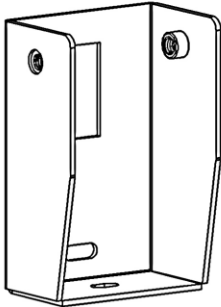


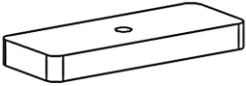
## Table of Contents

Parts List.....	2
Hardware .....	3
FORD TRANSIT (EXCLUDING HIGH ROOF EXT)	
Step 1 - Rear Foot Mounting.....	4
130" WB (LOW/MID ROOF)	
Step 2A – Front Mount on 130" WB (Low/Mid Roof) .....	5
148" WB (LOW/MID/HIGH ROOF EXCLUDING EXT)	
Step 2B – Front Mount on 148" WB (Low/Mid/High Roof excluding EXT).....	7
TRANSIT 148" WHEELBASE, HIGH ROOF, EXT	
Step 3A – EXT Rear Foot Mounting .....	9
Step 3B – EXT Front Mount.....	10
ALL VEHICLES	
Step 4 – Installing Feet .....	11
Step 5 – Installing Rack on Van .....	12

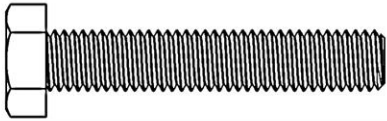
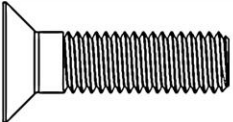
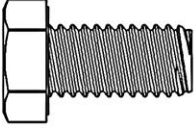
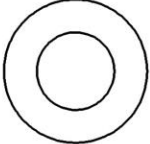

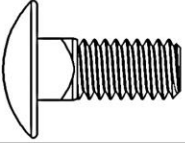
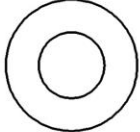
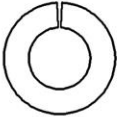
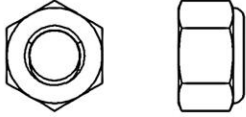
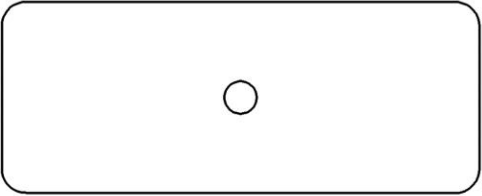
## Before You Begin

- Read ALL instructions prior to installing any Holman product.
- These instructions are for the mounting assembly of a ladder rack.
- Feet mount locations will vary based on size of van and rack type.
- **When installing on Ford Transit, be sure to**
  - **put sealant around exposed threads in roof**
  - **seal between the roof and the rubber pad**
  - **apply sealant onto the threads of the bolt going into roof**

## Parts List

ITEM NO.	ITEM	PART NUMBER	DESCRIPTION	QTY.
1		13-03105	TALL FOOT ASSEMBLY	2
2		4090T-10-R2	LARGE FOOT	2
3		4A901-10-001	FRONT RAIL	2
4		4A9ST-00-001	LR DD BRACKET	2
5		T249-01	T-249 PLATE	4
6		18-409TD-R2	HARDWARE KIT	1

## Hardware

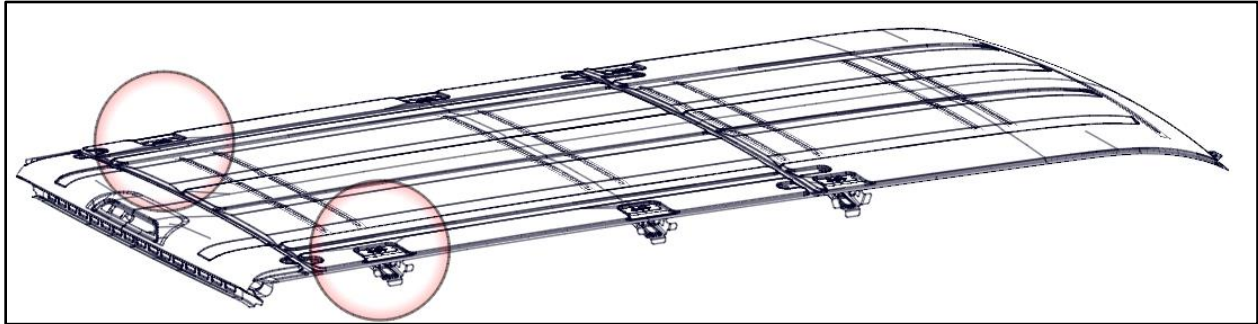
ITEM	HARDWARE TO SCALE	PART NUMBER	DESCRIPTION	QTY.
1			M8 X 1.25 X 45MM HEX HEAD, FULLY THREADED	4
2			M8x1.25 x 30mm Flat Head Cap Screw	2
3		11241196	3/8\"-16 X 3/4\" HEX HEAD BOLT	8
4		11541089	3/8\" WASHER	8
5		0123496	3/8\" SPLIT LOCK WASHER	8
6		21810	5/16\"-18 X 3/4\" CARRIAGE BOLT	4
7		33080	5/16\" WASHER	8
8		1171067	5/16\" LOCKING WASHER	4
9		0169777	5/16\"-18 LOCK NUT	4
10			EPDM RUBBER 3MM	8
11		BH-821	SEALANT	1

## FORD TRANSIT (EXCLUDING HIGH ROOF EXT)

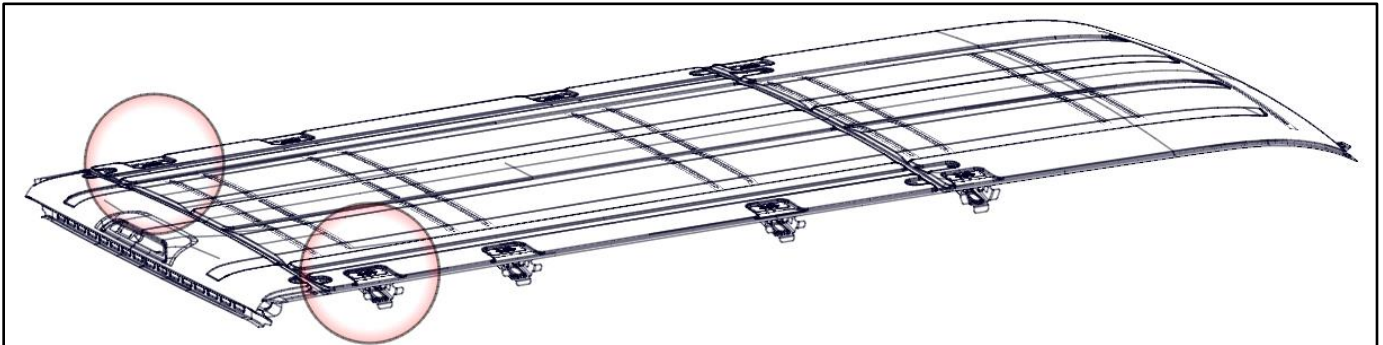
### Step 1 - Rear Foot Mounting

- Locate threaded emboss at rear of van. Plugs will need to be removed.

#### **130" Wheel Base**



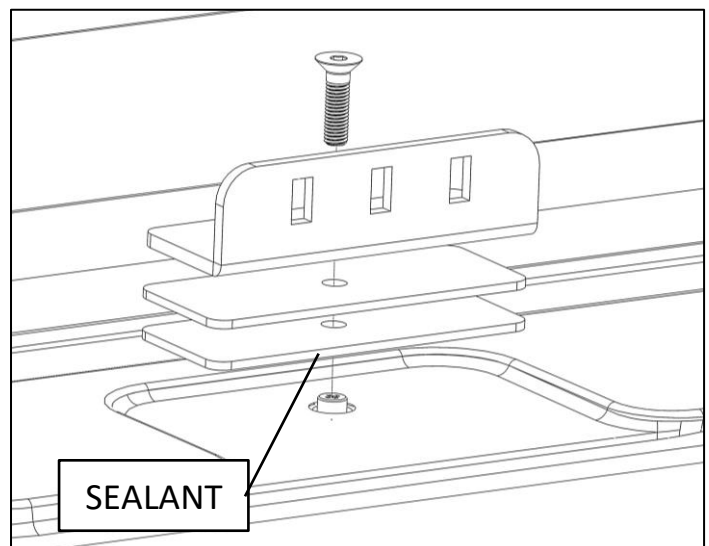
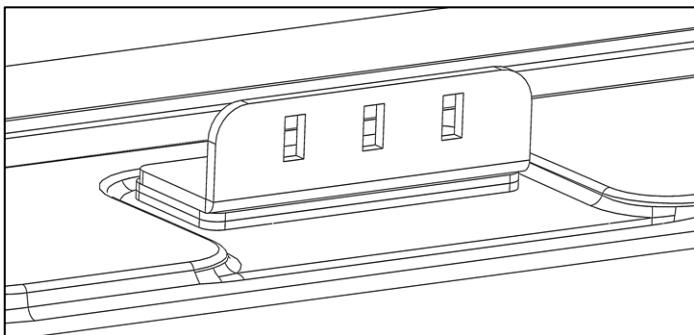
#### **148" Wheel Base**



- Place rubber pad between the bracket and the roof of the van.
- Install the rear mount bracket using M8 x 30mm flat head bolts.
- **Apply sealant around the threads to ensure no water can leak into the cabin of the van.**
- **Be sure the bracket is parallel with the length of the van and the flange on the bracket is towards the outside of the van, as shown.**

**NOTE: Passenger side shown.**

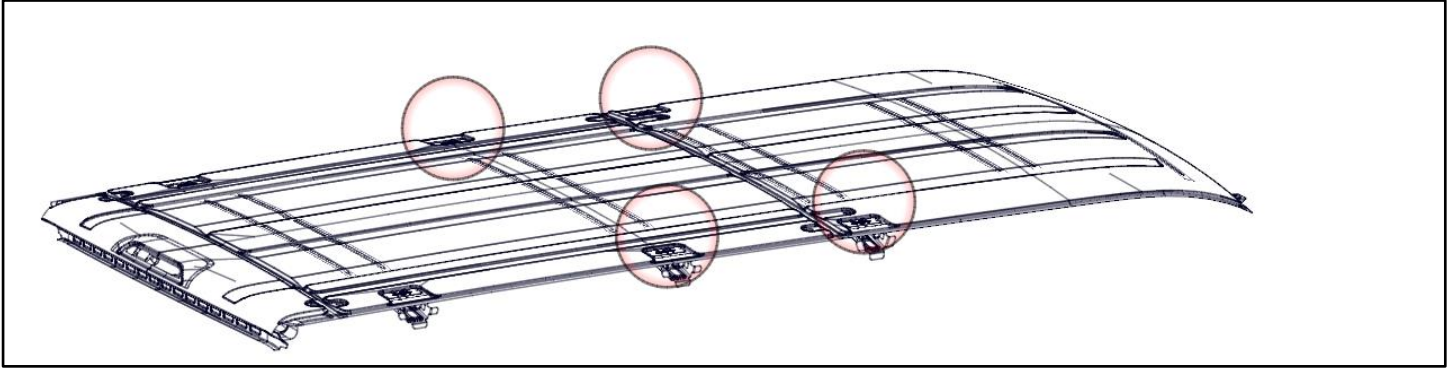
- Repeat on driver side.
- Tighten.



## 130" WB (LOW/MID ROOF)

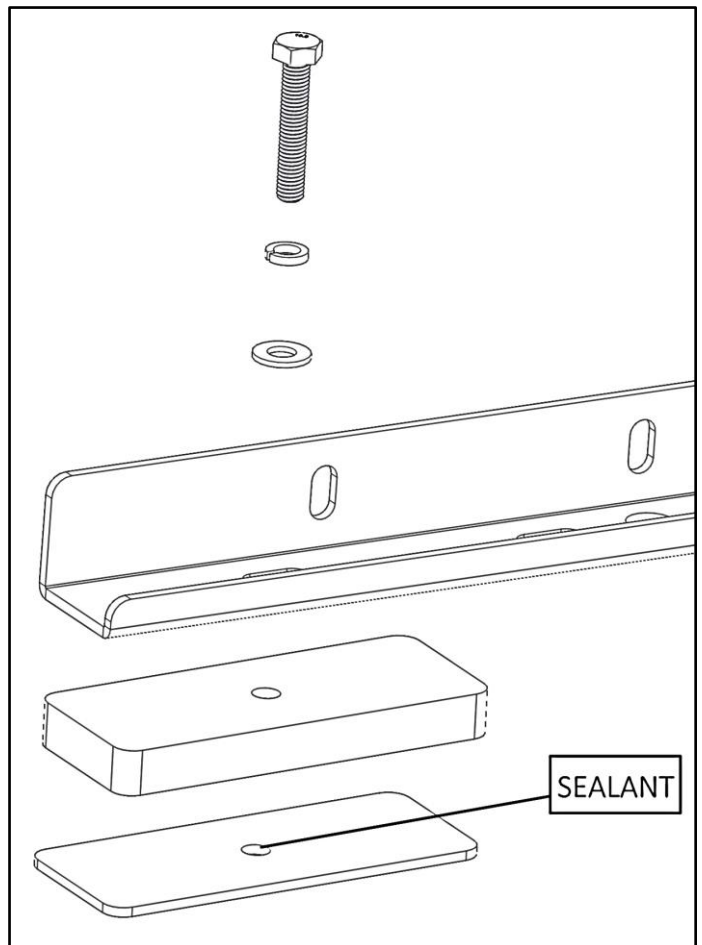
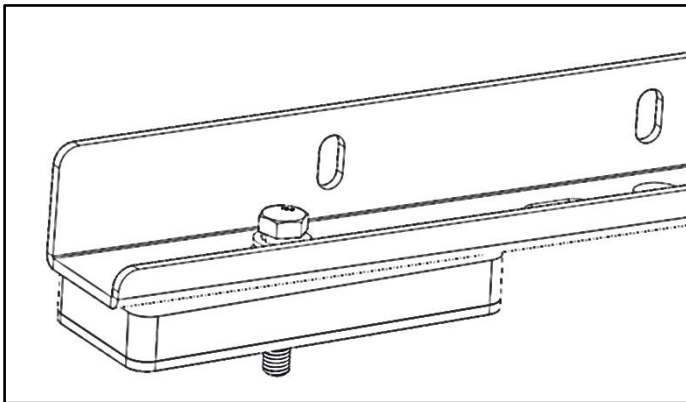
### Step 2A – Front Mount on 130" WB (Low/Mid Roof)

- Locate the other threaded emboss at the front of van. Plugs will need to be removed.



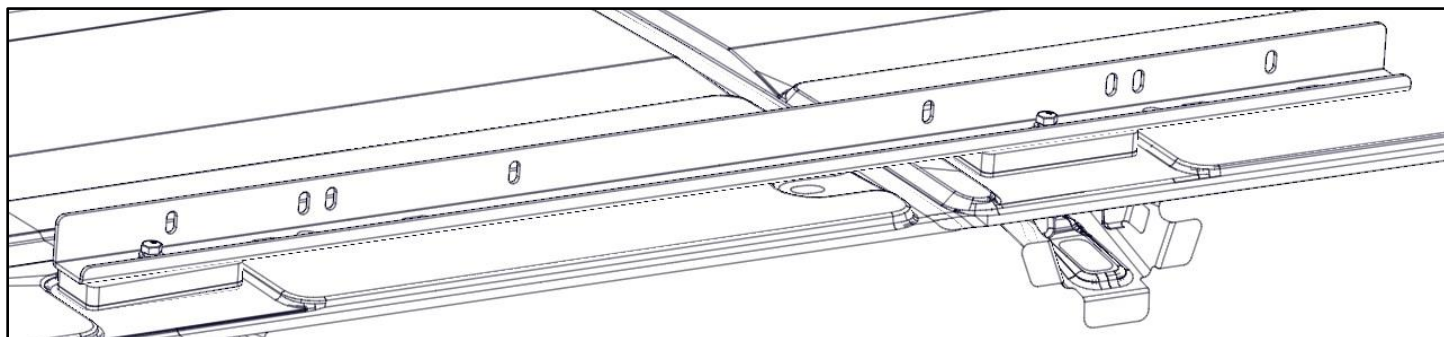
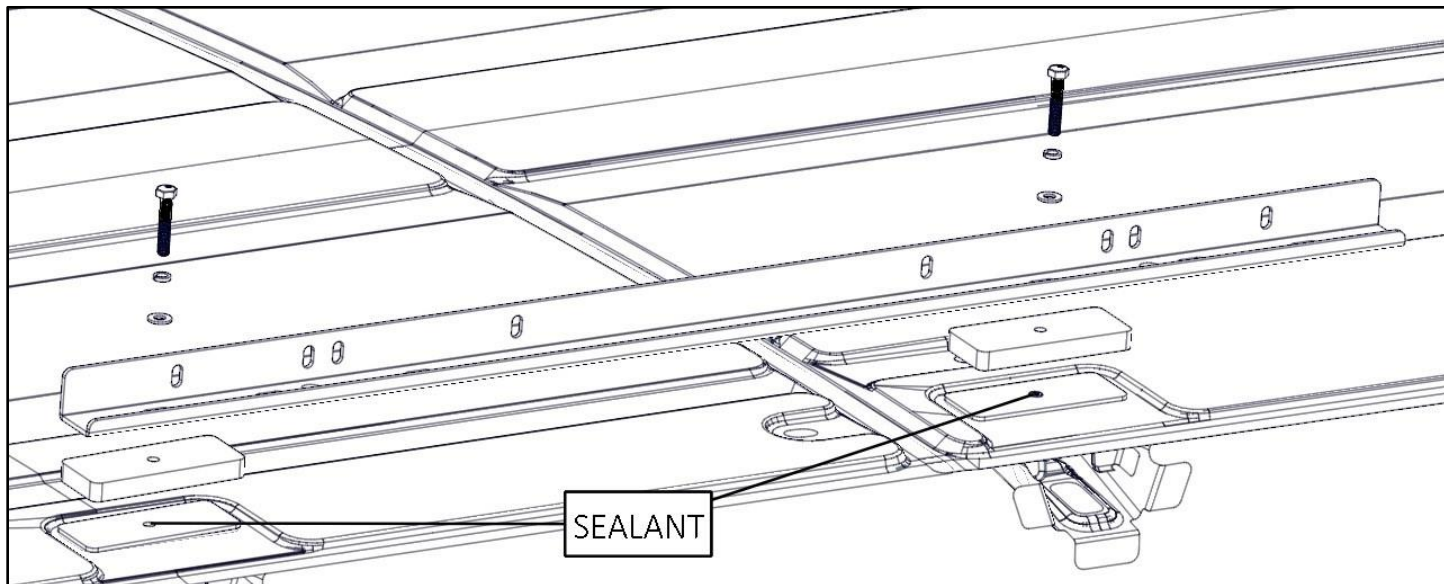
- Place the long mount rail with the tall flange to the center of the van.
- Using one M8 x 45mm bolt, one 5/16" lock washer, one 5/16" flat washer, one T-249 plate, and one EPDM pad, bolt through the farthest rear slot into the van emboss.
- **Apply sealant around the threads to ensure no water can leak into the cabin of the van.**
- Repeat for the corresponding front slot in the rail.

**NOTE:** The rail should be offset to the front of the van. The picture shown here is the rear most mount on the rail.



**NOTE: Passenger side shown below.**

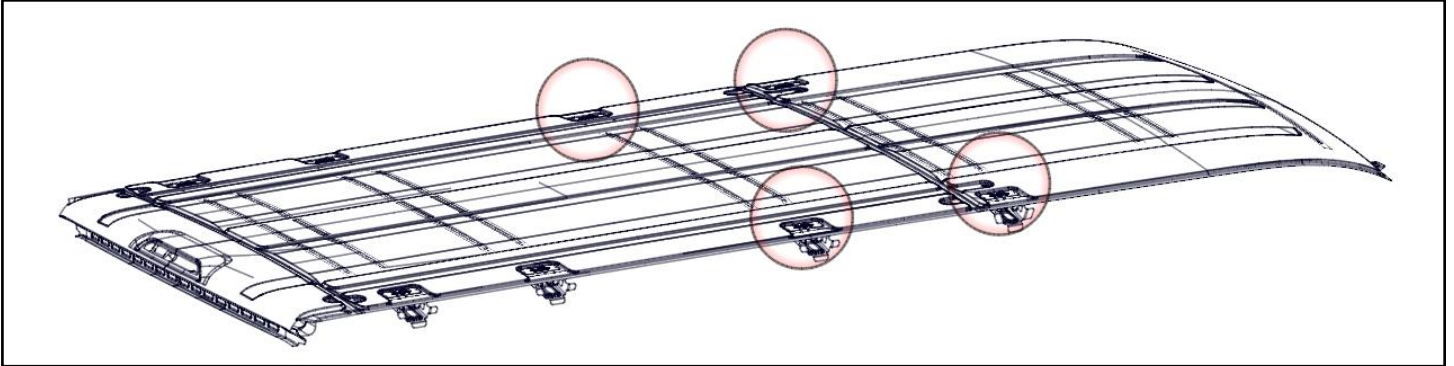
- Repeat on driver's side.
- Snug tighten.



## 148" WB (LOW/MID/HIGH ROOF EXCLUDING EXT)

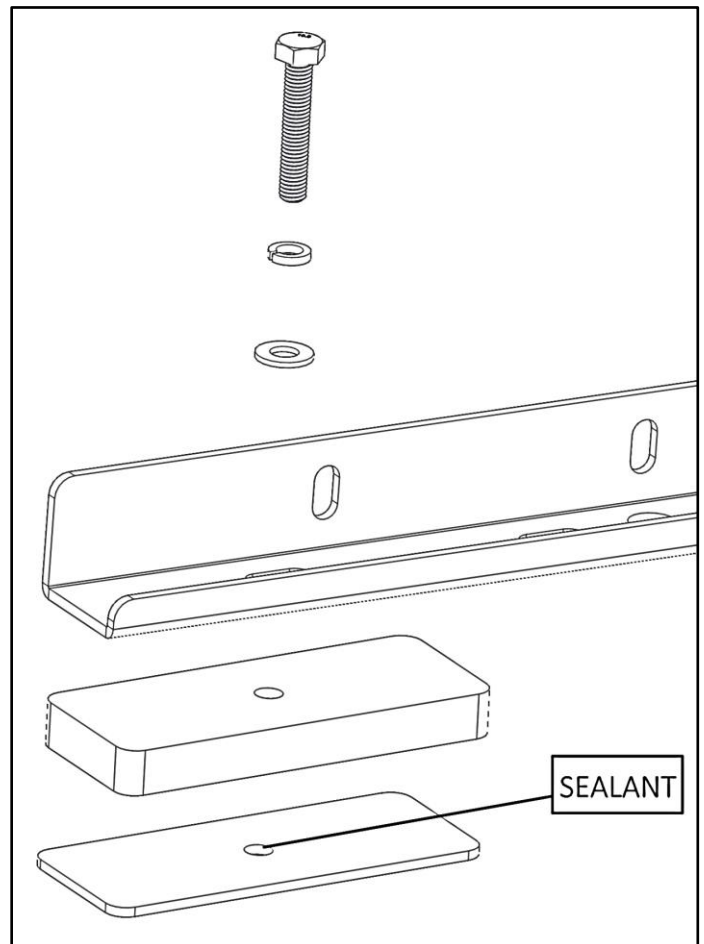
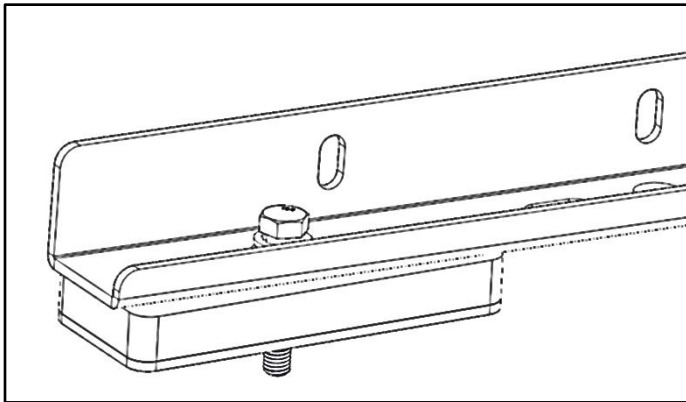
### Step 2B – Front Mount on 148" WB (Low/Mid/High Roof excluding EXT)

- Locate the other threaded emboss at front of van. Plugs will need to be removed.



- Place the long mount rail with the tall flange to the center of the van.
- Using one M8 x 45mm bolt, one 5/16" lock washer, one 5/16" flat washer, one T-249 plate, and one EPDM pads, bolt through the farthest rear slot into the van emboss.
- **Apply sealant around the threads to ensure no water can leak into the cabin of the van.**
- Repeat for the corresponding front slot in the rail.

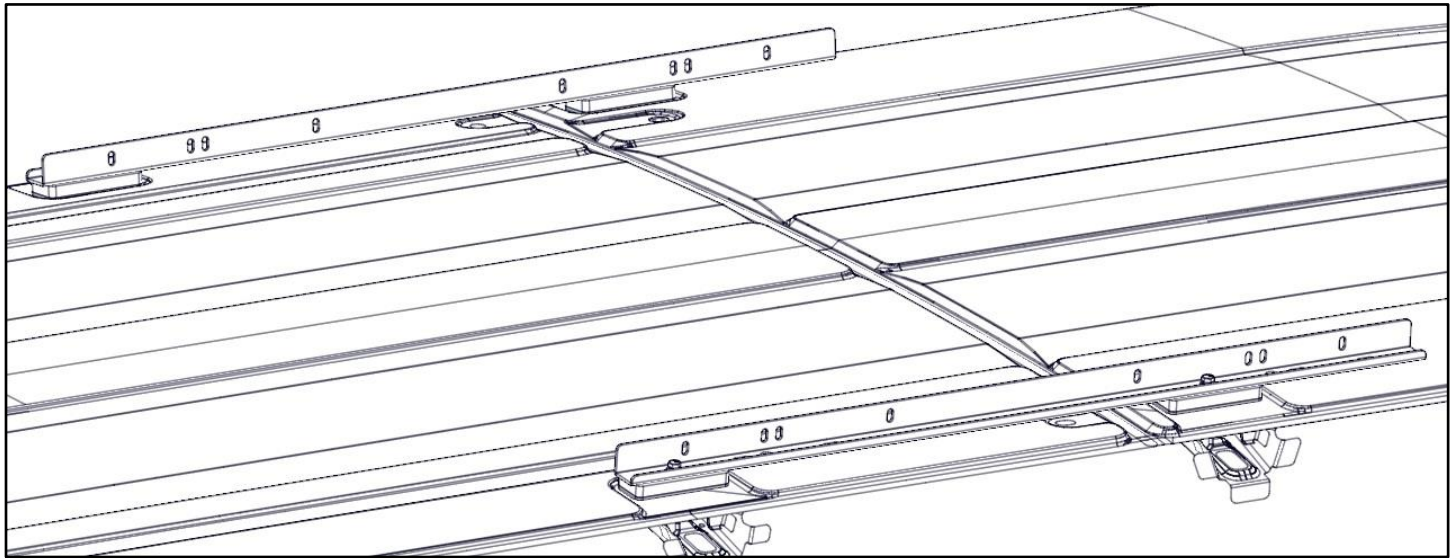
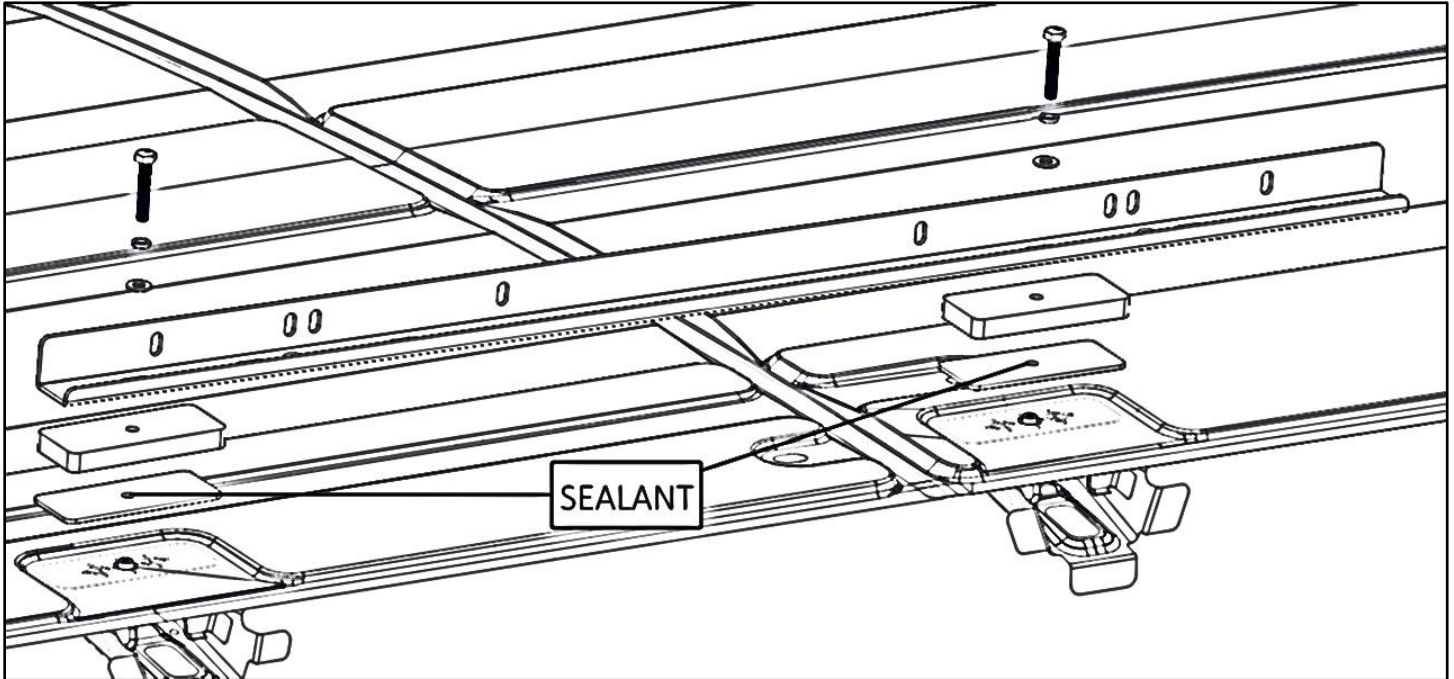
**NOTE:** The rail should be offset to the front of the van. The picture shown here is the rear most mount on the rail.





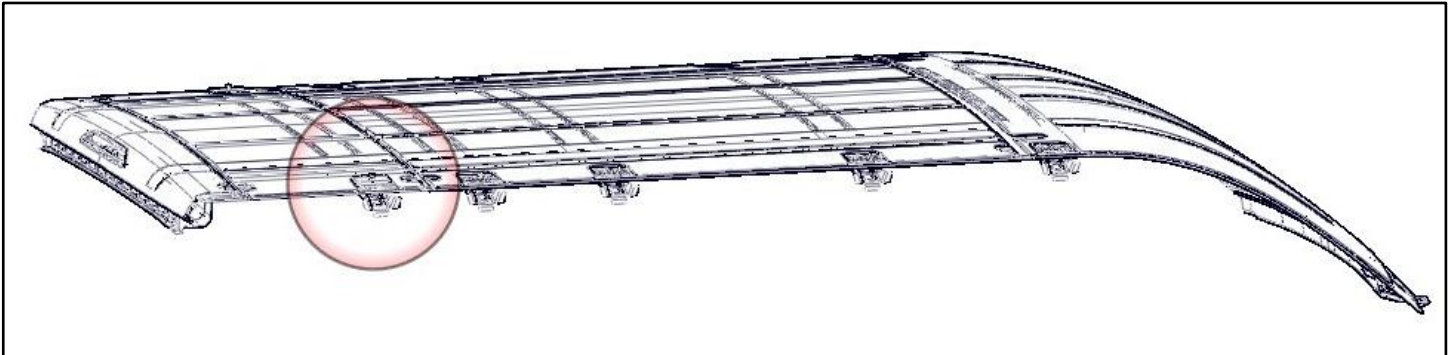
**NOTE: Passenger side shown.**

- Repeat on driver side.
- Snug tighten.



## TRANSIT 148" WHEELBASE, HIGH ROOF, EXT

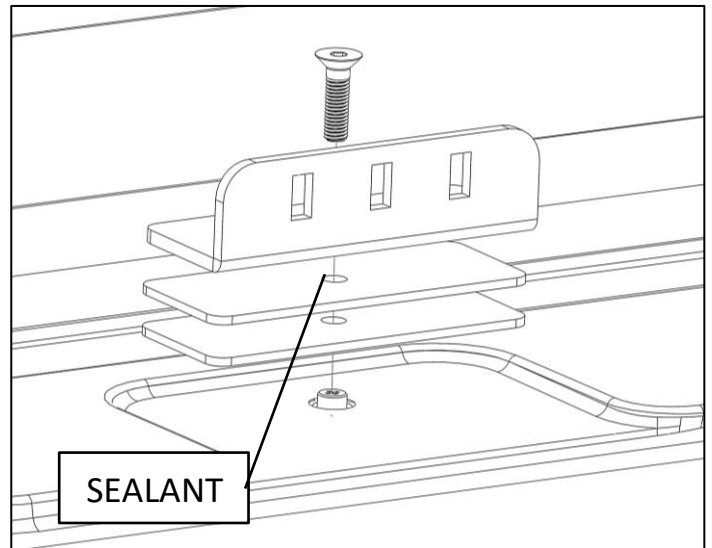
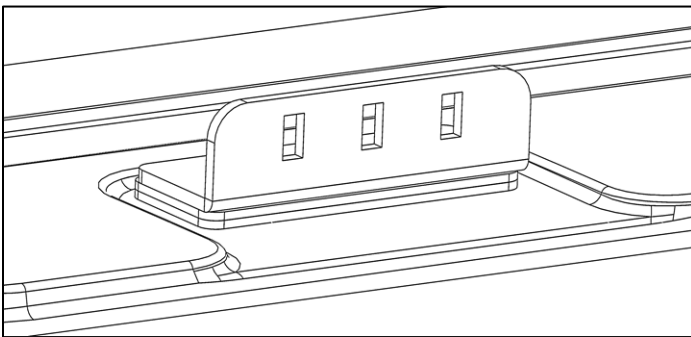
### Step 3A – EXT Rear Foot Mounting



- Place rubber pad between the bracket and the roof of the van.
- Install the rear mount bracket using M8 x 30mm flat head bolts.
- **Apply sealant around the threads to ensure no water can leak into the cabin of the van.**
- **Be sure the bracket is parallel with the length of the van and the flange on the bracket is towards the outside of the van, as shown.**

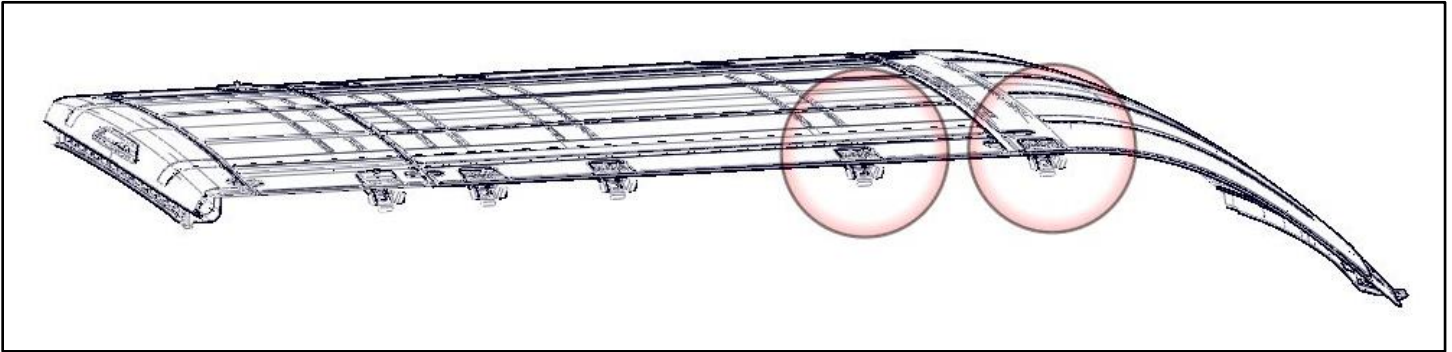
**NOTE: Passenger side shown.**

- Repeat on driver side.
- Tighten.

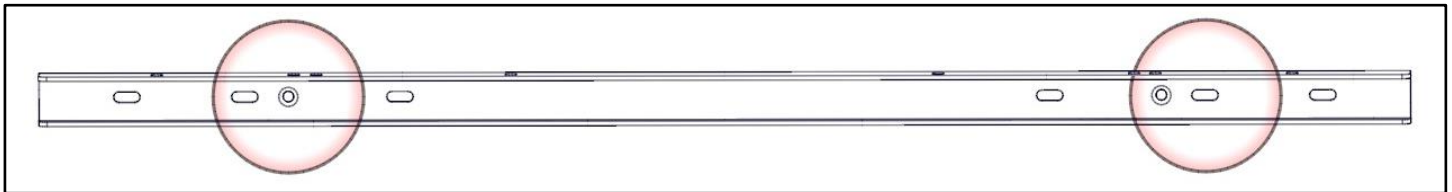


## Step 3B – EXT Front Mount

- Locate other two threaded emboss at front of van. A plug will need to be removed at each location.



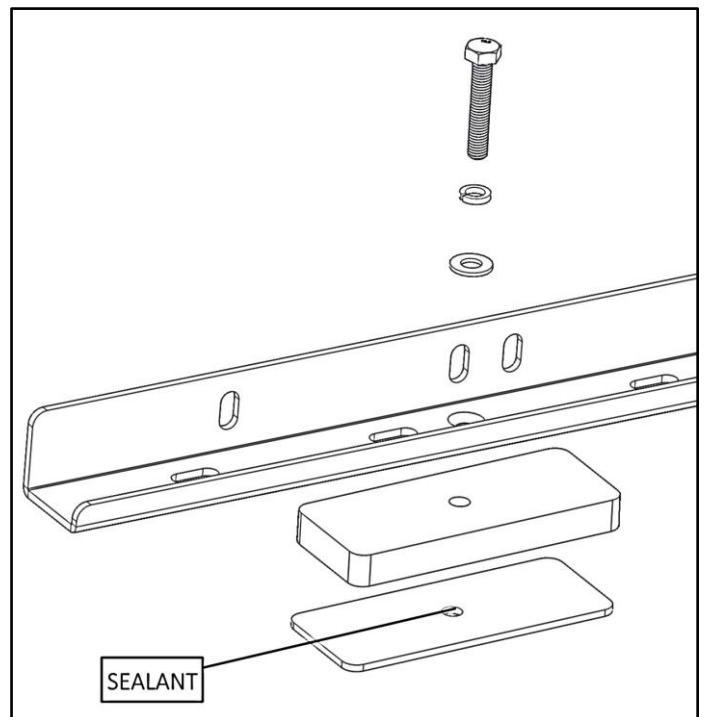
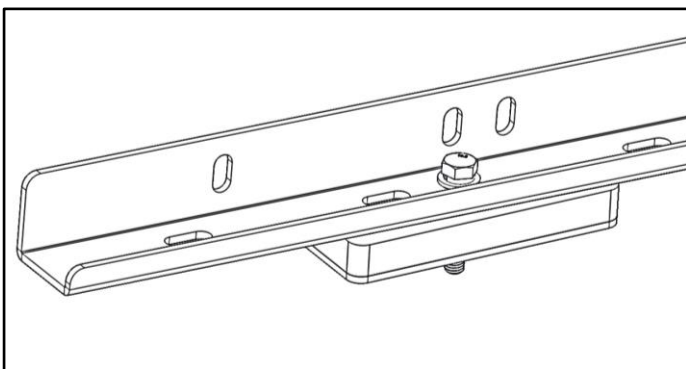
- Place the long mount rail with the tall flange to the center of the van.
- Using one M8 x 45mm bolt, one 5/16" lock washer, one 5/16" flat washer, one T-249 plate, and one EPDM pad, bolt through the farthest rear countersunk hole into the van emboss.
- **Apply sealant around the threads to ensure no water can leak into the cabin of the van.**
- Repeat for the 2nd slot from the front.



- Repeat entire step on driver side.

**NOTE: The picture shown here is the rear most mount on the rail (through the countersunk hole). Passenger side shown.**

- Snug tighten.

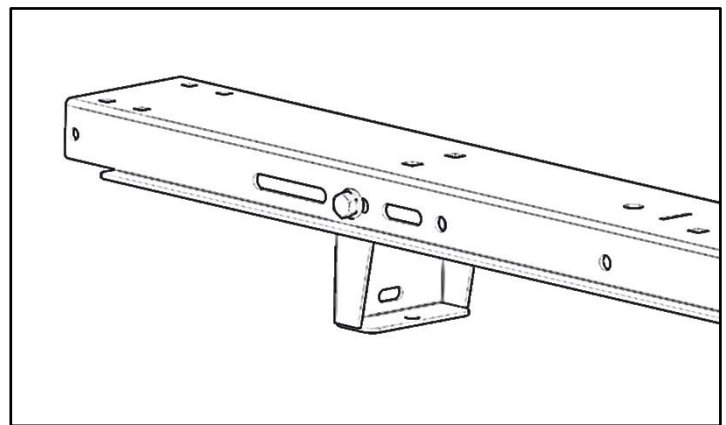
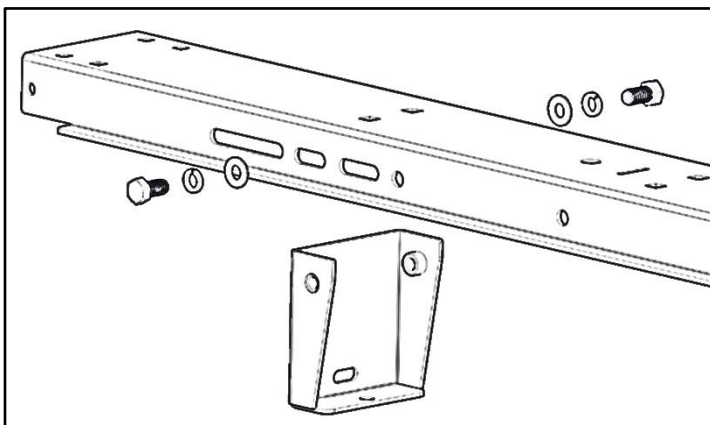
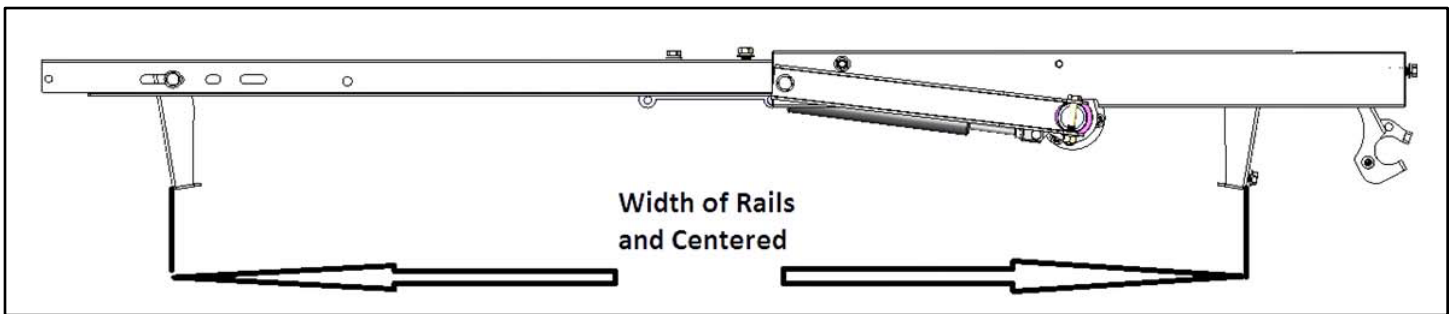


## ALL VEHICLES

### Step 4 – Installing Feet

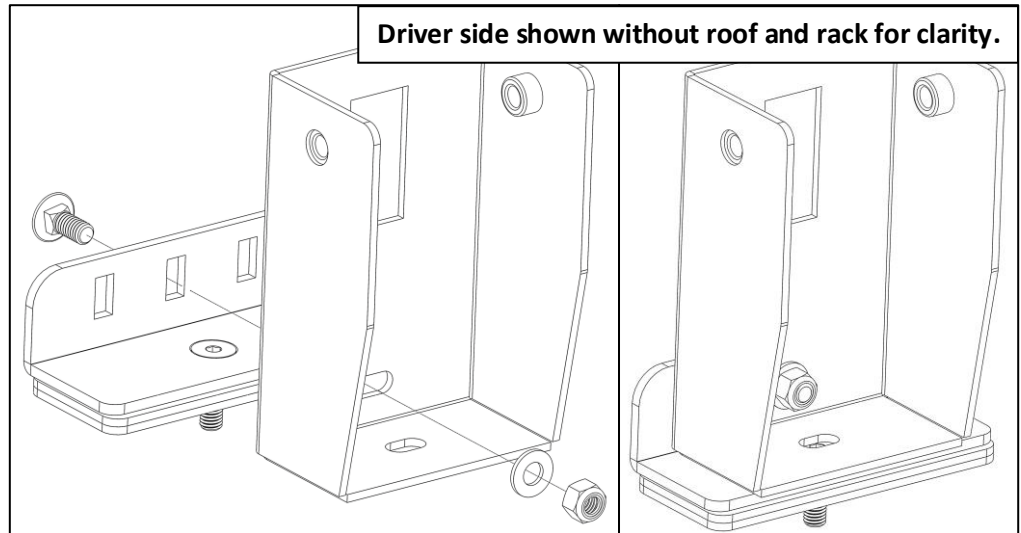
- Have rack assembled.
- Measure width between the mounts on the van.
- On the cross bows, use the slots that correspond to the measured distance between rails.
- Bolt feet to bows as shown. **DO NOT TIGHTEN** at this point.
- Feet can be installed as shown or reverse depending on how you mounted the rail.
- Using two 3/8" x 3/4" hex head bolts, two 3/8" lock washers, and two 3/8" flat washers, bolt feet to cross members.
- Snug tighten, but allow movement.

**NOTE: Design of feet may vary, but all mounting is the same.**

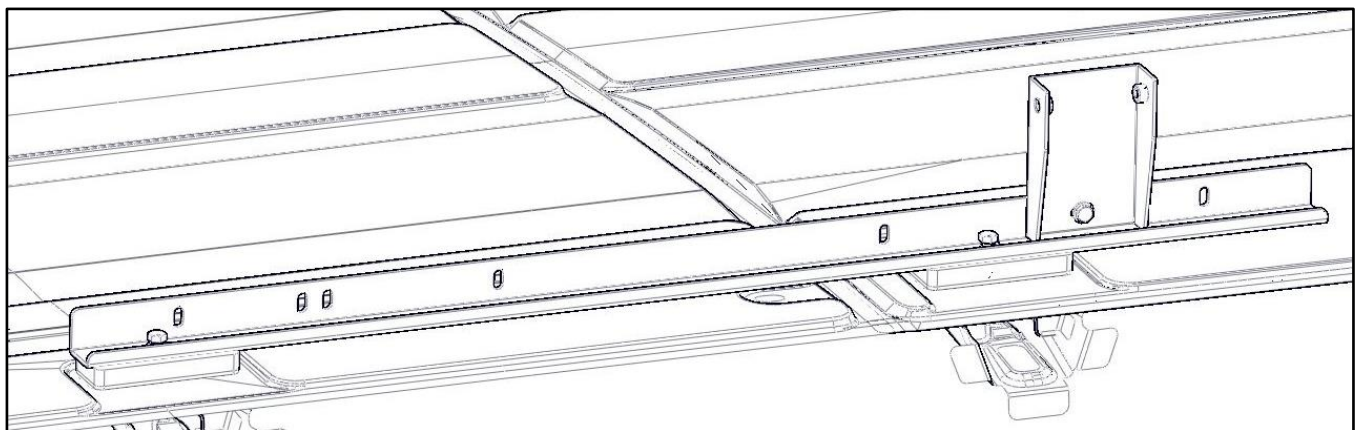
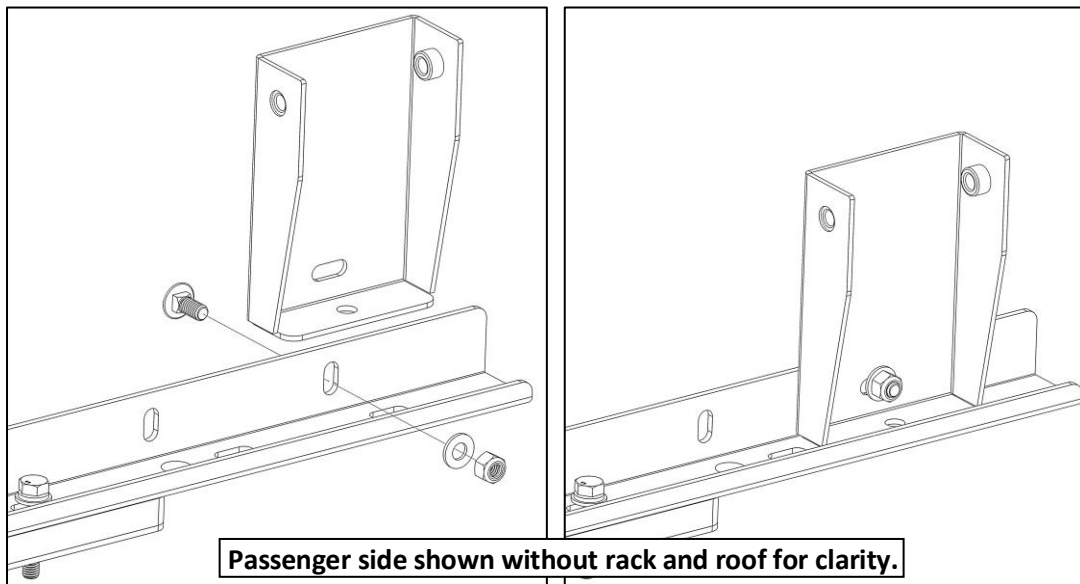


## Step 5 – Installing Rack on Van

- Line the rear foot up with the rear mount of van.
- Bolt rear foot to rear mount using one 5/16" x 3/4" carriage bolt, 5/16" flat washer, and 5/16" lock nut.



- In the front of the van, mount foot to previously installed rail using one 5/16" x 3/4" carriage bolt, 5/16" flat washer, and 5/16" lock nut.
- Adjust as necessary.



**GO BACK AND ENSURE ALL HARDWARE IS TIGHT.**

**This includes into the roof, within the rack assembly and the mounting of the rack to roof brackets.**

**YOUR INSTALLATION IS COMPLETE.**

