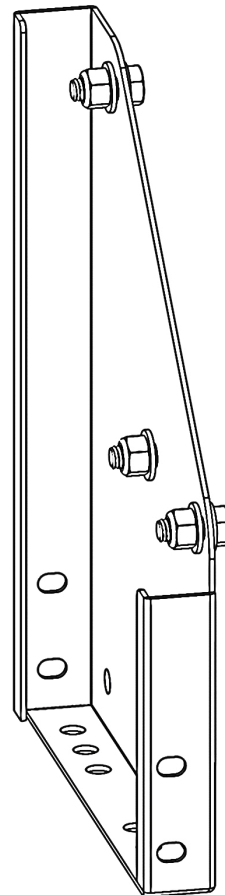
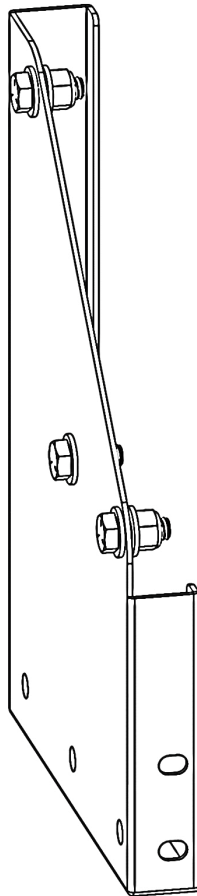


Holman

Installation Guide

48401



Holman
Rancho Cordova, CA 95742
800-343-7486
InstallationSupport@holman.com

PLEASE READ ALL INSTRUCTIONS AND WARNINGS PRIOR TO ASSEMBLING, INSTALLING, AND USING THIS PRODUCT.

Warning



Always check for wires, fuel tanks and lines, brake lines and other important vehicle functionality items prior to drilling and installing all products.

Tools Needed

7/16" Wrench and Socket

Table of Contents

Before You Begin 1

Parts List 1

Hardware 2

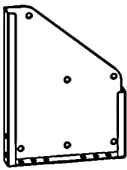
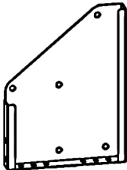
Installation 2

Vehicle Installation Notes 3


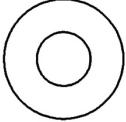

Before You Begin

- Read all instructions prior to installing any Kargo Master product.
- Be sure to have the shelf unit you are installing into assembled prior to installation.

Parts List

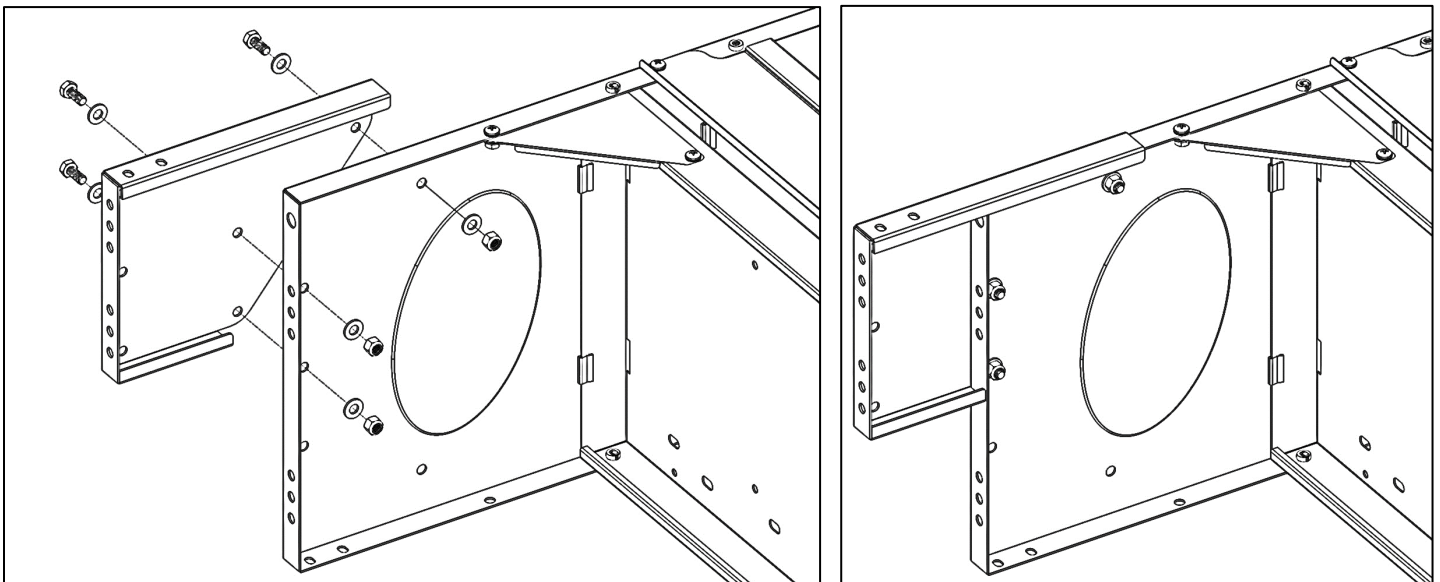
ITEM NO.	ITEM	PART NUMBER	DESCRIPTION	QTY
1		48401-00-001	RISER, RIGHT	1
2		48401-00-002	RISER, LEFT	1
3		18-48401	HARDWARE KIT	1

Hardware

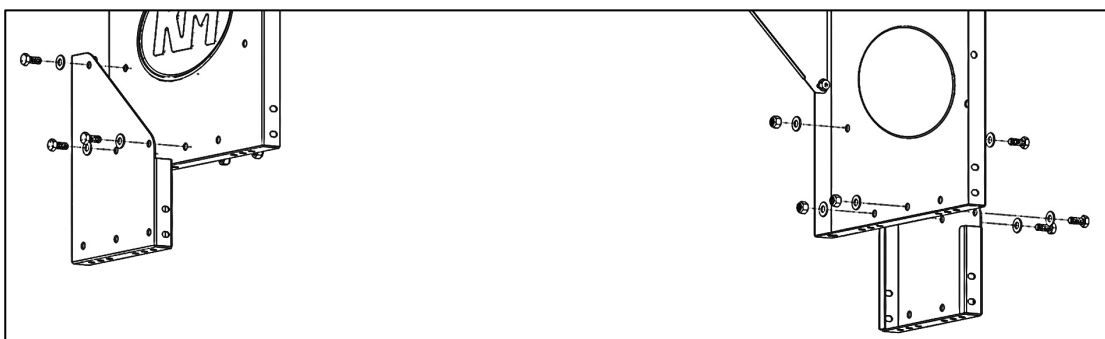
ITEM	HARDWARE TO SCALE	PART NUMBER	DESCRIPTION	QTY.
1		13003	1/4"-20 x 3/4" HEX HEAD BOLT	6
2		33078	1/4" WASHER	12
3		37018	1/4"-20 NYLON INSERT LOCK NUT	6

Installation

- Set shelf on its front.
- Slide riser over rear bottom edge, aligning holes in riser with holes in shelf.
- Using three 1/4" x 3/4" hex bolts, six 1/4" washers, and three 1/4" lock nuts, securely fasten riser to shelf side.



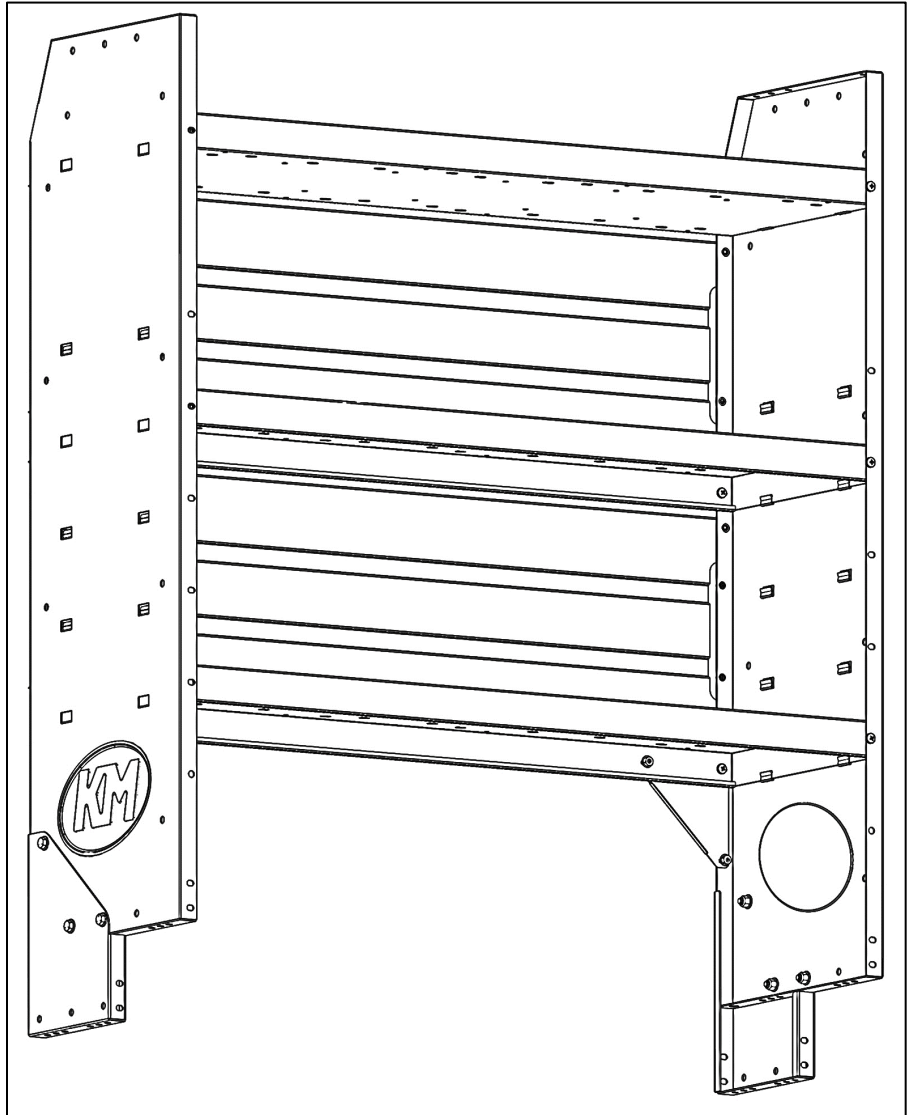
- Repeat for opposite side of shelf.



- Go back and ensure all hardware is tight.

INSTALL SHELF PER SHELF
MOUNTING KIT
INSTALLATION
INSTRUCTIONS.

ASSEMBLY IS COMPLETE.



Shelf Installation Notes

When installing a shelf with shelf riser kit, be sure to install to the floor using at least two holes in each shelf riser, as shown.

NOTE: Installation hardware is included in the appropriate shelf mounting kit.

