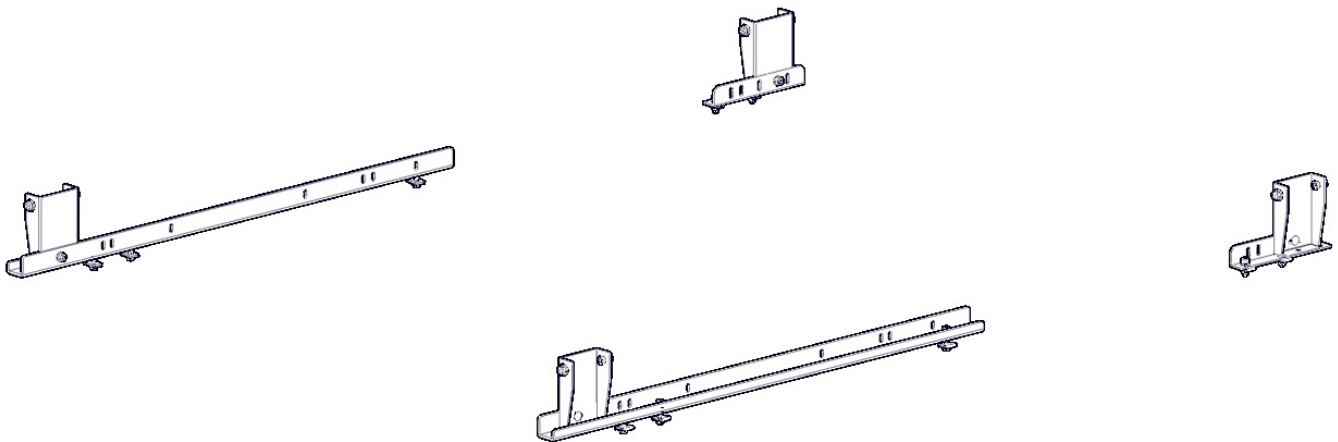

Holman

Installation Guide

409ND



Holman
Rancho Cordova, CA 95742
800-343-7486
InstallationSupport@holman.com

***PLEASE READ ALL INSTRUCTIONS AND WARNINGS PRIOR TO ASSEMBLING,
INSTALLING, AND USING THIS PRODUCT***

Warning



Always check for wires, fuel tanks and lines, brake lines and other important vehicle functionality items prior to drilling and installing all products.

Tools Needed

1/2" Socket and Wrench	9/16" Socket and Wrench
5mm Allen Hex	6mm Allen Hex
Tape Measure	

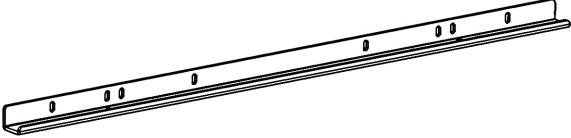
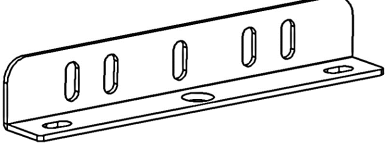
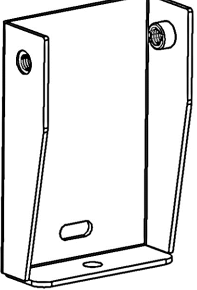
Table of Contents

Before You Begin	1
Parts	2
Hardware	3
Step 1 – Rear Mount Location.....	4
Step 2 – Attach Rear Rail	5
Step 3 – Front Mount Location	6
Step 4 – Attach Front Rail.....	7
Step 5 - Installing Feet.....	8
Step 6 – Install Rack	9

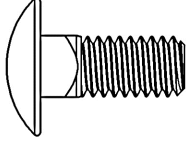
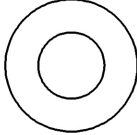
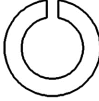

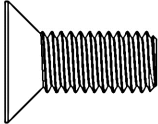
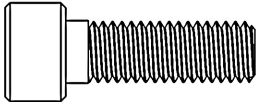
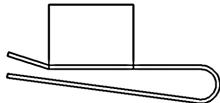
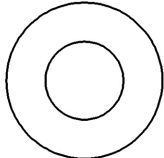
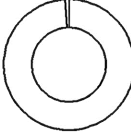
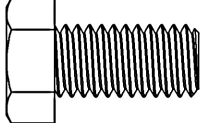
Before You Begin

- Read all instructions before installing any Kargo Master product.
- Have ladder rack already assembled and ready to be installed.

Parts

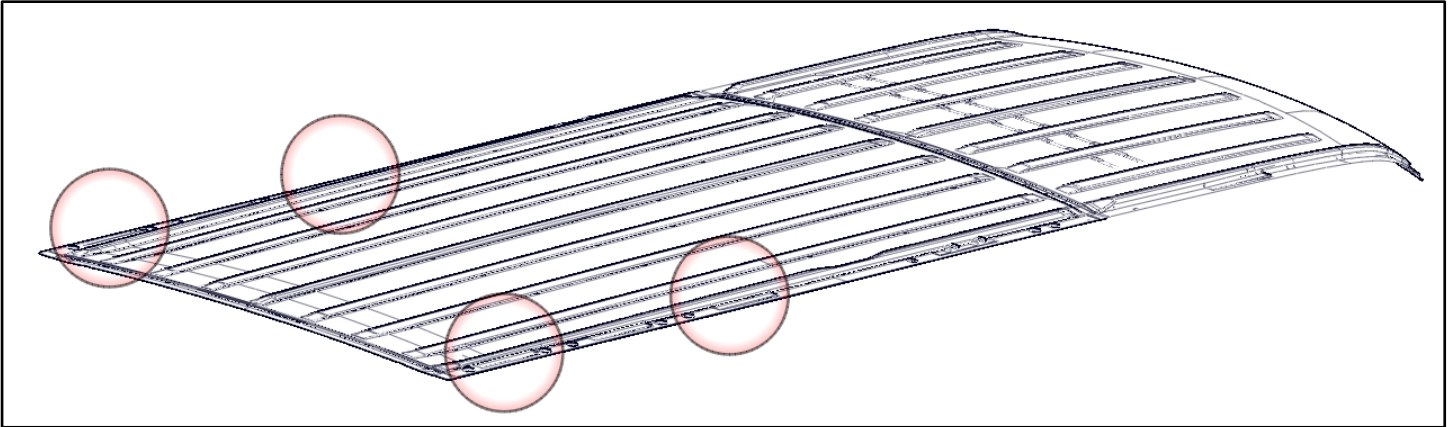
ITEM NO.	ITEM	PART NUMBER	DESCRIPTION	QTY.
1		4A901-10-001	FRONT RAIL	2
2		4A903-10-001-R2	SHORT RAIL	2
3		13-03105	TALL FOOT ASSEMBLY	4
4		18-409ND	HARDWARE KIT	1

Hardware

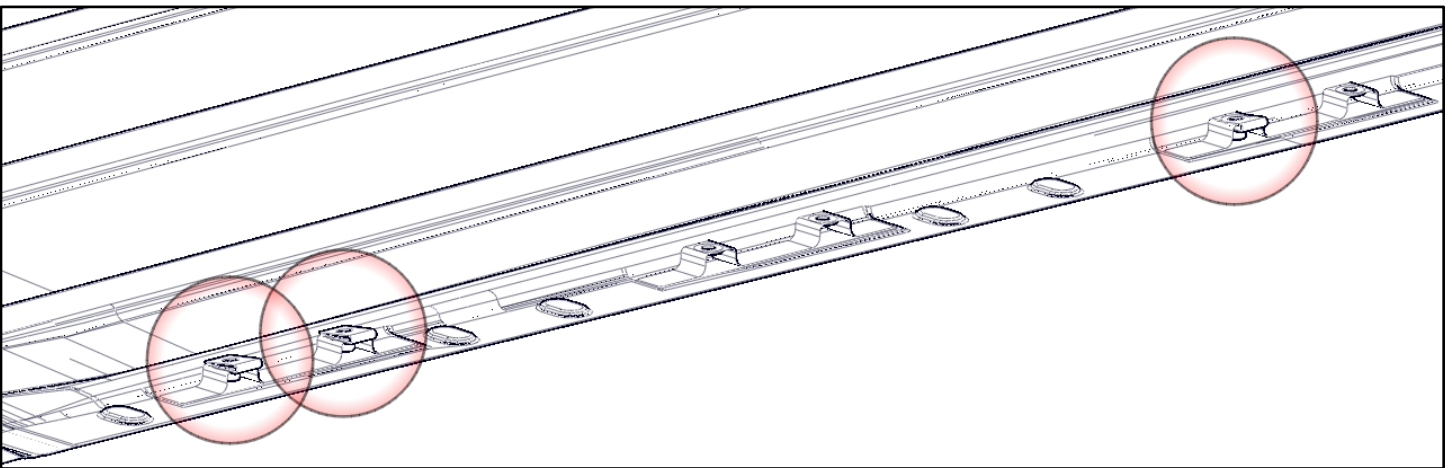
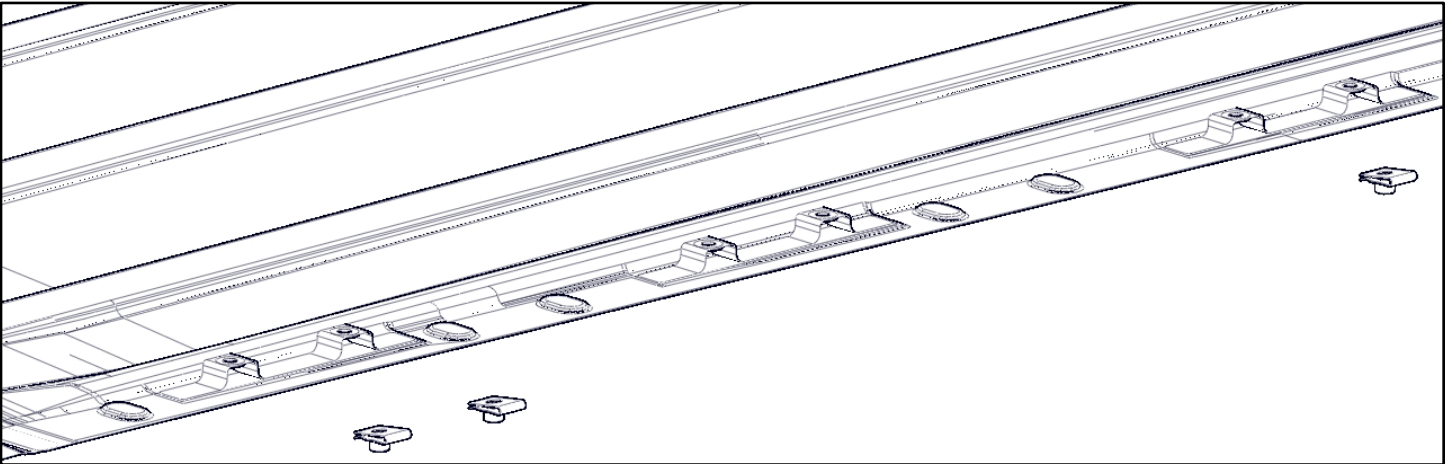
ITEM	HARDWARE TO SCALE	PART NUMBER	DESCRIPTION	QTY.
1		21810	5/16"-18 X 3/4" CARRIAGE BOLT	4
2		33080	5/16" WASHER	10
3		1171067	5/16" SPLIT LOCK WASHER	6
4		0169777	5/16"-18 LOCK NUT	4
5			M8X20MM FHCS	4
6		11103244	M8-1.25 X 25MM SHOULDER HEAD CAP SCREW	6
7			M8 U-NUT	10
8		1133082	3/8" WASHER	8
9		1133622	3/8" LOCK WASHER	8
10		11241196	3/8"-16 X 3/4" HEX HEAD BOLT	8

Step 1 – Rear Mount Location

- Locate rear mounting locations as shown below.



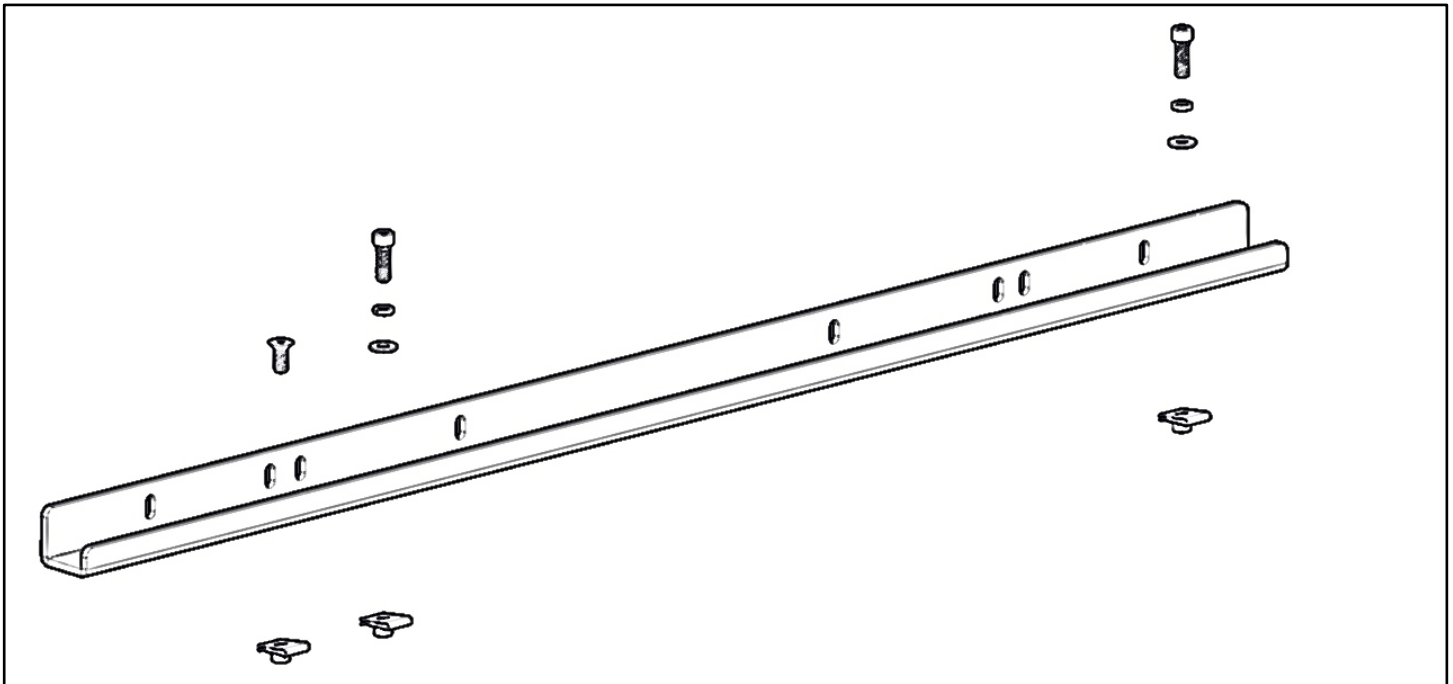
- Slide U-nut over the mounts in the locations shown. In the forward most of the two locations, only install one U-nut.



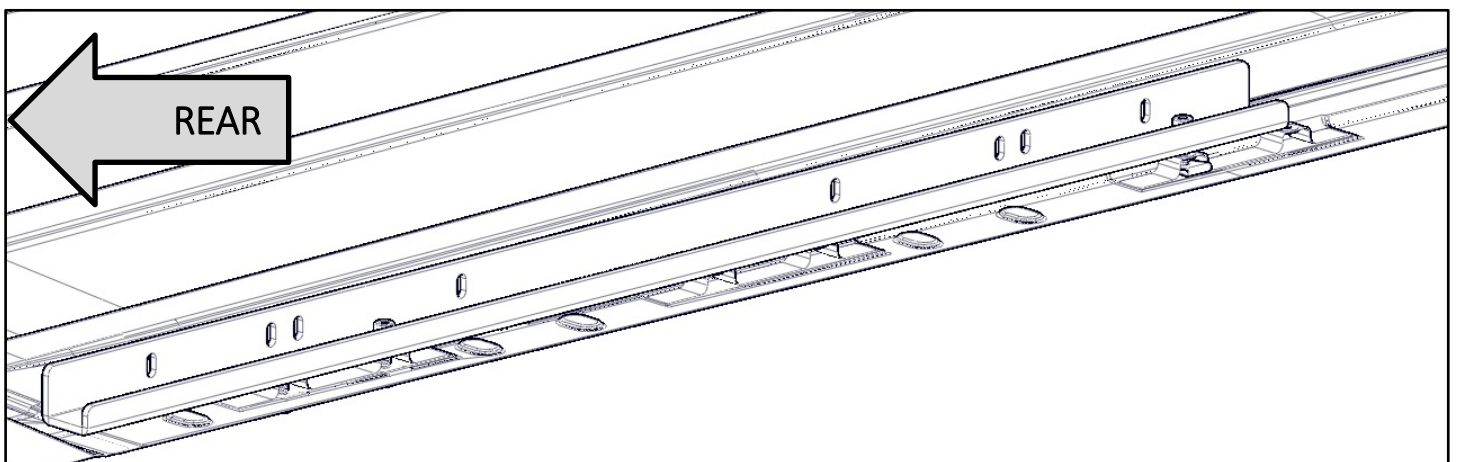
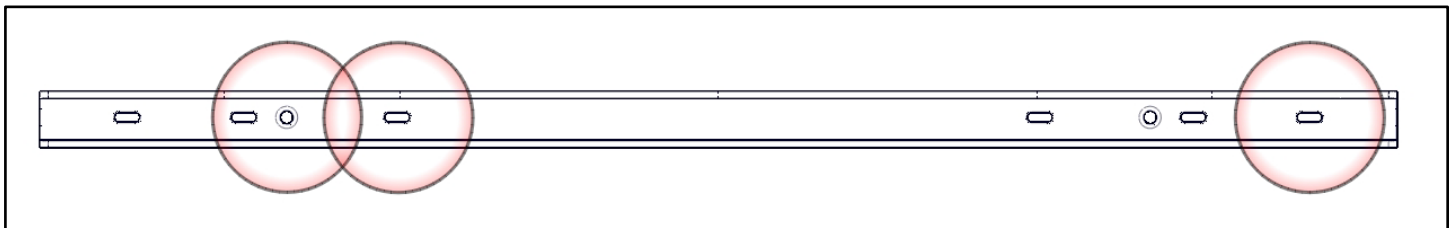
- Repeat on opposite side of van

Step 2 – Attach Rear Rail

- Bolt the long rail to the installed U-nuts. The tall flange goes to the center of the van.
- Bolt through the first slot at the front of the rail using a M8 x 25mm socket head cap screw, a 5/16" lock washer and a 5/16" flat washer.
- At the corresponding locations at the rear of the rail, install a M8 x 20mm flat head.
- At the second corresponding location, bolt through the slot using a M8 x 25mm socket head cap screw, a 5/16" lock washer and a 5/16" flat washer.
- TIGHTEN the flat head and snug tighten others.

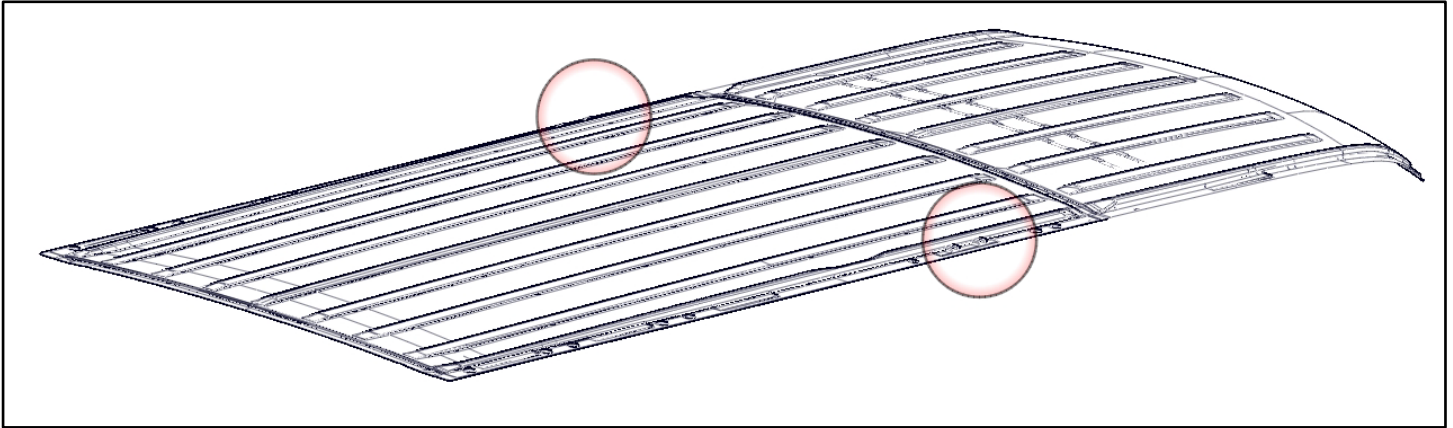


- Repeat on opposite side of van.

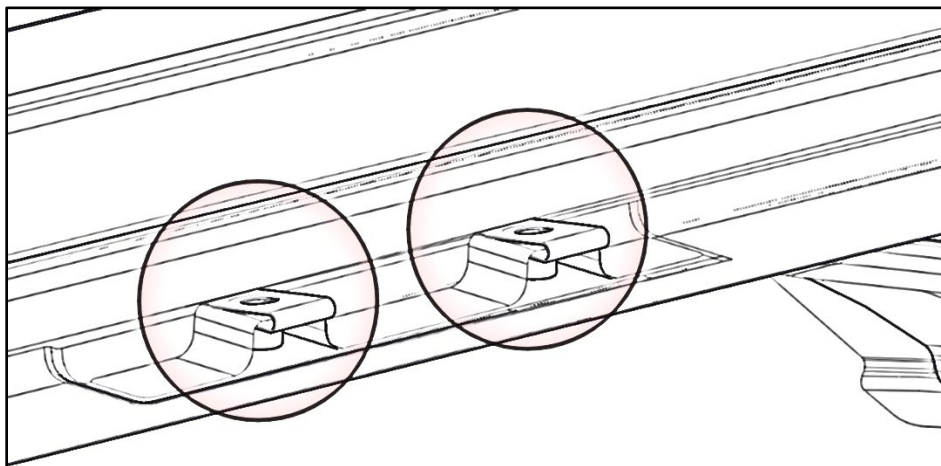
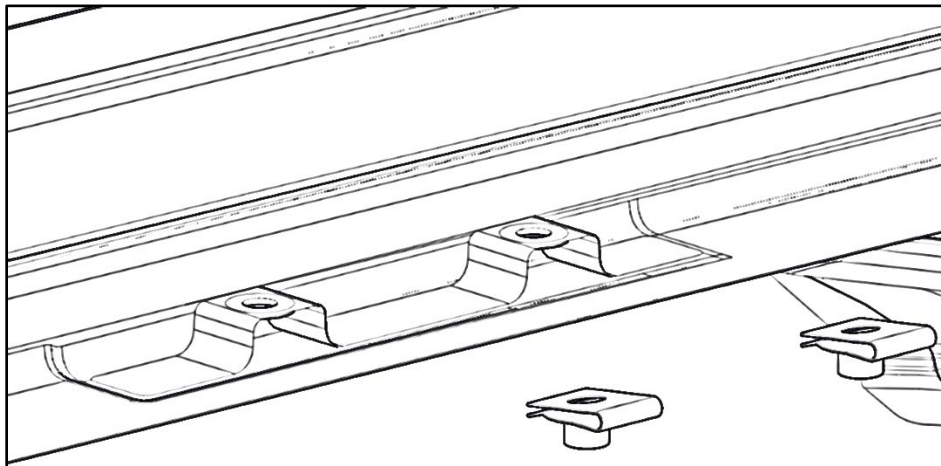


Step 3 – Front Mount Location

- Locate front mounting locations as shown below. (Low roof shown, High Roof will be in similar location)

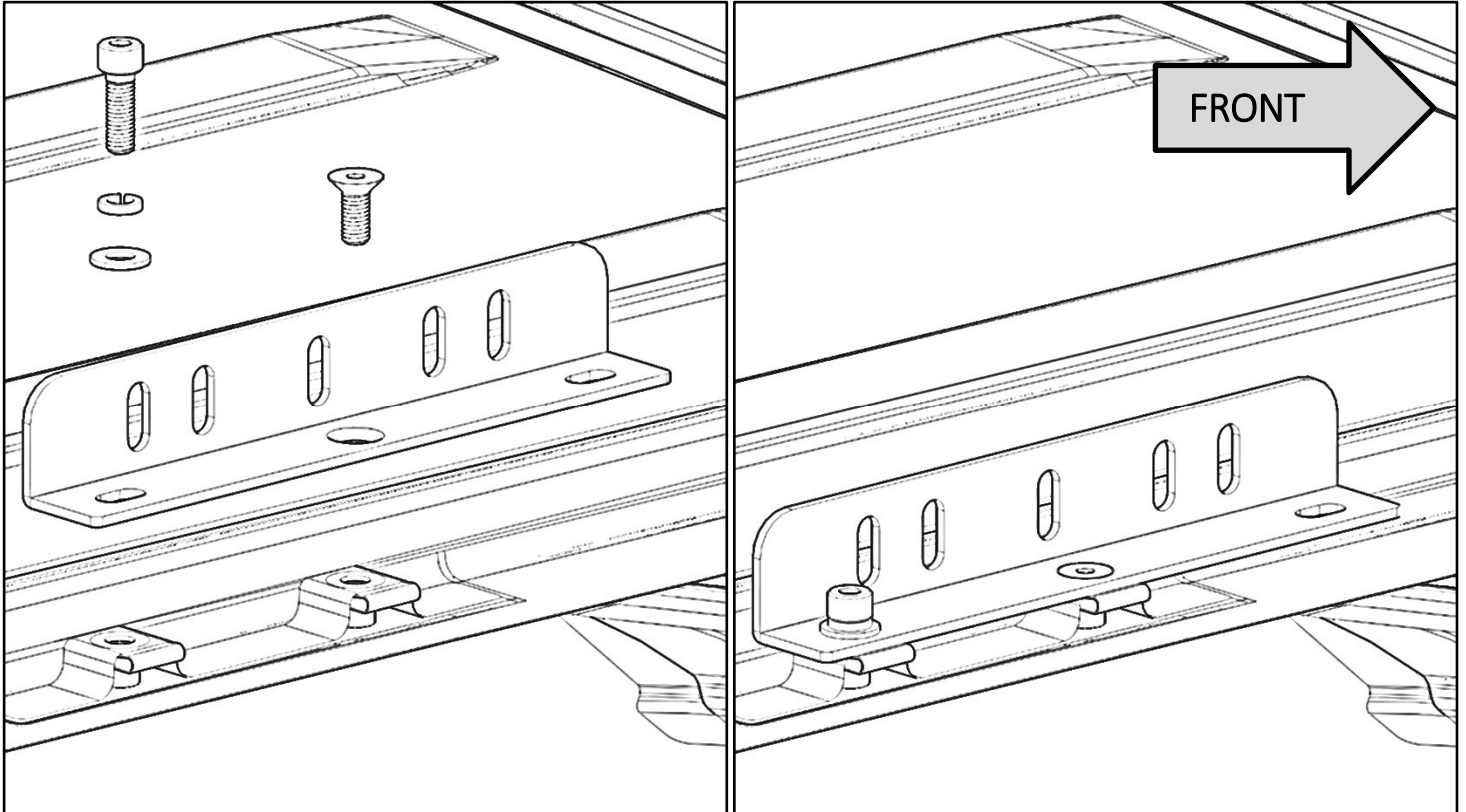


- Slide U-nut over the mounts shown below.
- Repeat on opposite side of van.



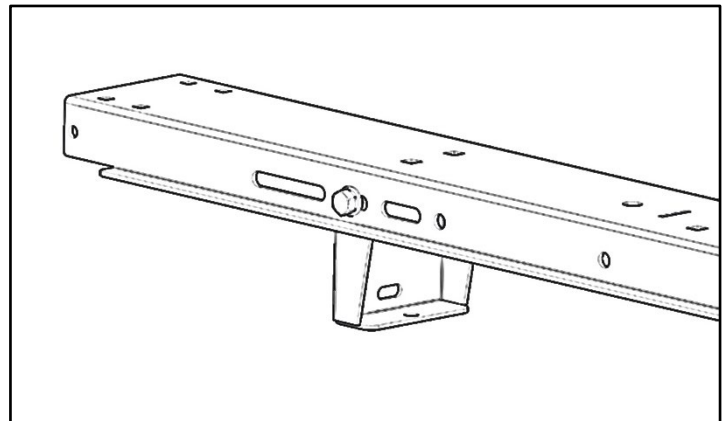
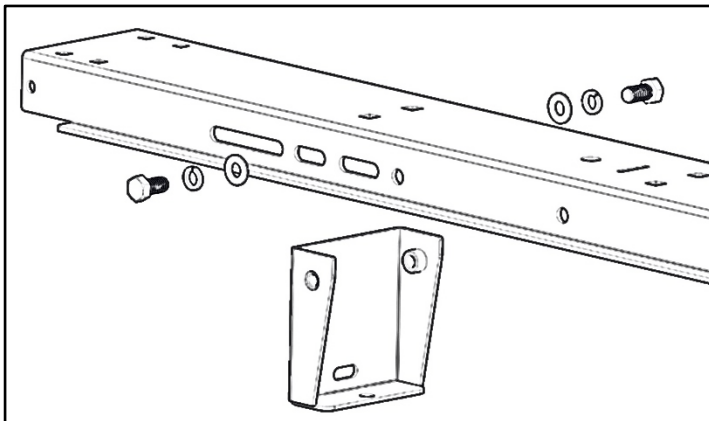
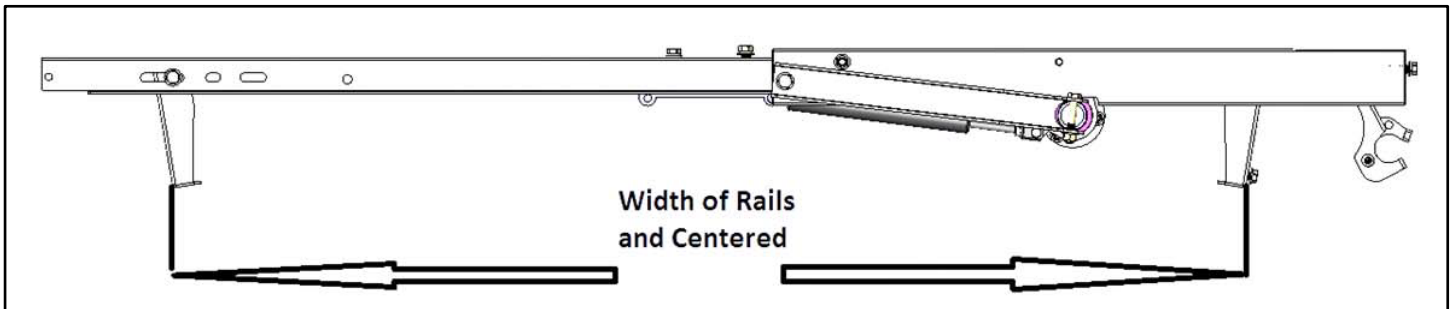
Step 4 – Attach Front Rail

- Place short rail on top of previously installed U-nuts as shown.
- Install the M8 x 20mm flat head in the counter sunk location at the center of the rail. Be sure to have the rail offset to the front.
- Bolt through the rear slot using a M8 x 25mm socket head cap screw, a 5/16" lock washer and a 5/16" flat washer.
- TIGHTEN the flat head and snug tighten the cap screw.
- Repeat on opposite side of van.



Step 5 - Installing Feet

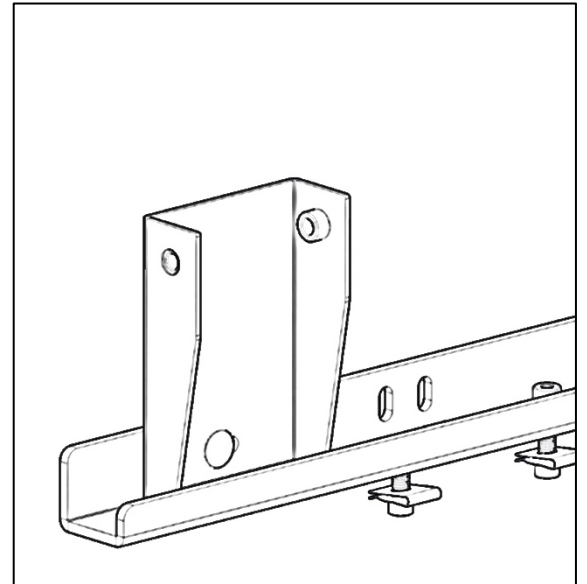
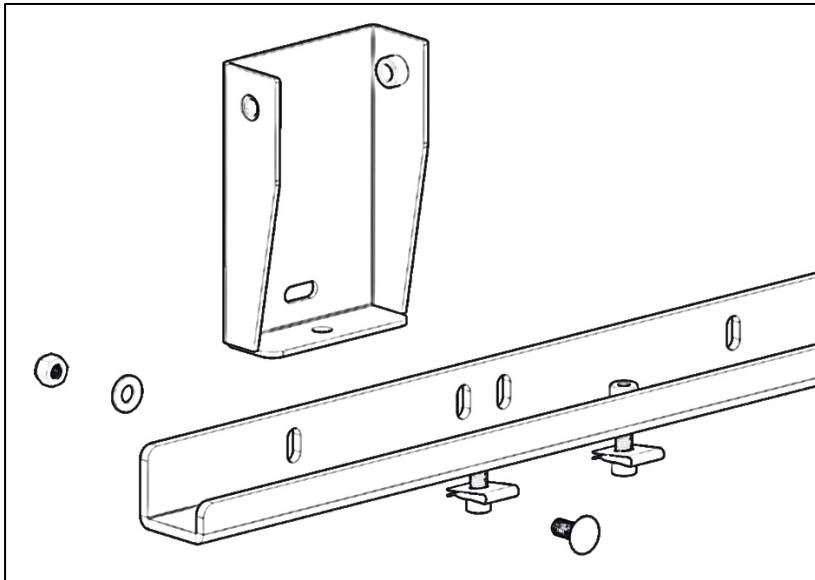
- Have rack assembled.
- Measure width between the mount rails on the van.
- On the cross bows, use the slots that correspond to the measured distance between rails.
- Feet can be installed as shown or reverse depending on how you mounted the rail.
- Using two 3/8" x 3/4" hex head bolt, two 3/8" lock washers and two 3/8" flat washers, bolt each foot to crossmembers as shown.
- Snug tighten, but allow movement. **DO NOT TIGHTEN** at this point.
- Design of feet may vary, but all foot mounting is the same.



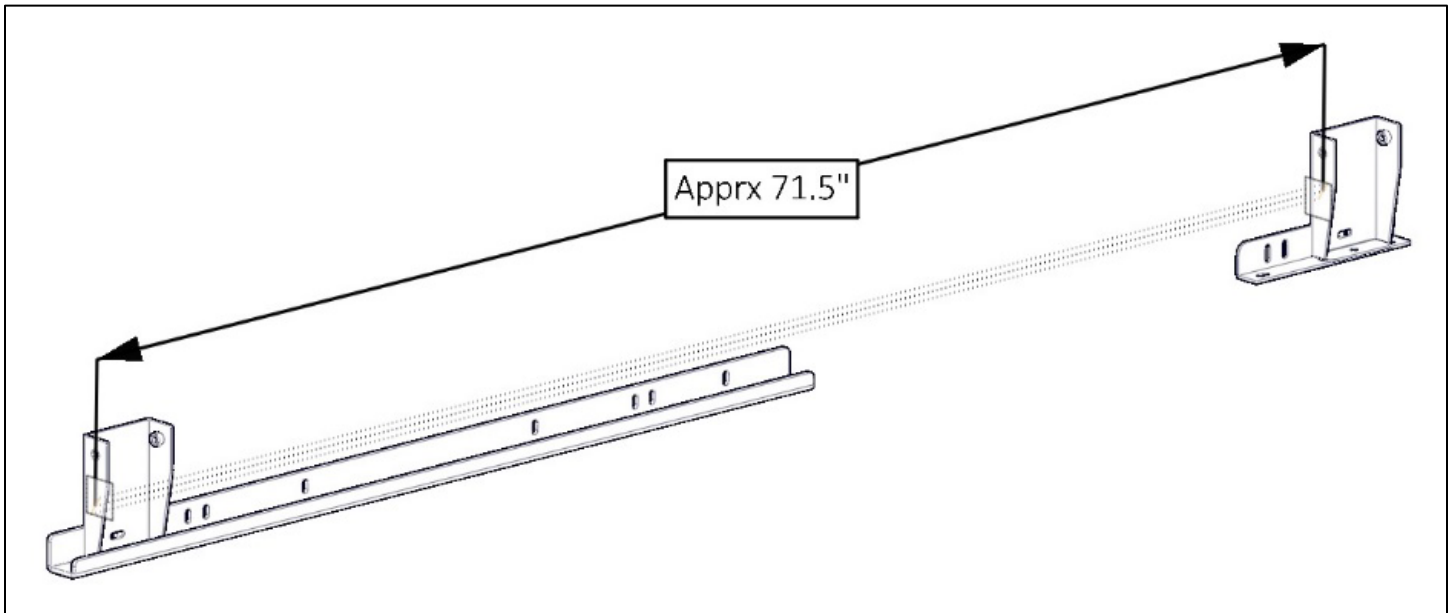
Step 6 – Install Rack

Rear

- Place rack with feet on top of previously installed rails.
- At the rear, loosely bolt through the foot and the rear-most slot in the long rail using a 5/16" carriage bolt, a 5/16" flat washer and a 5/16" lock nut in the order shown. (Rack is not shown for clarity.) **DO NOT TIGHTEN** at this point.

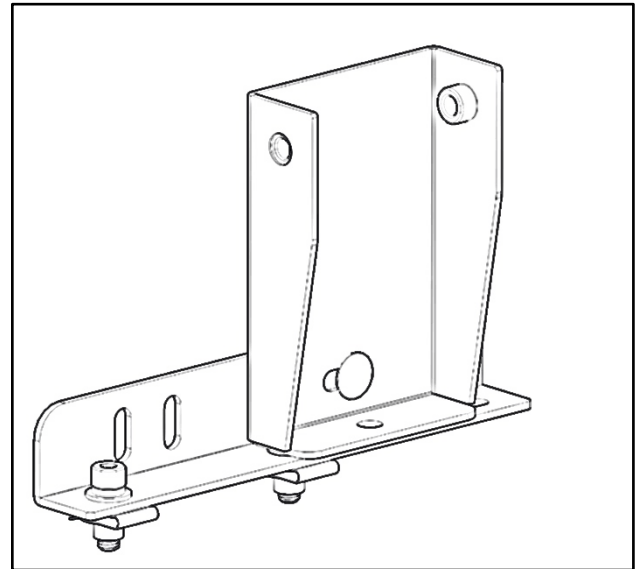
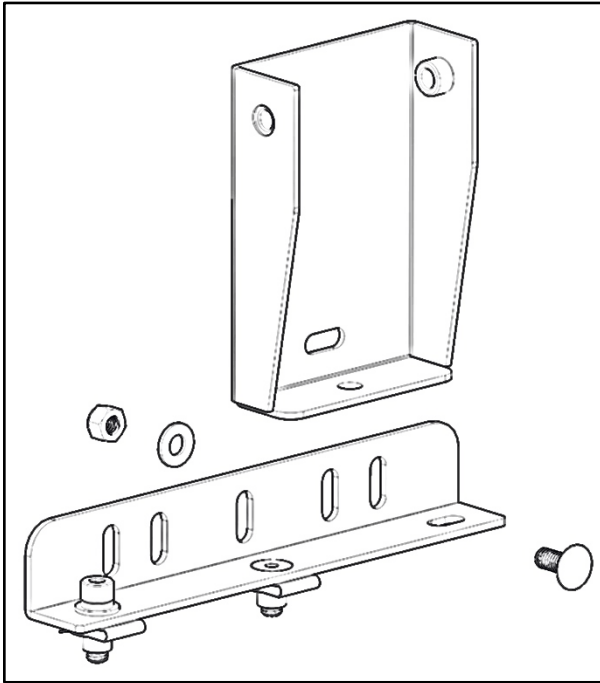


- The two feet should be approximately 71.5" apart.



Front

- At the front, using a 5/16" carriage bolt, a 5/16" flat washer and a 5/16" lock nut, bolt through the foot and the corresponding slot in the small rail in the order shown. (Rack is not shown for clarity.) **DO NOT TIGHTEN** at this point.
- Align and square the rack on the van.
- Tighten all hardware.



GO BACK AND ENSURE ALL HARDWARE IS TIGHT

Your installation is now complete.