

---

# Holman

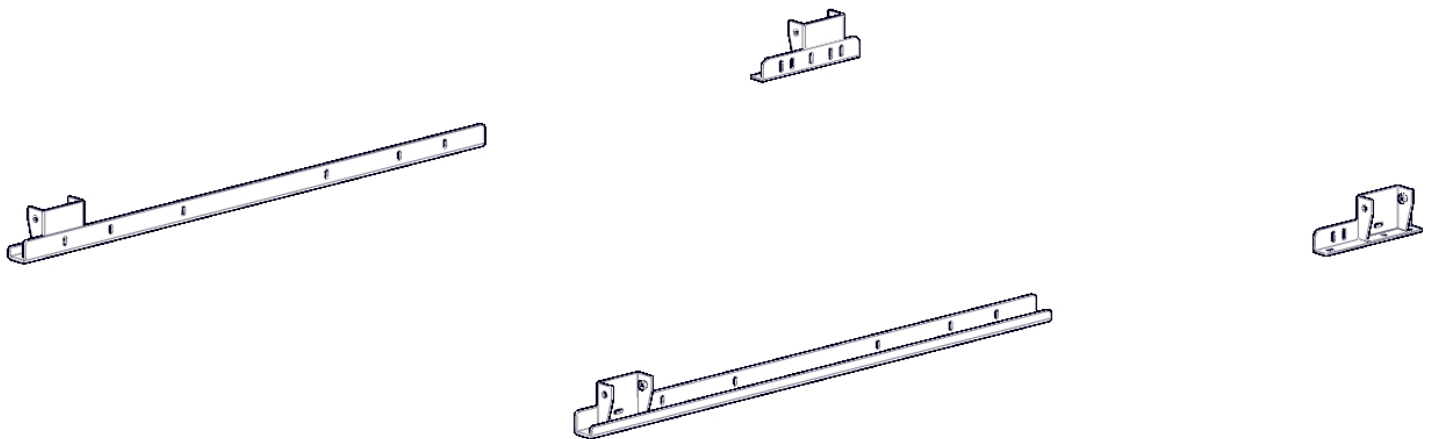
---

## Installation Guide

---

### 408NC

---



---

Kargo Master  
Rancho Cordova, CA 95742  
800-343-7486  
CustomerService@KargoMaster.com

---

---

**\*PLEASE READ ALL INSTRUCTIONS AND WARNINGS PRIOR TO ASSEMBLING,  
INSTALLING, AND USING THIS PRODUCT\***

---

## Warning



Always check for wires, fuel tanks and lines, brake lines and other important vehicle functionality items prior to drilling and installing all products.

---

## Tools Needed

1/2" Socket and Wrench	9/16" Socket and Wrench
5mm Allen Hex	6mm Allen Hex
Tape Measure	

---

## Table of Contents

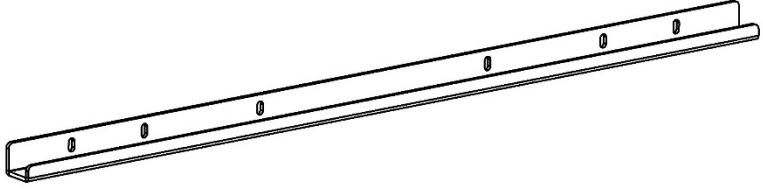
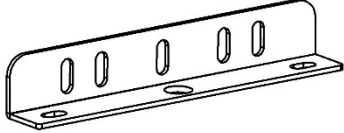
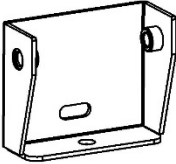
Parts List .....	2
Hardware List .....	3
Step 1 – Rear Mount Location .....	4
Step 2 – Attach Rear Rail .....	5
Step 3 – Front Mount Location .....	6
Step 4 – Attach Front Rail .....	7
Step 5 – Installing Feet .....	8
Step 6 – Install Rack .....	9-10

---

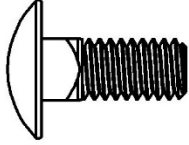
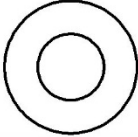


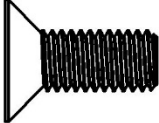
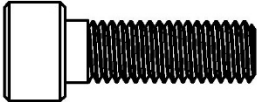
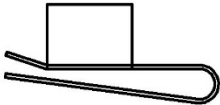
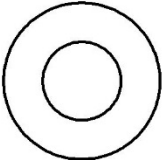

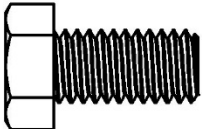
## Before You Begin

- Read all instructions.
- Have ladder rack already assembled and ready to be installed.

## Parts

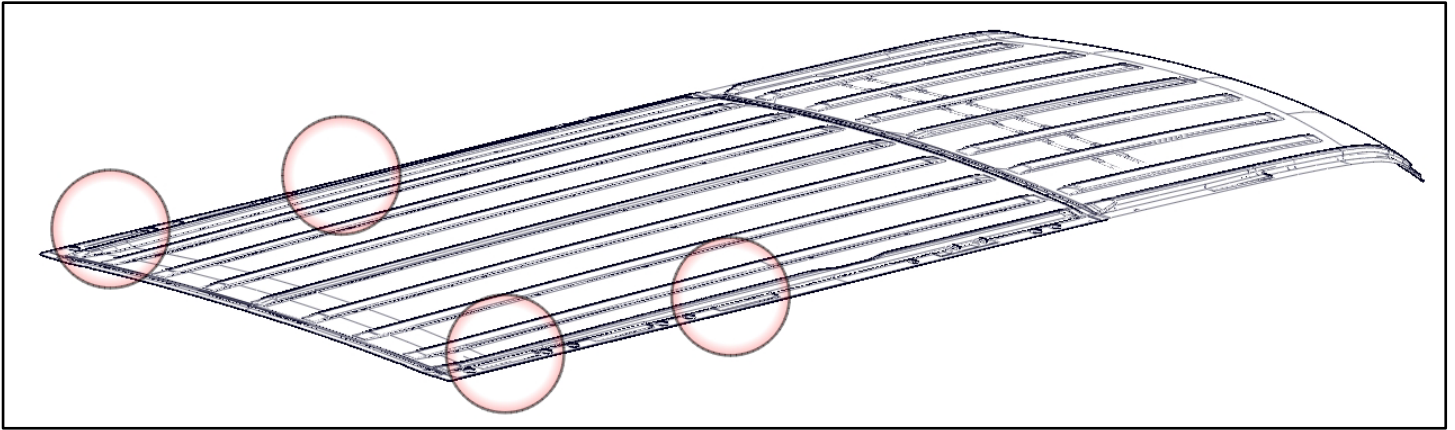
ITEM NO.		PART NUMBER	DESCRIPTION	QTY.
A		4A901-10-001	Long Rail	2
B		4A903-10-001-R2	Short Rail	2
C		408TC-00-001	Short Foot	4
		18-408NC	Hardware	1

## Hardware

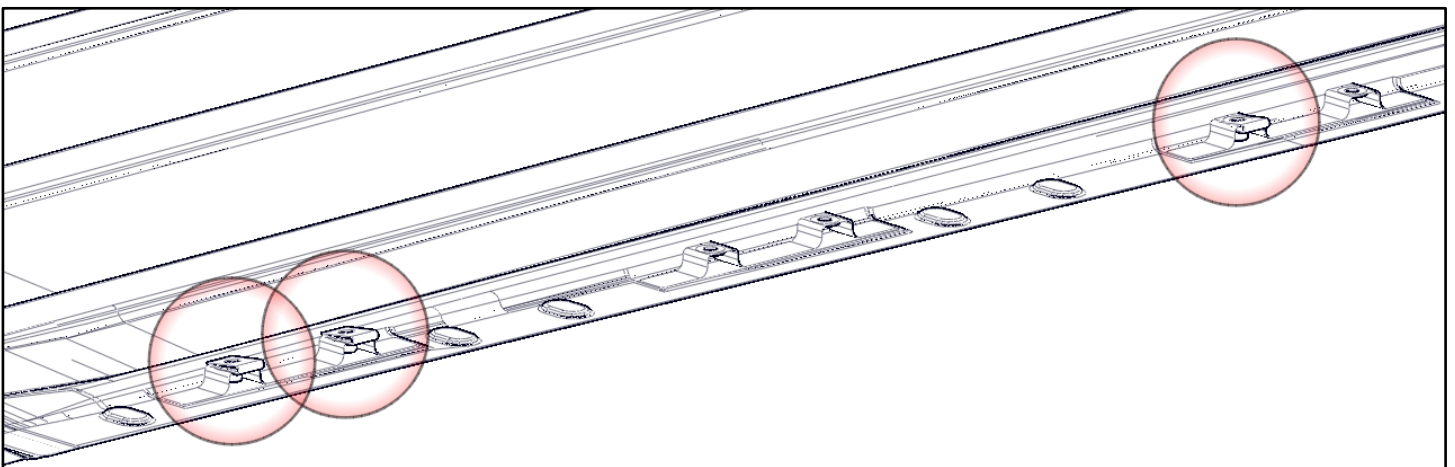
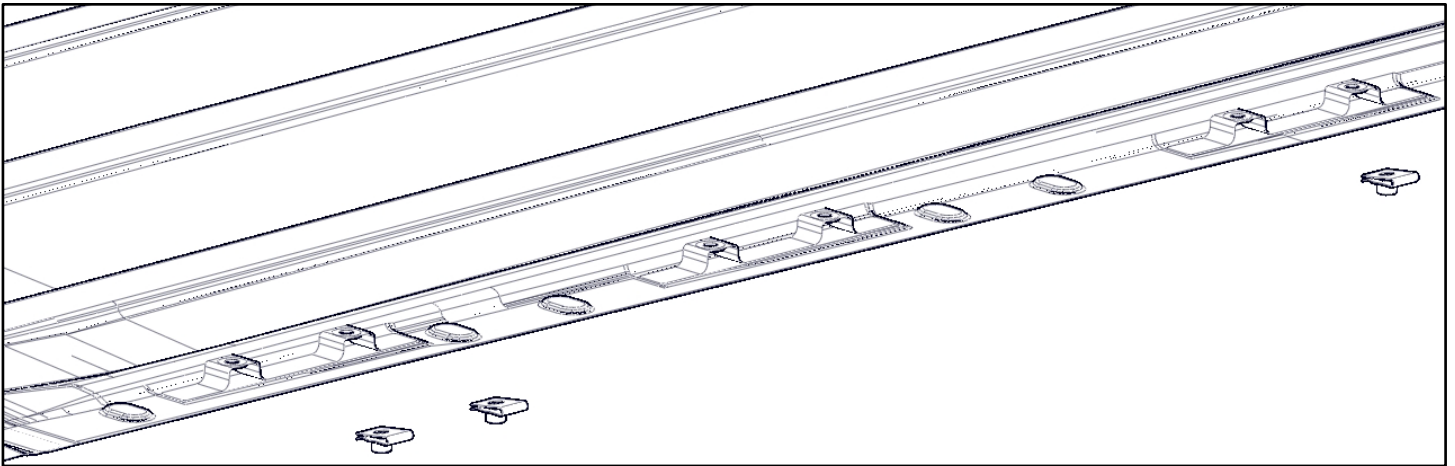
ITEM NO.	TO SCALE	PART NUMBER	DESCRIPTION	QTY.
1		90185A581	5/16 x 3/4" Carriage Bolt	4
2		90126A030	5/16 Flat Washer	10
3		91102A755	5/16 Split Lock Washer	6
4		95615A160	5/16-18 Nyloc	4
5		91263A845	M8x20mm FHCS	4
6		90128A276	M8x25mm SHCS	6
7		95210A190	M8 U-Nut	10
8		90126A031	WASHER, FLAT, 3/8, SAE	8
9		91102A760	.375 Split Lock Washer	8
10		92865A622	3/8-16 x 3/4" Hex Head	8

## Step 1 – Rear Mount Location

- Locate rear mounting locations as shown below.



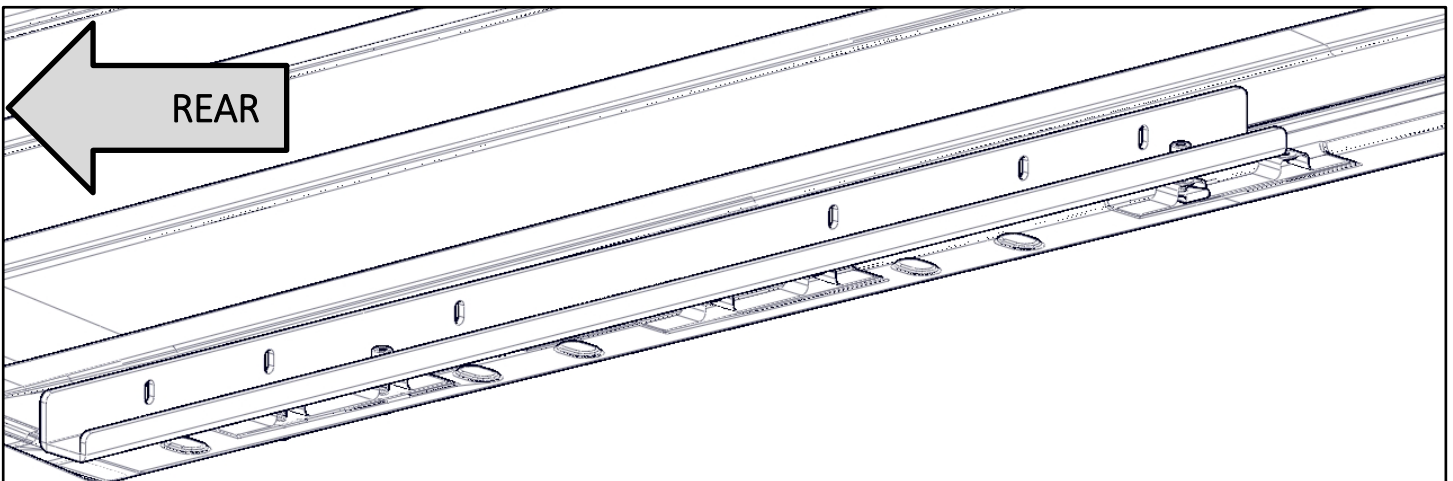
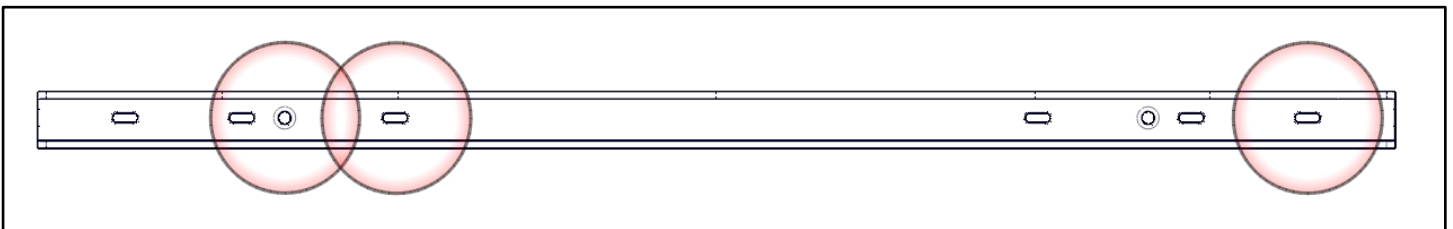
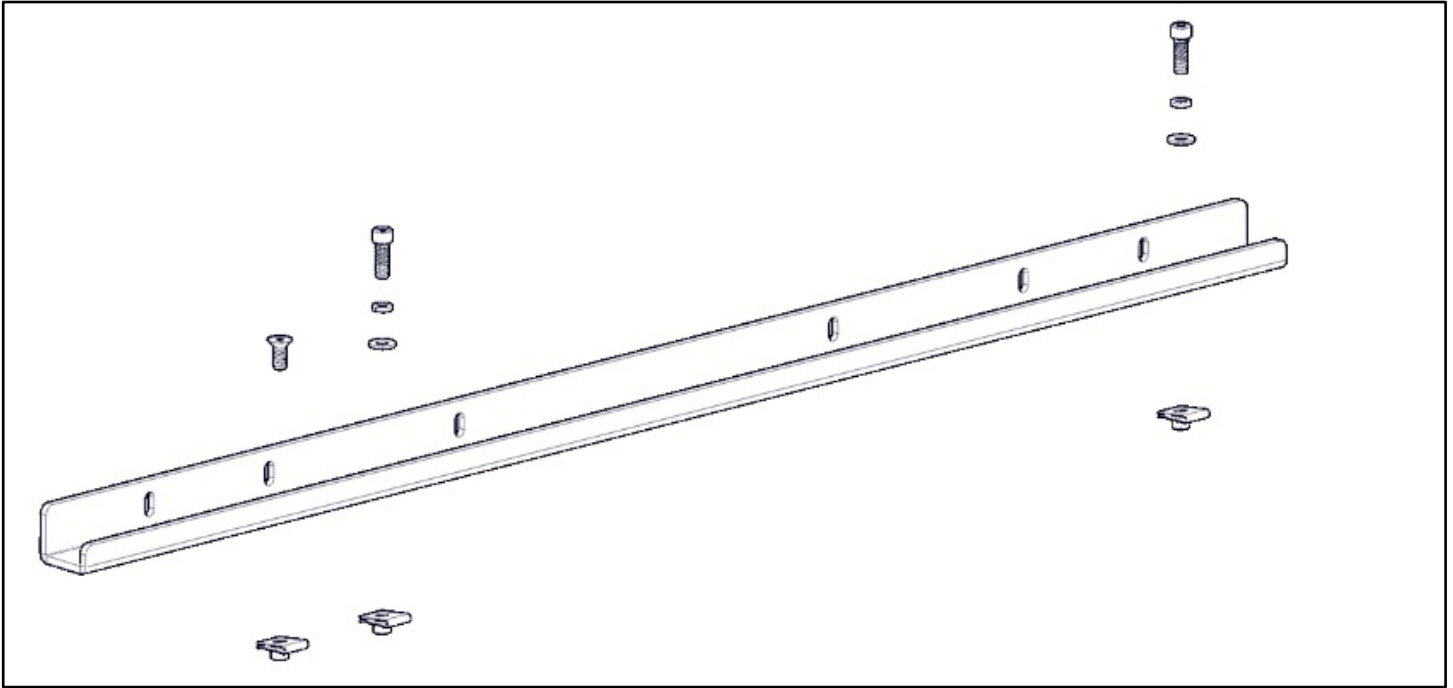
- Slide U-Nut over the mounts in the locations shown. In the front of the two locations, only install one U-Nut.



- Repeat at both sides of van

## Step 2 – Attach Rear Rail

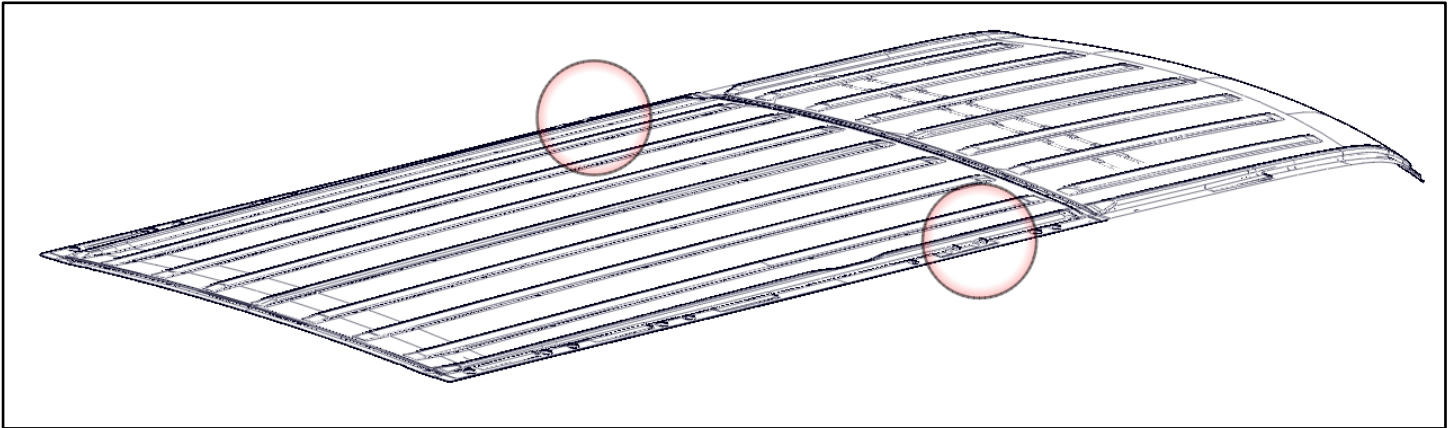
- Bolt the long rail to the installed U-Nuts. The tall flange goes to the center of the van.
- Bolt through the first slot at the front of the rail using a M8 x 25mm socket head cap screw, a 5/16" lock washer and a 5/16" flat washer.
- Use the corresponding locations at the rear of the rail. Install the M8 x 20mm flat head in the counter sunk location. Bolt through the slot using a M8 x 25mm socket head cap screw, a 5/16" lock washer and a 5/16" flat washer.
- TIGHTEN the flat head, Snug tighten others.
- Repeat on other side of van.



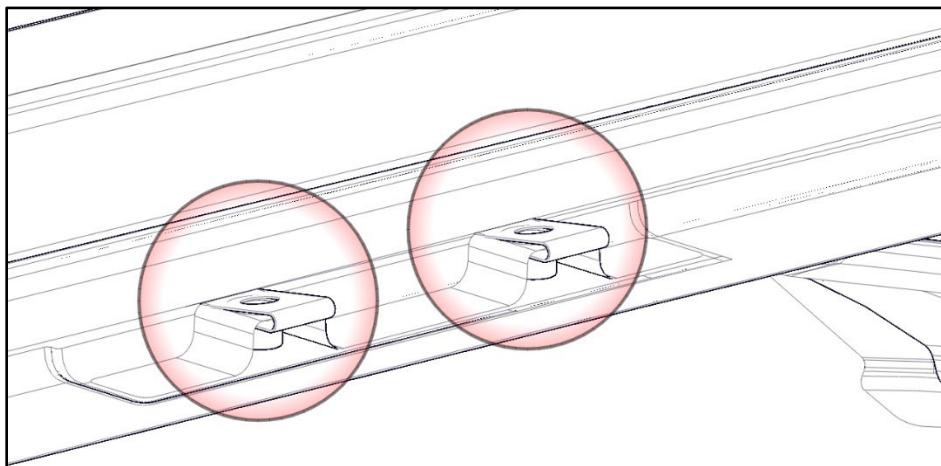
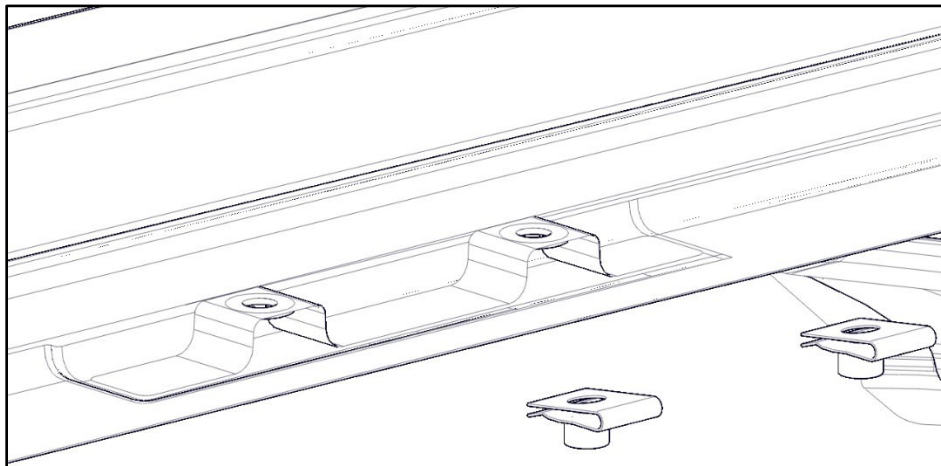


## Step 3 – Front Mount Location

- Locate front mounting locations as shown below. (Low roof shown, High Roof will be in similar location)

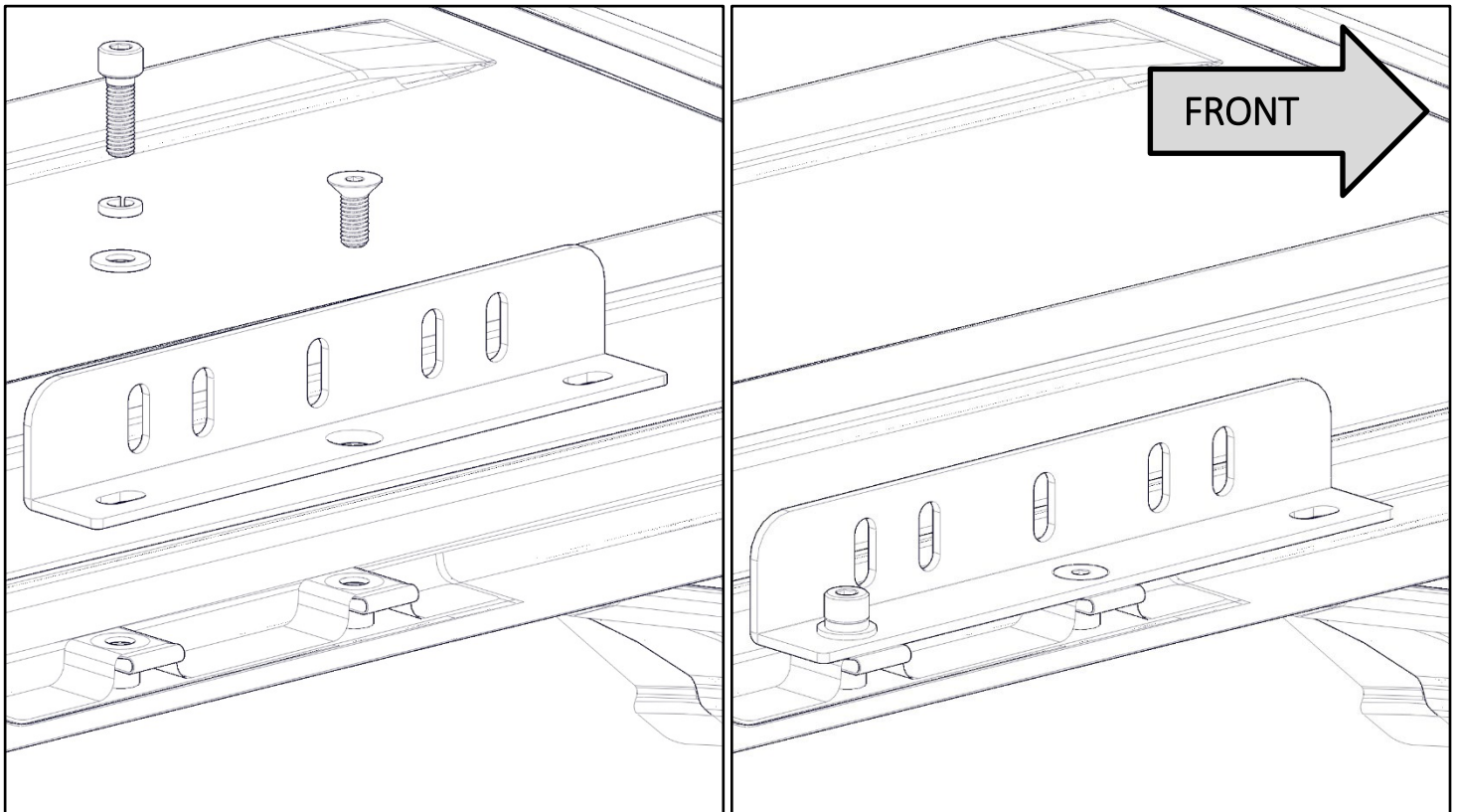


- Slide U-Nut over the mounts shown below.
- Repeat on both sides of van.



## Step 4 – Attach Front Rail

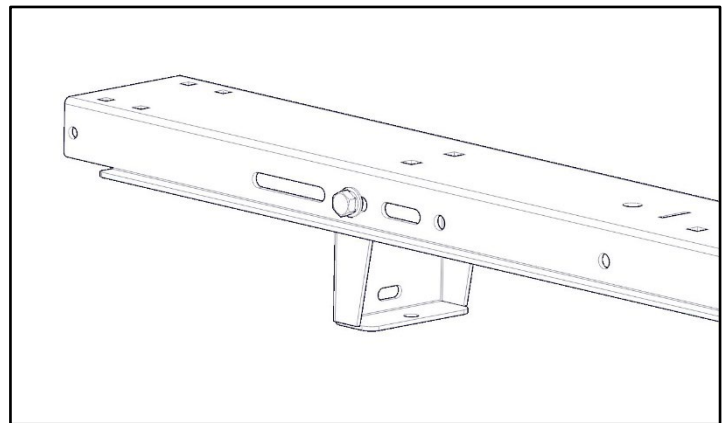
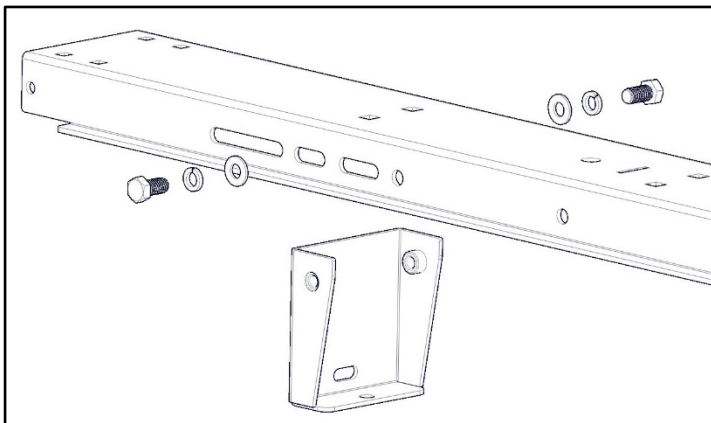
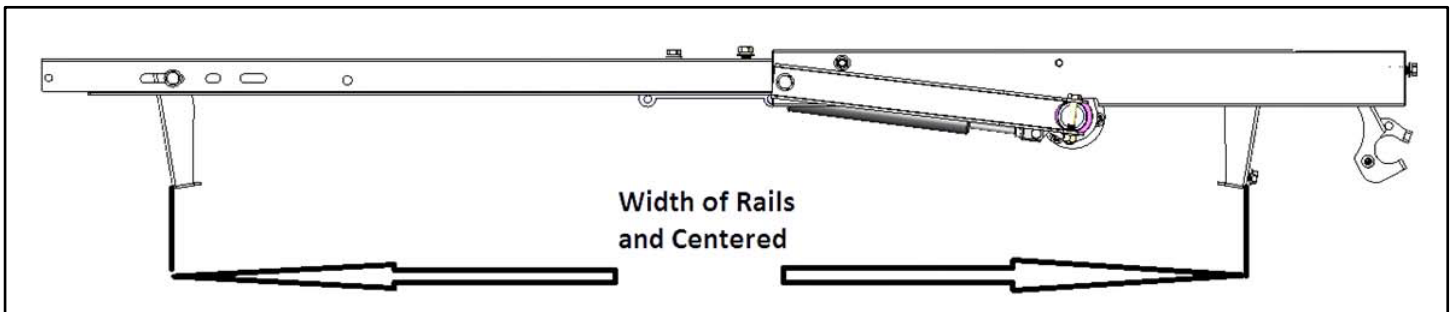
- Place short rail on top of previously installed U-Nuts as shown.
- Install the M8 x 20mm flat head in the counter sunk location at the center of the rail. Be sure to have the rail offset to the front.
- Bolt through the rear slot using a M8 x 25mm socket head cap screw, a 5/16" lock washer and a 5/16" flat washer.
- TIGHTEN the flat head, Snug tighten the cap screw.
- Repeat on other side of van.





## Step 5 - Installing Feet

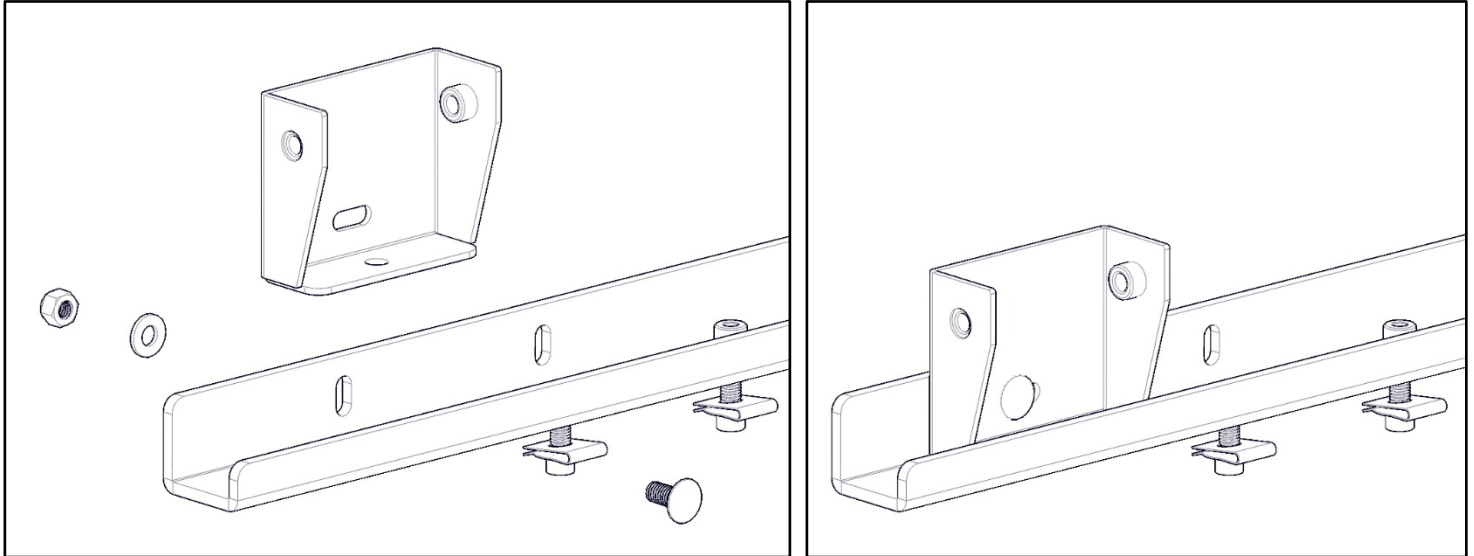
- Have rack assembled.
- Measure width between the mount rails on the van.
- On the cross bows, use the slots that correspond to the measured distance between rails.
- Bolt feet to bows as shown, DO NOT TIGHTEN at this point.
- Feet can be installed as shown or reverse depending on how you mounted the rail.
- Use a 3/8" x 3/4" hex head bolt, 3/8" lock washers and a 3/8" flat washer to bolt feet to crossmembers. Snug Tighten, but allow movement.
- Design of feet may vary, but all foot mounting is the same.



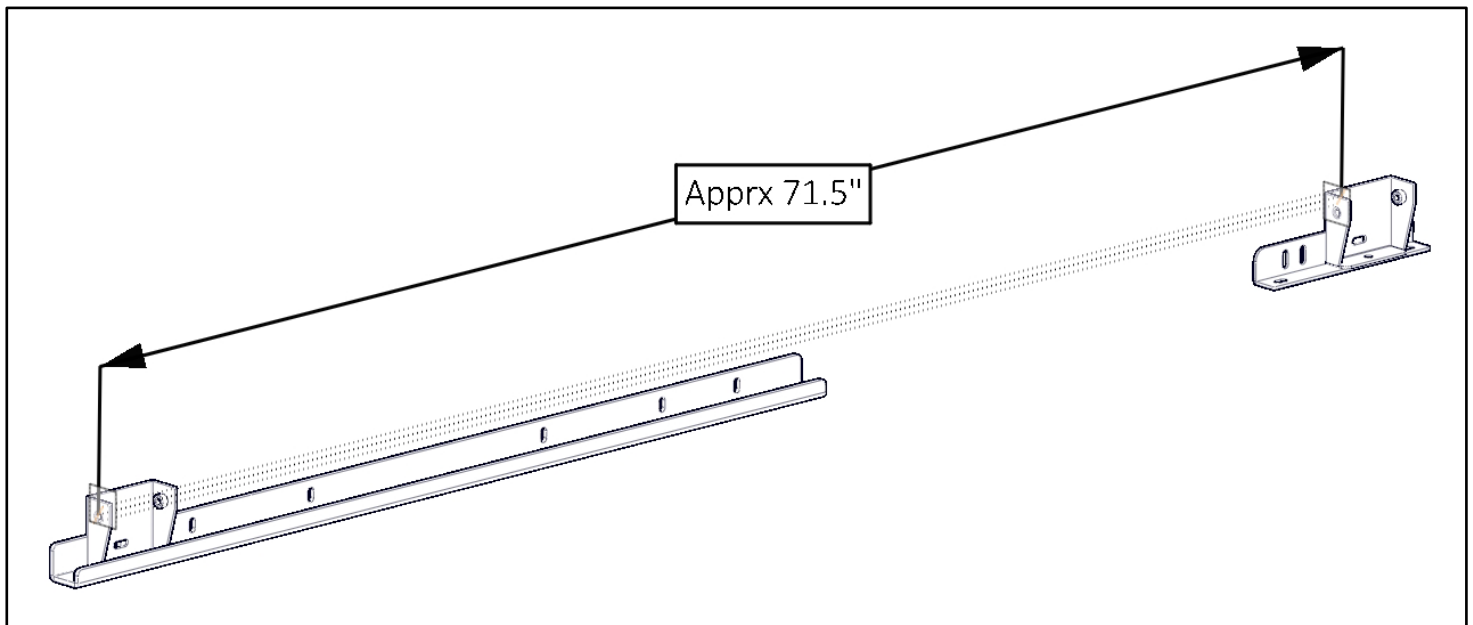
## Step 6 – Install Rack

### Rear

- Place rack with feet on top of previously installed rails.
- At the rear, bolt through the foot and the rear-most slot in the long rail using a 5/16" carriage bolt, a 5/16" flat washer and a 5/16" nyloc in the order shown. (Rack is not shown for clarity)

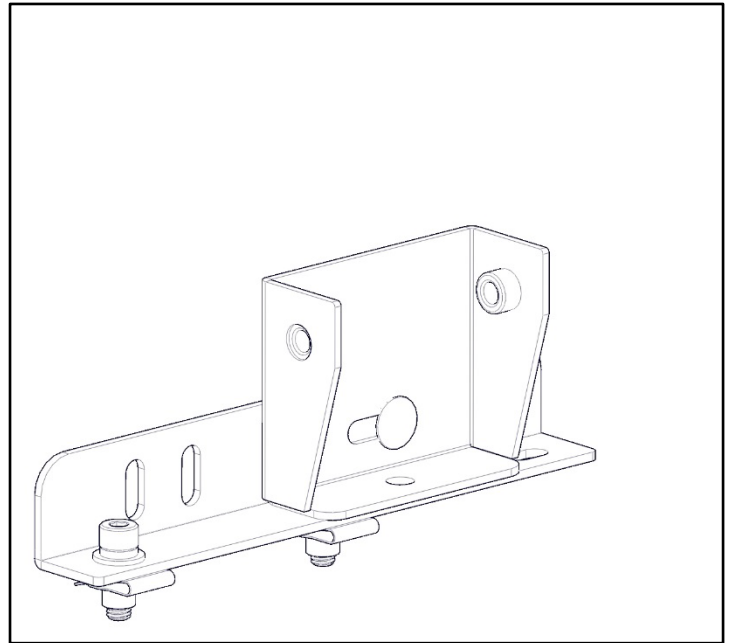
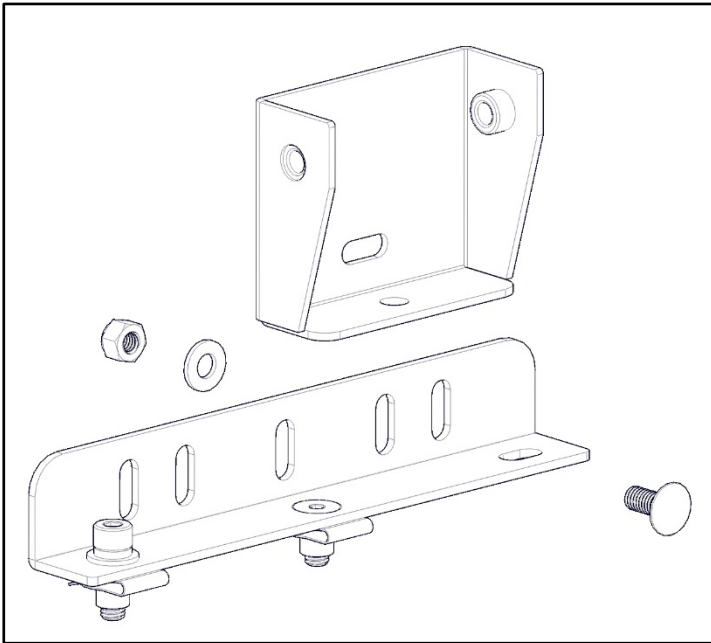


- The two feet should be approximately 71.5" apart.



## Front

- At the front, bolt through the foot and the corresponding slot in the small rail using a 5/16" carriage bolt, a 5/16" flat washer and a 5/16" nyloc in the order shown. (Rack is not shown for clarity)



Align and square the rack on the van.

**GO BACK AND ENSURE ALL HARDWARE IS TIGHT**

Your installation is now complete.