

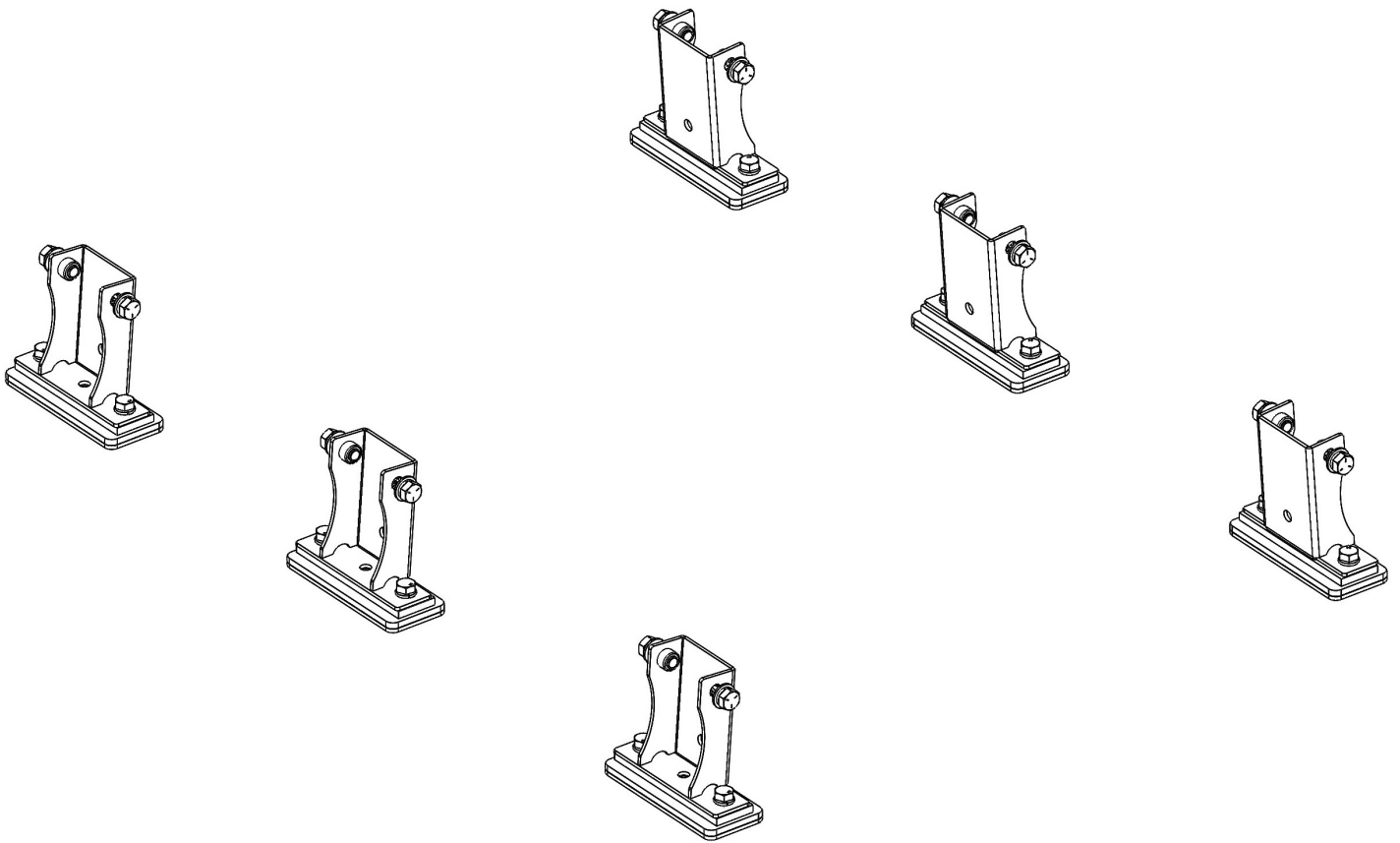
---

# Holman

---

## Installation Guide 4089T

---



---

Holman  
Rancho Cordova, CA 95742  
800-343-7486  
InstallationSupport@Holman.com

---

**\* PLEASE READ ALL INSTRUCTIONS AND WARNINGS PRIOR TO ASSEMBLING, INSTALLING, AND USING THIS PRODUCT. \***

## Warning



Always check for wires, fuel tanks and lines, brake lines and other important vehicle functionality items prior to drilling and installing all products.

## Tools Needed

9/16" Wrench and Socket	13mm Wrench and Socket
Tape Measure	

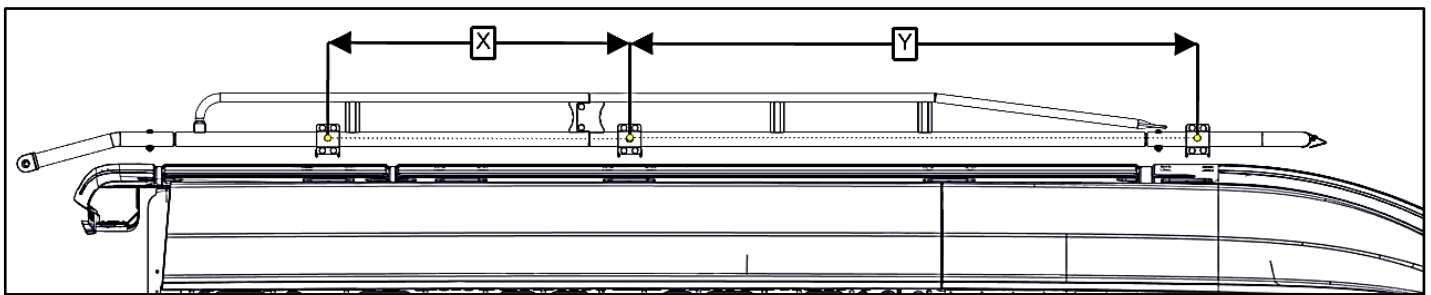
## Table of Contents

Parts List .....	2
Hardware List .....	2
Step 1 – Determine appropriate mounting locations .....	4
<u>Ford Transit Installation</u>	
Step 2A – TRANSIT – Install Feet.....	5
<u>Sprinter Installation</u>	
Step 2B – SPRINTER – Install Feet.....	6
<u>Nissan NV Installation</u>	
Step 2C – NV – Install Feet.....	7
Step 3 – Mount Rack .....	8

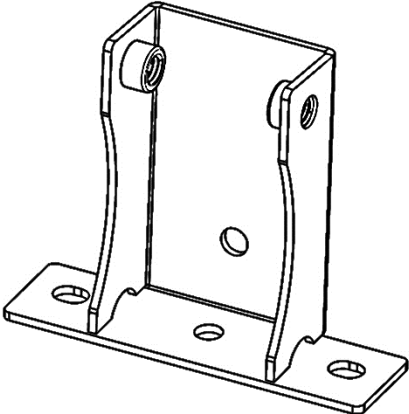
## Before You Begin

- There are different instructions for different vehicles. USE PROPER INSTALLATION.
- Follow the instructions included in the ladder rack to assemble the ladder rack.
- If installing on Ford Transit or a Sprinter, be sure to put sealant around exposed holes in the roof. Place sealant between the roof and the rubber pads.
- Some adjustment is going to be needed on the ladder rack itself to coordinate with the mount locations on the roof of the van. Use the dimensions measured from the roof mount locations and coordinate onto the rack crossbars (X & Y). Some slight adjustment will be needed once rack is placed onto roof.

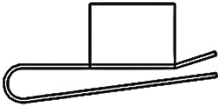

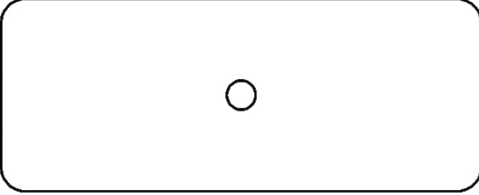
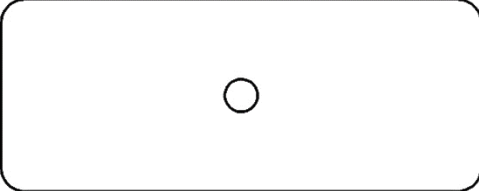

**\*\* BE SURE TO ADJUST RACK FAR ENOUGH TO THE REAR SO REAR DOORS OPEN. \*\***



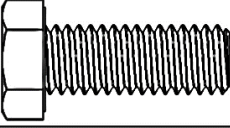
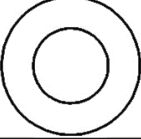
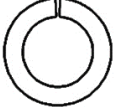
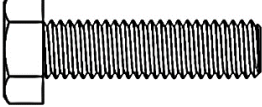
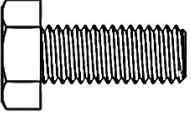
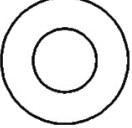
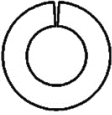

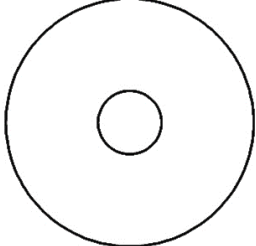
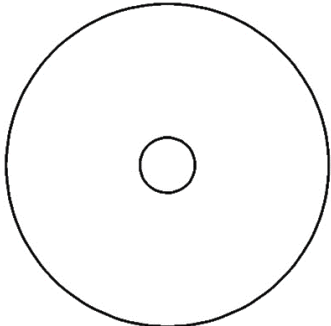
## Parts

ITEM NO.		PART NUMBER	DESCRIPTION	QTY.
1		4089A-T0-004	Aluminum Foot	6
		18-4089T	Hardware Kit	1

## Hardware

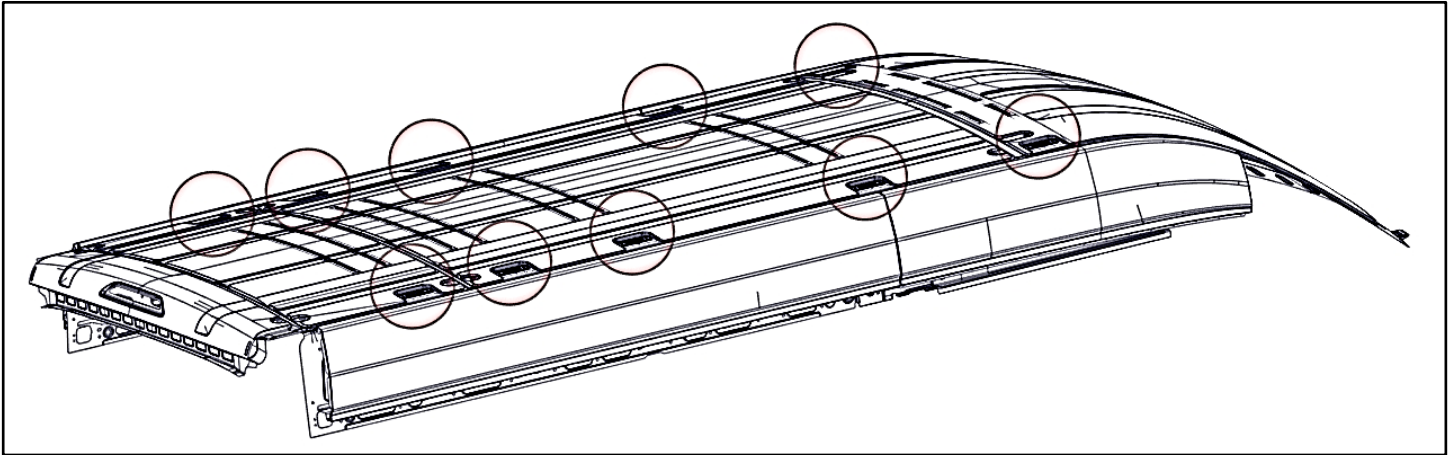
ITEM	HARDWARE TO SCALE	PART NUMBER	DESCRIPTION	QTY.
1		0162867	M8 U- Nut	12
2		40821-10-004	3 Hole Rubber Pad	6
3		T249-02	EPDM Rubber 3MM	6
4		T250-01	Transit Roof Plate	6
5			Sealant	1

## Hardware (Continued)

ITEM	HARDWARE TO SCALE	PART NUMBER	DESCRIPTION	QTY.
6		70105	3/8-16 X 1" HEX HEAD BOLT	12
7		11541089	3/8" WASHER	12
8		0123496	3/8" SPLIT LOCK WASHER	12
9		11552488	M8-1.25 X 30MM HEX HEAD BOLT	6
10		11552486	M8-1.25 X 20MM HEX HEAD BOLT	12
11		11545144	5/16" FLAT WASHER	12
12		1171067	5/16" LOCKING WASHER	18
13		11511017	M8-1.25 NYLON NUT	6
14		33216	5/16" FENDER WASHER	6
15			5/16" RUBBER FENDER WASHER, 1-3/4" OD X 1/8" THK	6

## Step 1 – Determine appropriate mounting locations

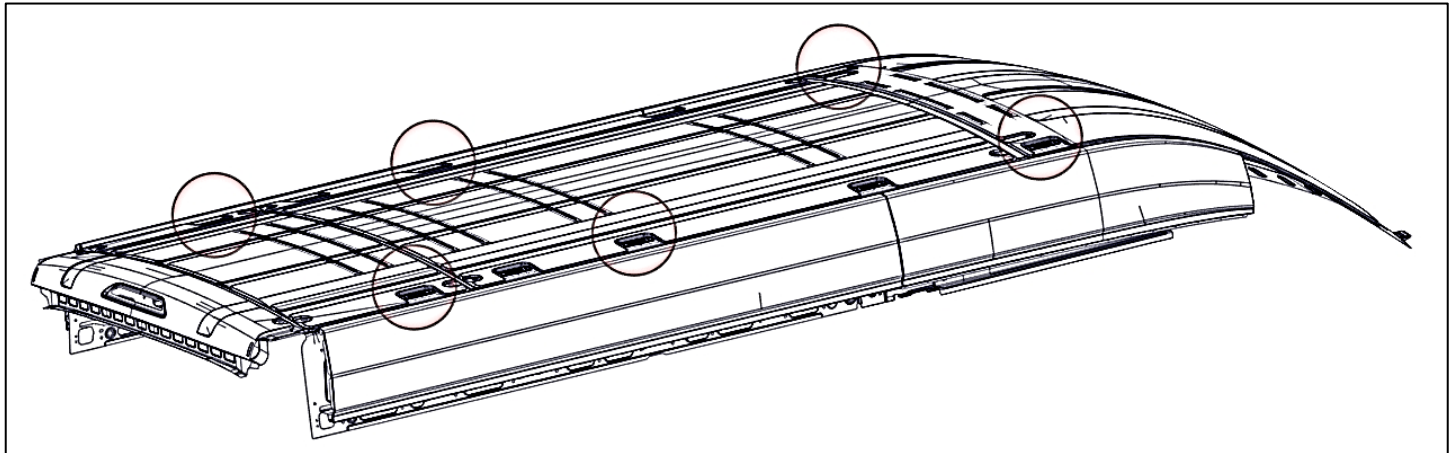
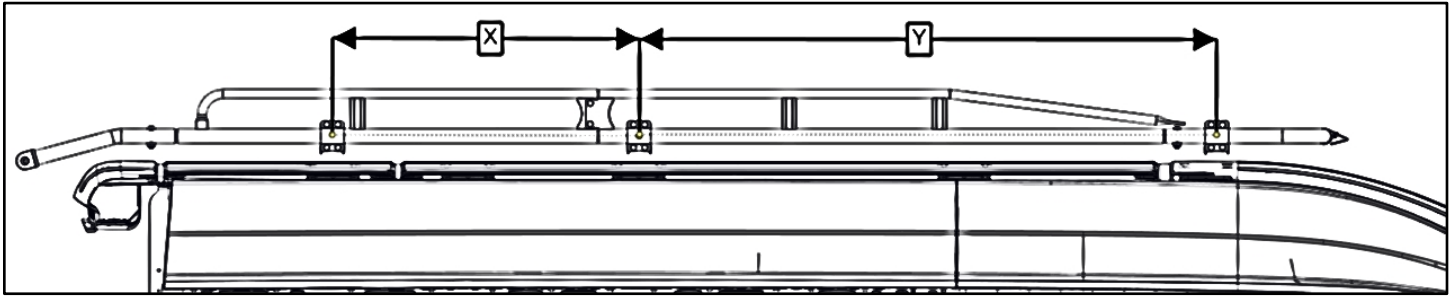
- Locate threaded embosses along the roof of the van.
- Use a tape measure to measure these locations.
- Compare these locations with the rack and determine which locations you would like to use. Shown below is the threaded embosses on a High Roof, Long Wheel Base Transit for reference. Mount locations will vary dependant on which vehicle rack is mounted on.



**\*\* We recommened using the rear most, middle and front most mount location on the Transit installations shown below. \*\***

- Use the dimensions (X & Y) measured from the roof mount locations and coordinate onto the rack crossbars. Some slight adjustment will be available once rack is placed onto roof.

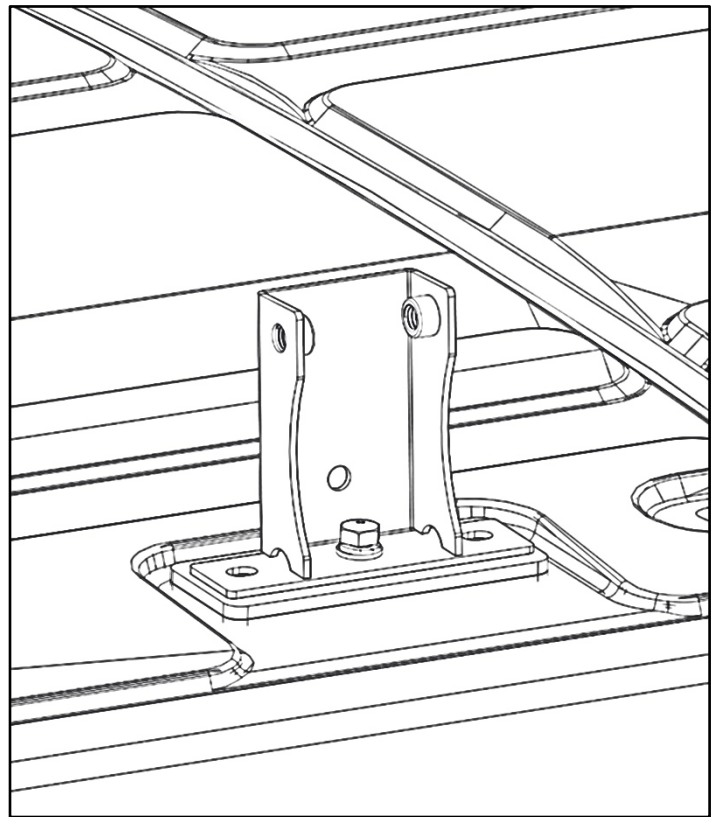
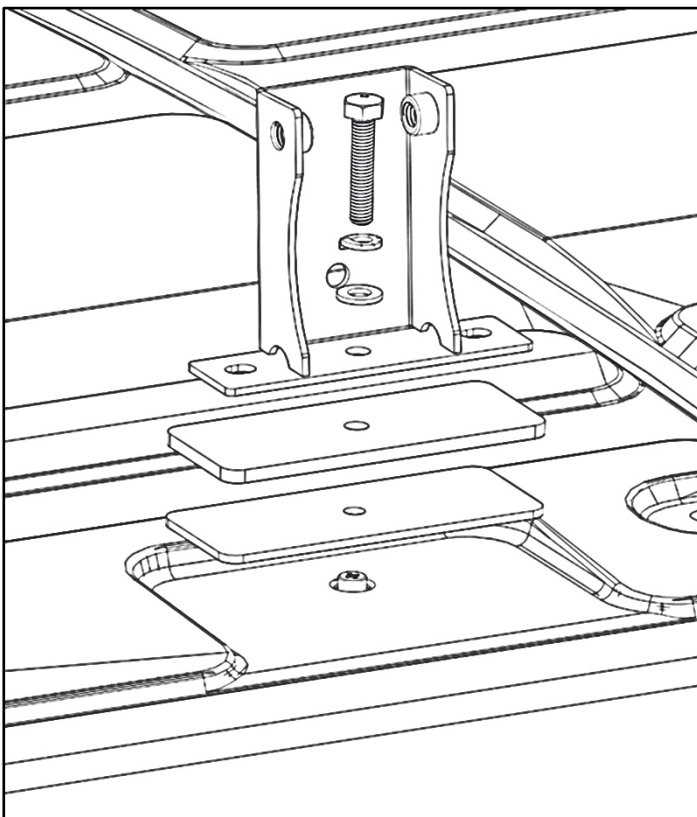
**\*\* BE SURE TO HAVE THE RACK ADJUSTED FAR ENOUGH TO THE REAR SO THAT ONE HAS FULL FUNCTION OF THE REAR DOORS. \*\***



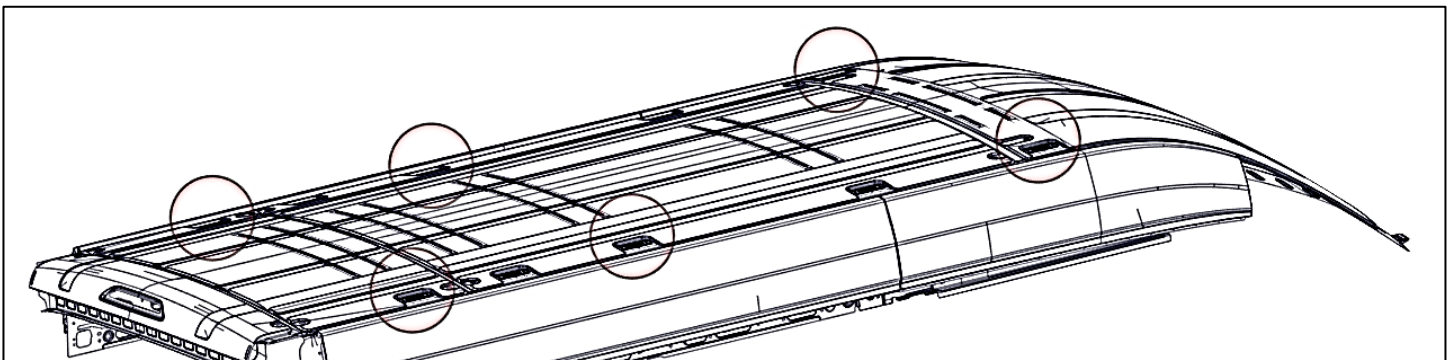
## Step 2A – TRANSIT – Install Feet

- In the chosen mount locations, mount the feet using M8 x 30mm bolts with 5/16" lock washers and 5/16" flat washers.
- Be sure to put the T-249-01 and rubber pad as shown, the rubber pad is between T249-01 and the van, to comply with the Ford bulletin "Q249".
- Have the opening of the foot facing to the outside of the van if possible.
- Repeat on all mount locations.
- Snug tighten, but allow for movement during rack installation.

Be sure to place sealant in and around threaded emboss in roof to ensure no water gets into cabin of van.



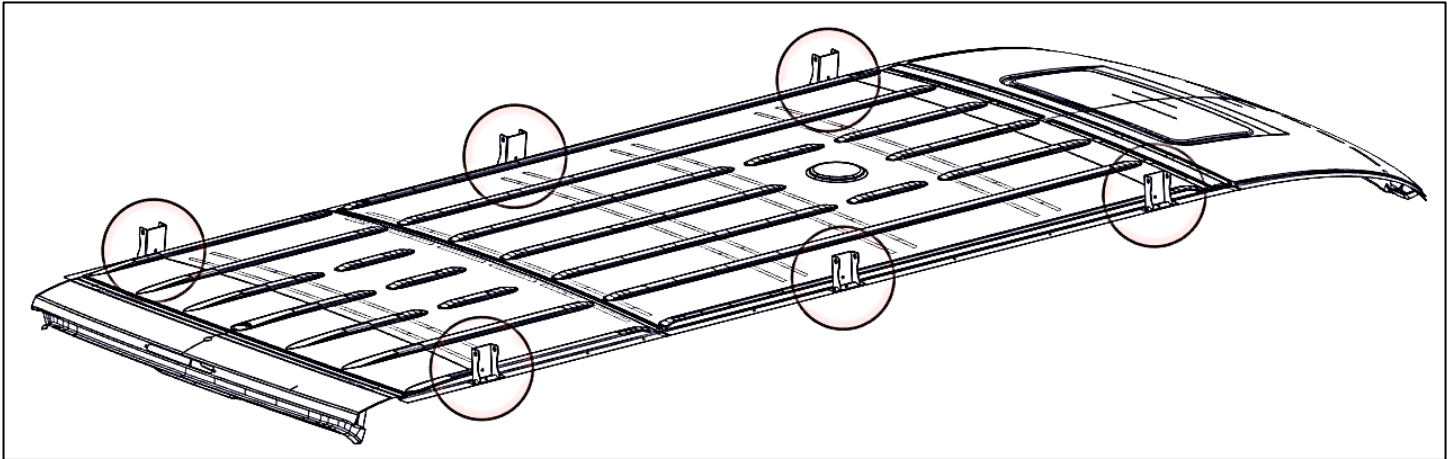
- Repeat for all other decided mount locations.





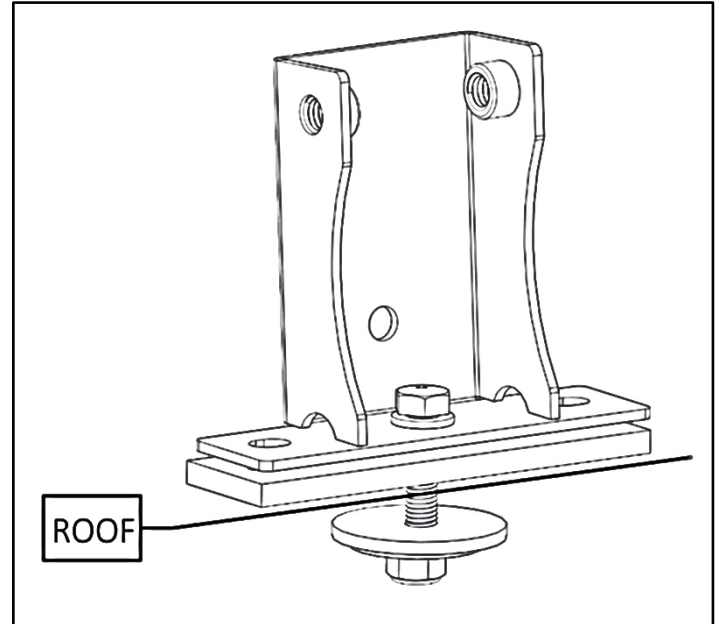
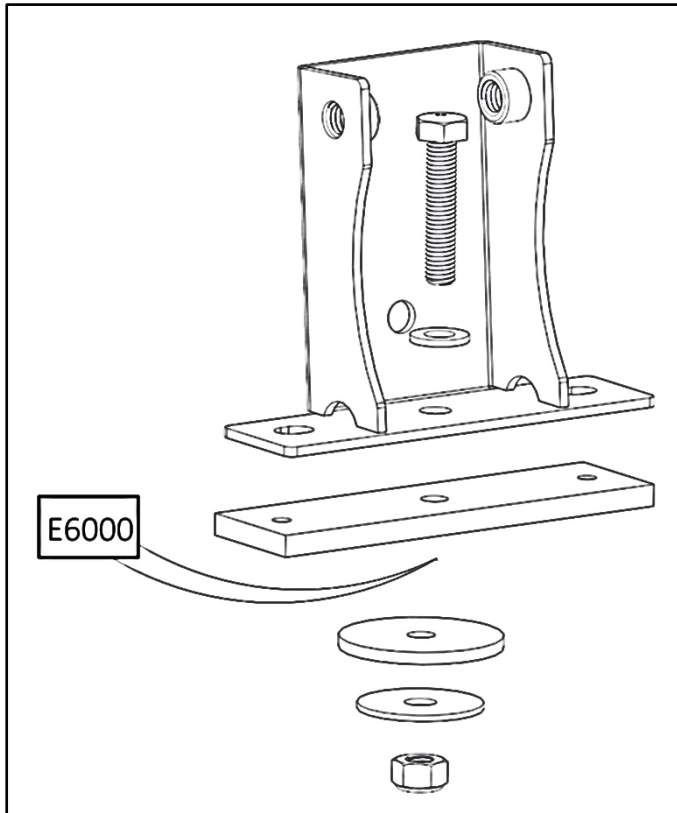
## Step 2B – SPRINTER – Install Feet

- Locate the desired mount locations, or find the recommended location shown below.



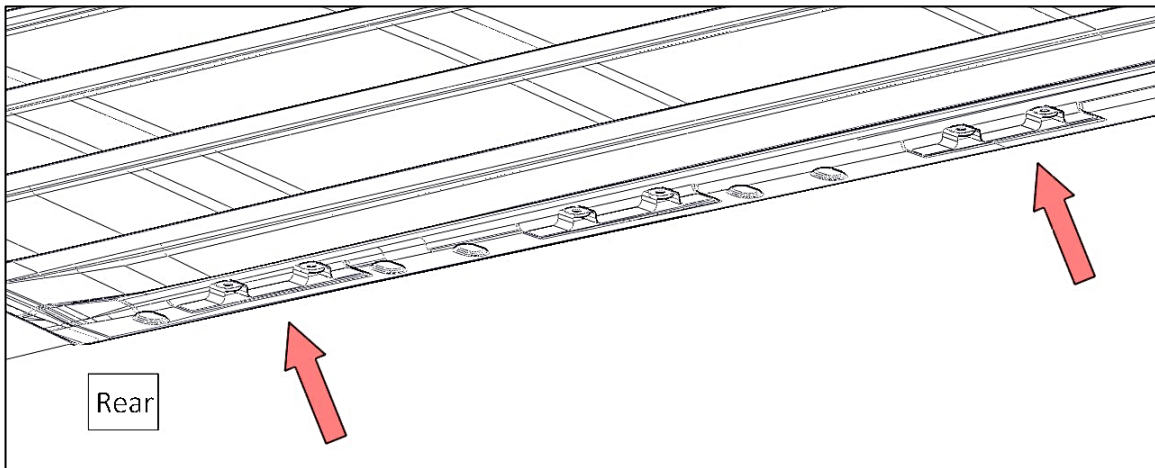
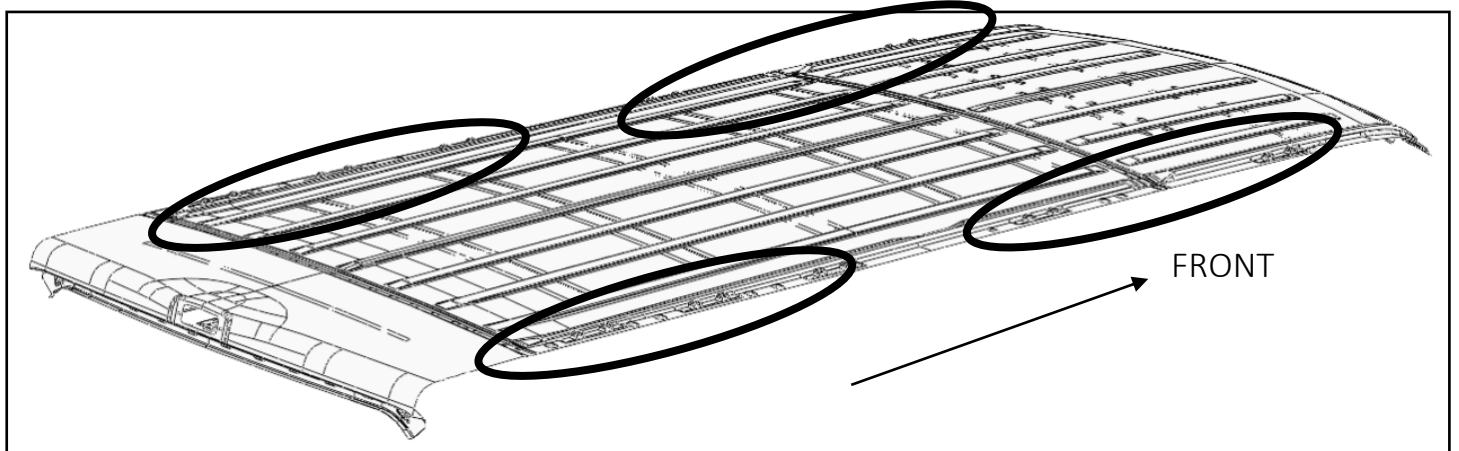
- Remove plug in roof and place the foot on top of the 3-hole rubber pad.
- Mount the feet using a M8 x 30mm bolt with 5/16" flat washer on the foot side. Be sure to place sealant around the rubber pad and the hole in the roof.
- On the inside of the van, use the rubber washer, fender washer and M8 nyloc nut.
- Have the opening of the foot facing to the outside of the van if possible.
- Repeat at all desired locations.
- Snug tighten, but allow for movement during rack installation.

Be sure to place sealant in and around threaded emboss in roof to ensure no water gets into cabin of van.



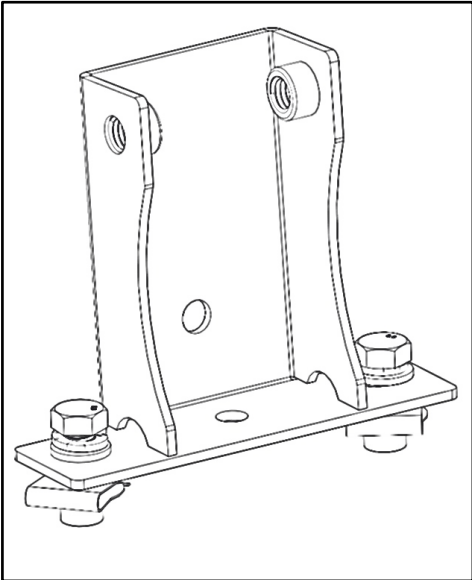
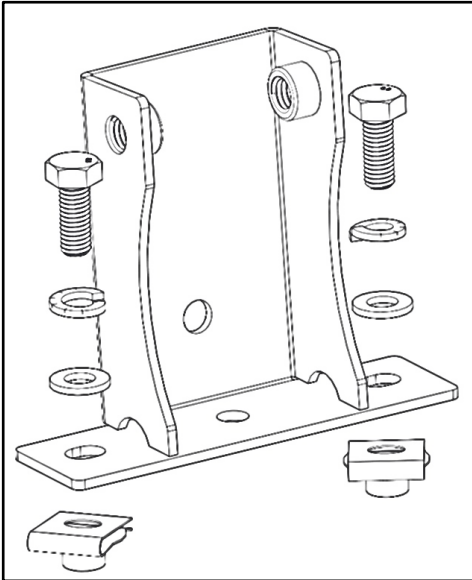
## Step 2C – NV – Install Feet

- Locate nut mounts along the outer edge of the roof of the van. Determine best mount locations for your application.



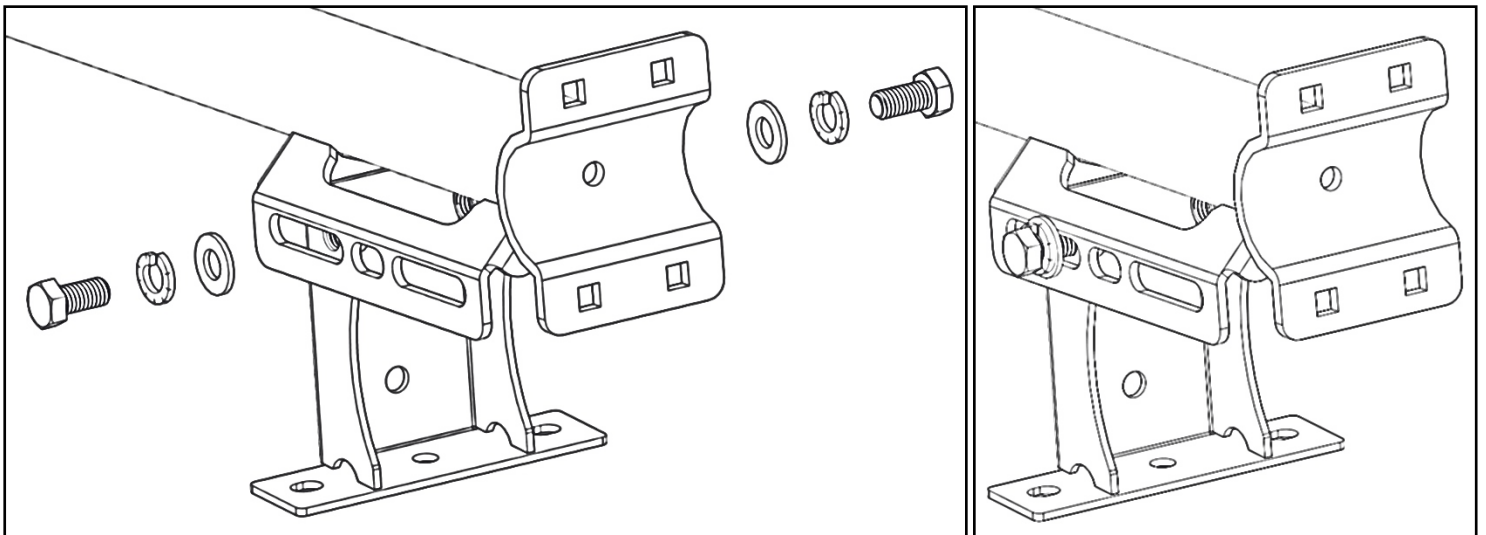
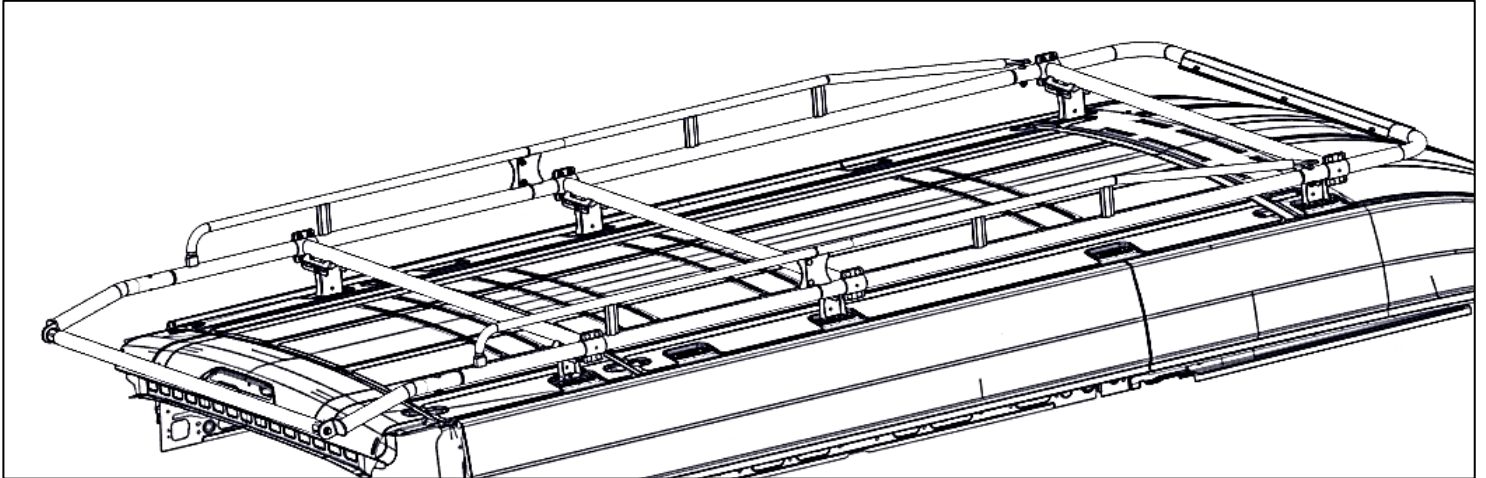
- Place foot on top of nut mounts and fasten in orientation shown. Use M8 x 20mm hex head bolt, a 5/16" lock washer and a 5/16" flat washer.
- Repeat at all desired locations.

- Snug tighten, but allow for movement during rack installation.



## Step 3 – Mount Rack

- Follow the rack assembly instructions.
- Place rack on top of feet previously installed.
- Bolt rack crossbars to feet using 3/8" x 3/4" hex head bolts, 3/8" split lock washers and 3/8" flat washers.



**YOUR INSTALLATION IS NOW COMPLETE.**

**ADJUST AND ALIGN RACK TO YOUR LIKING.**

**Be sure sealant was used when mounting through or into the roof to ensure no water gets into cabin of van.**