

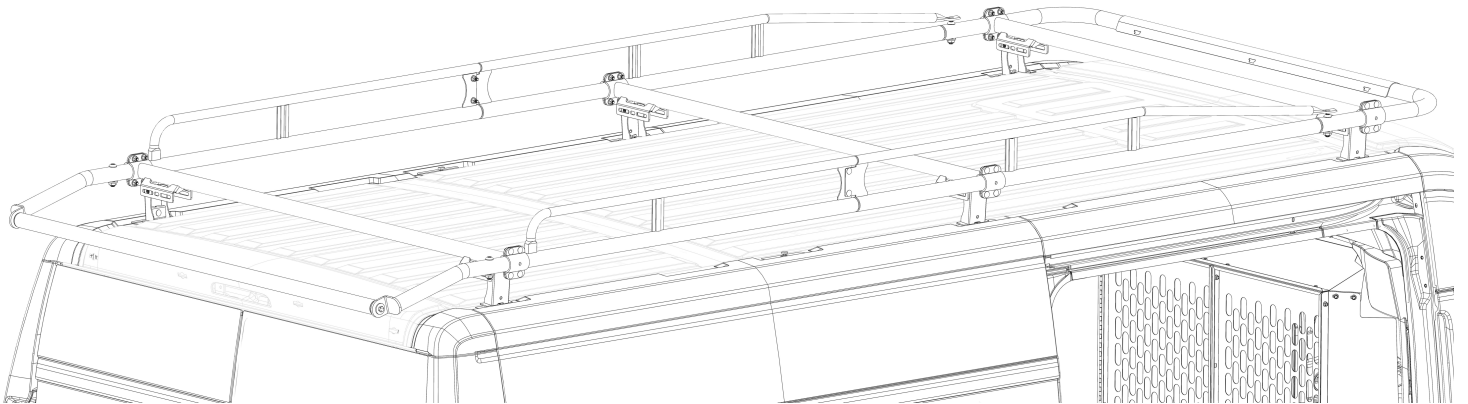
---

# Holman

---

## 4089C Instructions

---



---

Holman  
Rancho Cordova, CA 95742  
800-343-7486  
InstallationSupport@Holman.com

---

DATE: \_\_\_\_\_

**\*PLEASE READ ALL INSTRUCTIONS AND WARNINGS PRIOR TO ASSEMBLING,  
INSTALLING, AND USING THIS PRODUCT\***

## Warning



Always check for wires, fuel tanks and lines, brake lines and other important vehicle functionality items prior to drilling and installing all products.

## Tools Needed

1/2" Socket and Wrench	9/16" Socket and Wrench
Tape Measure	

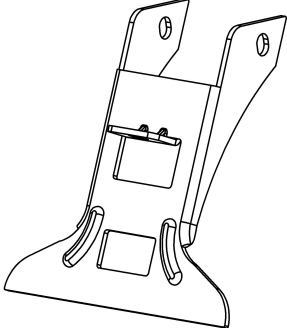
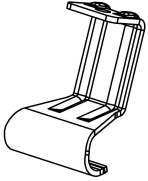
## Table of Contents

Parts List .....	2
Hardware List .....	2
Step 1 – Find Mount Locations .....	3
Step 2 – Attach Feet to Rack .....	4
Step 3 – Install Rack with Feet .....	5

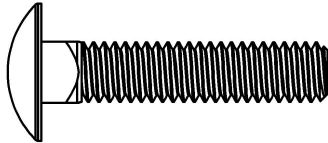
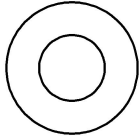

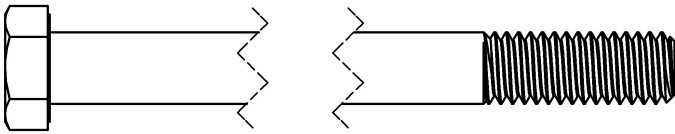
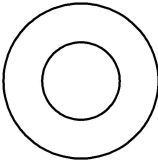
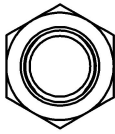
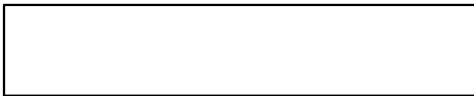
## Before You Begin

- Read all instructions.
- Follow assembly instructions found with the rack to assemble and install rack.
- The 3/8" hardware will be used when installing the rack to the feet.

## Parts

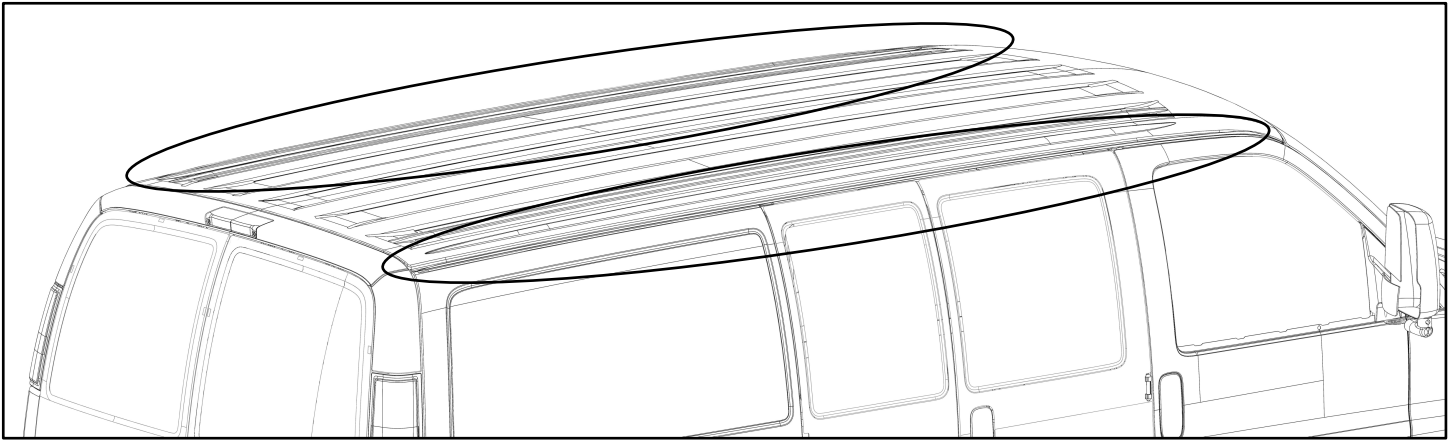
ITEM NO.		PART NUMBER	DESCRIPTION	QTY.
A		11-00389-R2	BRACKET, GUTTER MOUNT	6
B		11-02085-RIB-R2	BRACKET, CLAMP, GUTTER MOUNT	6
		18-4089C	HARDWARE KIT	1

## Hardware 18-4089C

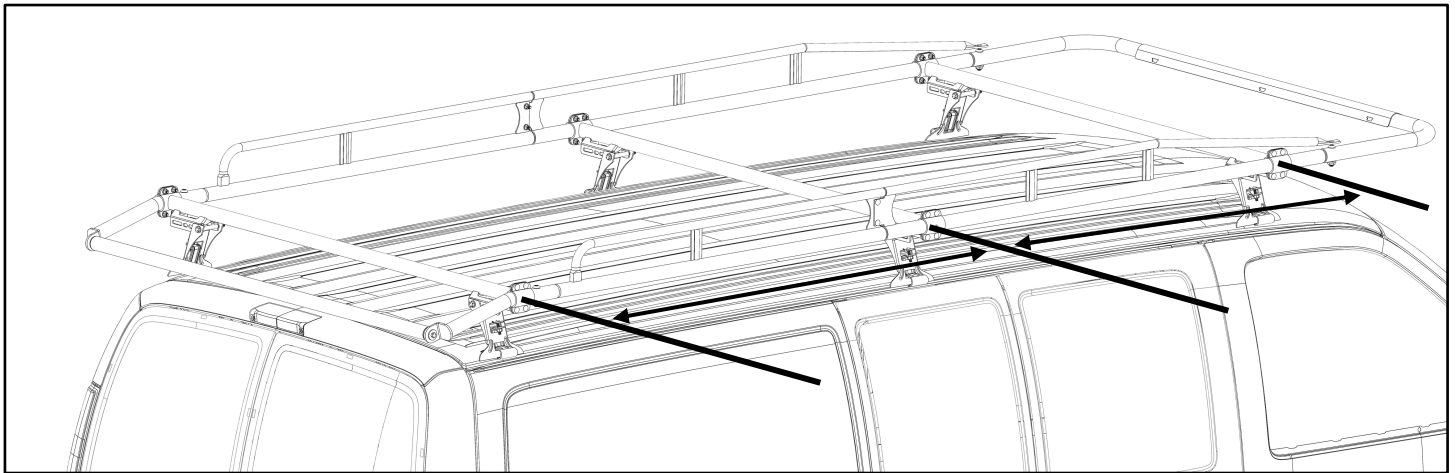
ITEM NO.	TO SCALE	PART NUMBER	DESCRIPTION	QTY.
1		92356A587	5/16"-18 X 1-1/2 CARRIAGE	6
2		90126A030	5/16" WASHER	6
3		95615A160	5/16"-18, NYLOC	6
4		91247A640	3/8-16 X 4" HEX HEAD	6
5		90126A031	3/8" WASHER	12
6		95615A140	3/8-16 NYLOC	6
7		8009A-00-25-R2	SPACER, 3/8" ID, 1/2" OD, 2.5" LG,	6

## Step 1 – Find Mount Locations on Roof of Van

- Locate the mounting locations on each side of van. There will be a rain gutter along the edge of the roof.

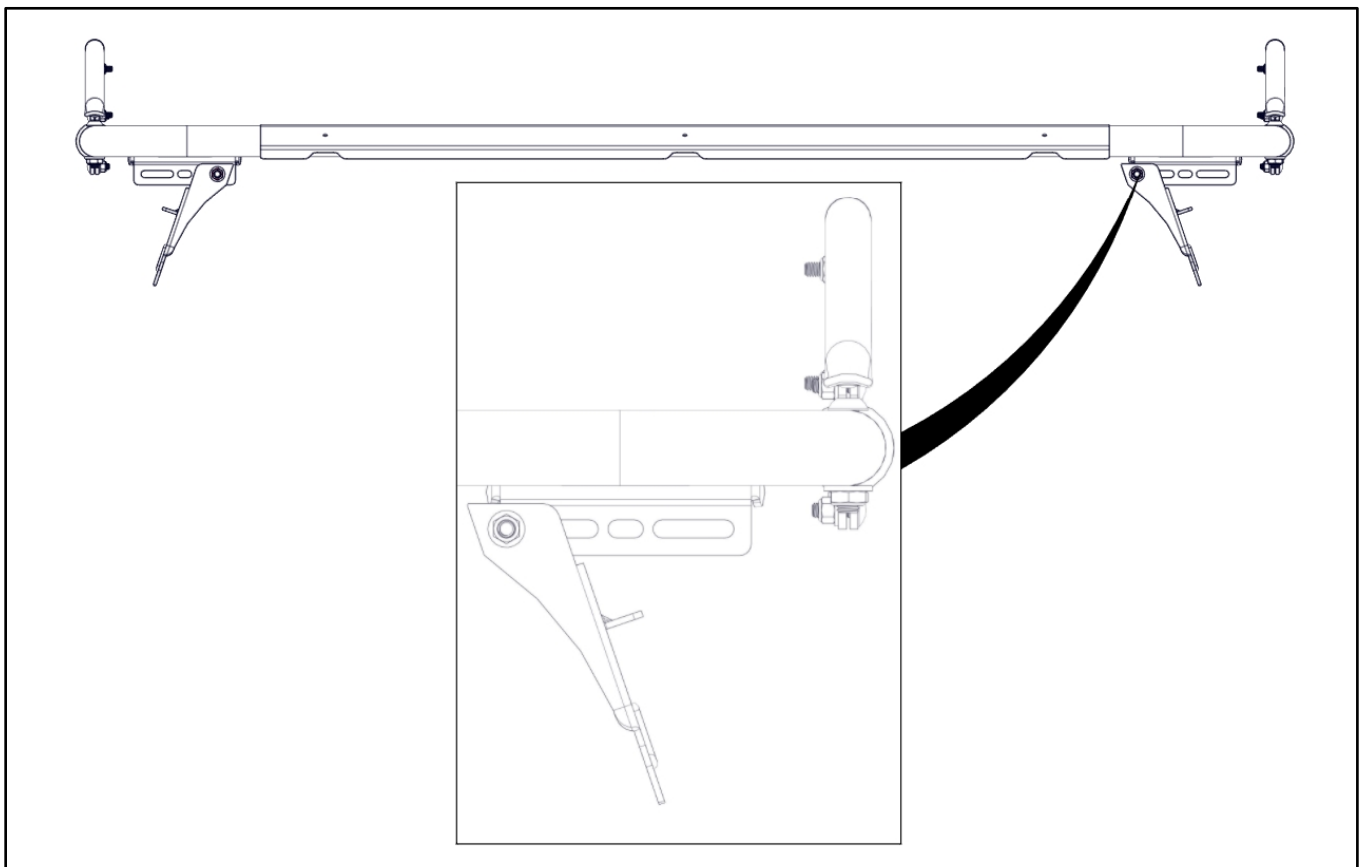
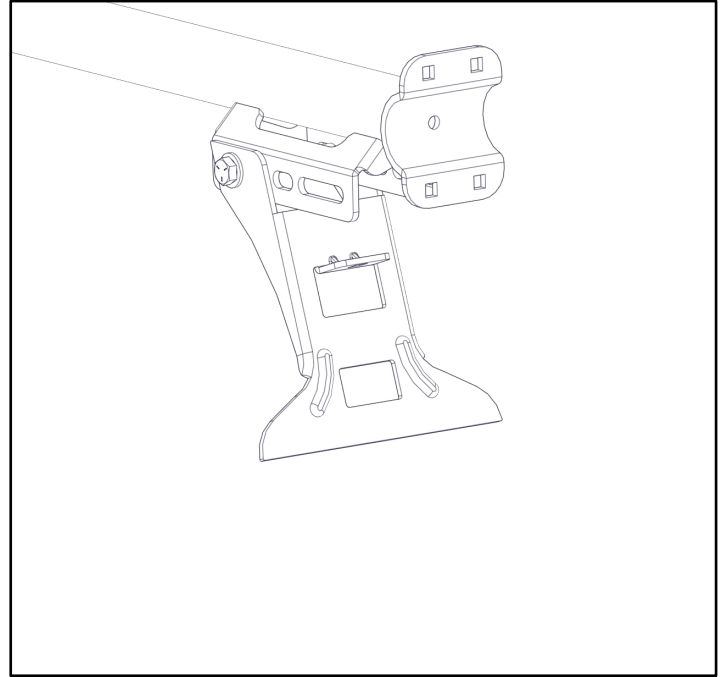
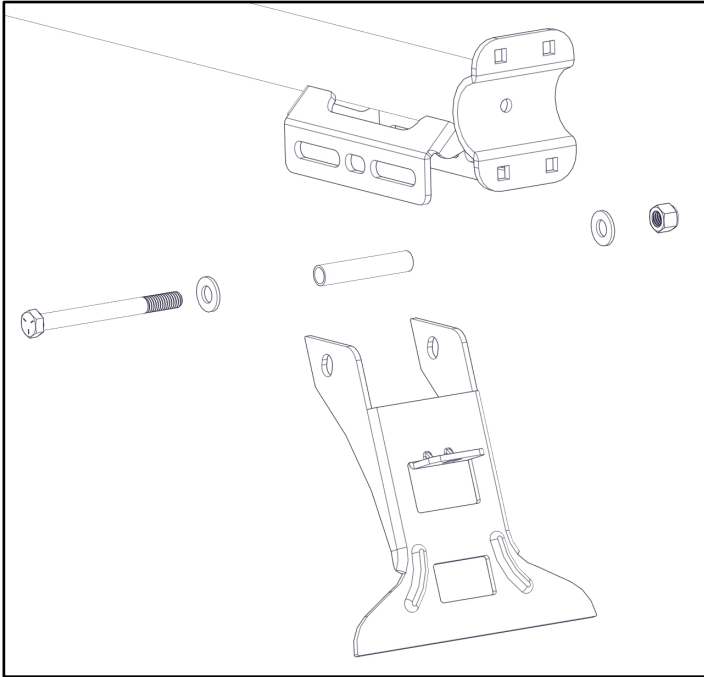


- Determine distance between each cross bar that is to be used to attach to roof. See picture below for reference.
- Take this measurement into consideration when assembling the rack.



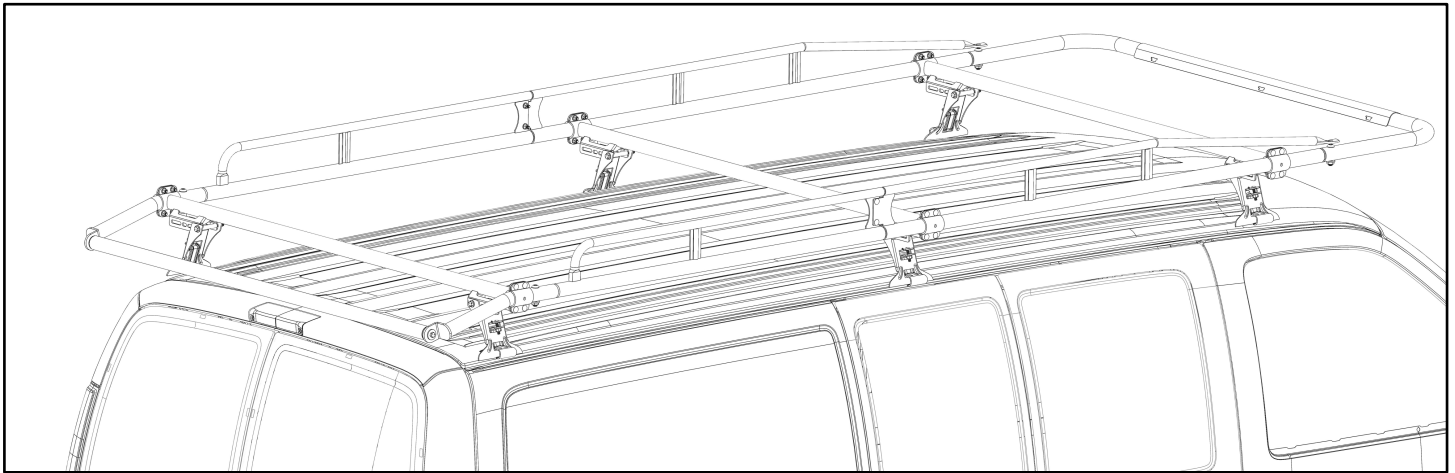
## Step 2 – Attach Feet to Rack

- Use the crossmember from the rack box and attach foot in the orientation shown using 3/8" x 4" hex head bolt, two 3/8" flat washers, 3/8" spacer and a 3/8" nyloc nut.
- Attach foot through the inner most slot on the crossmember as shown.
- Repeat for a total of 6\*Shown without the rest of the rack for clarity\*

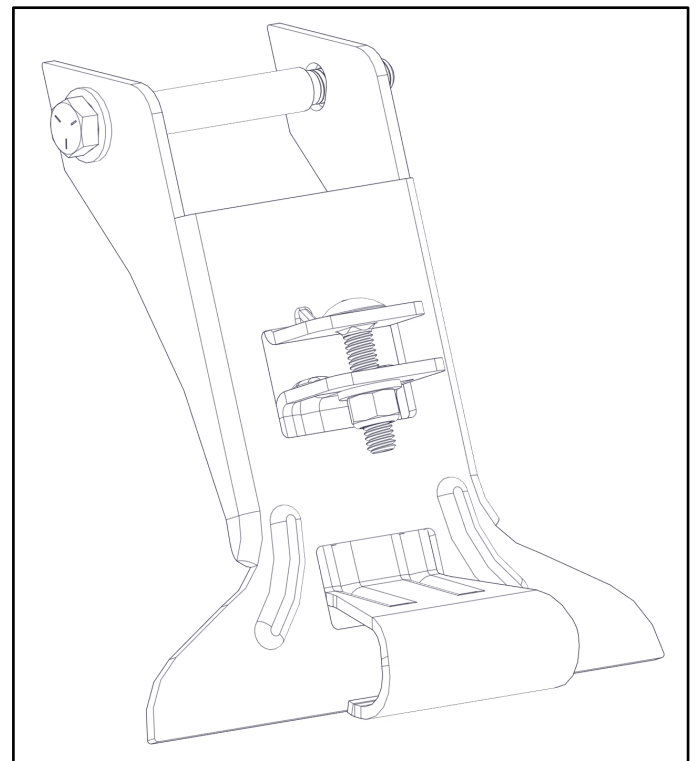
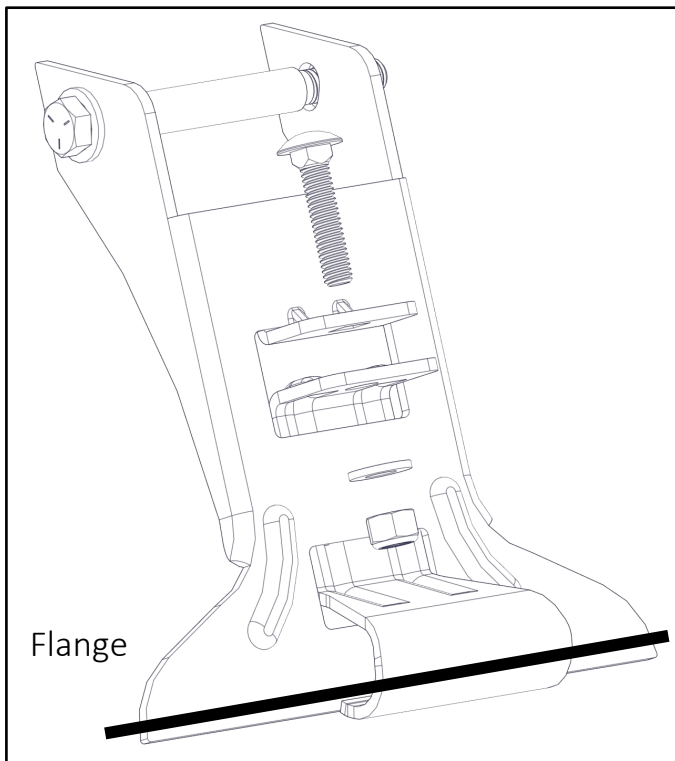


## Step 3 – Install Rack with Feet

- Place rack onto roof of van. Be sure the feet installed in previous step goes onto the rain gutter flange.



- Adjust and center rack to your liking.
- Slide foot mount bracket through the foot. Pinch the rain gutter in between the mount bracket and the foot. Bolt into place using 5/16" x 1-1/2" carriage bolt, 5/16" flat washer and 5/16" nyloc as shown.
- Repeat for a total of 6x.
- Once rack is in desired location on roof of van, TIGHTEN all bolts.



\*shown without rack and van for clarity\*

Go back and tighten all bolts on rack.

Your installation is now complete.

