



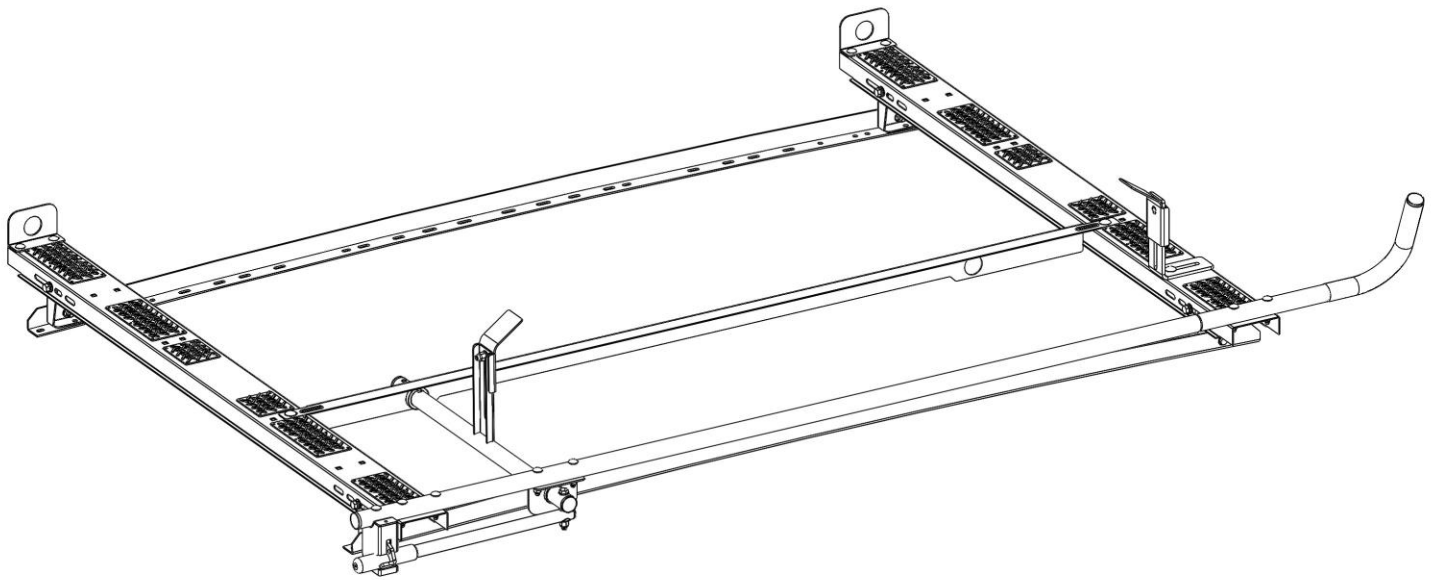
**WE PUT EVERYTHING WITHIN REACH.**

---

# Instruction Guide

## 4080L

---



---

Kargo Master  
Rancho Cordova, CA 95742  
800-343-7486  
CustomerService@KargoMaster.com

---

**\* PLEASE READ ALL INSTRUCTIONS AND WARNINGS PRIOR TO ASSEMBLING, INSTALLING, AND USING THIS PRODUCT. \***

**Warning**



Always check for wires, fuel tanks and lines, brake lines and other important vehicle functionality items prior to drilling and installing all products.

**Tools Needed**

13mm Socket and Wrench	10mm Socket and Wrench
5mm Allen Hex	9/16" Socket and Wrench
7/16" Socket and Wrench	1/2" Socket and Wrench

**Table of Contents**

Parts List ..... 2

Assembly Hardware ..... 3

Install Hardware ..... 4-5

Roof Rail Mounting

    Promaster City ..... 6

    NV200/City Express ..... 7

    Transit Connect ..... 8

Rack Assembly

    Step 1 – Mount Feet to Rails..... 9

    Step 2 – Install Feet to Bows..... 10

    Step 3 – Attach End Stops..... 12

    Step 4 – Mount Side Tube ..... 11

    Step 5 – Mount Angle Bracket ..... 12

    Step 6 – Mount Handle ..... 14



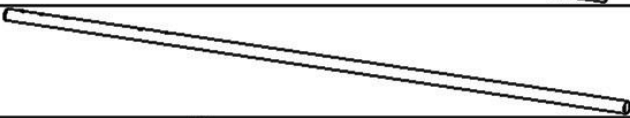

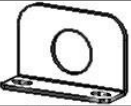
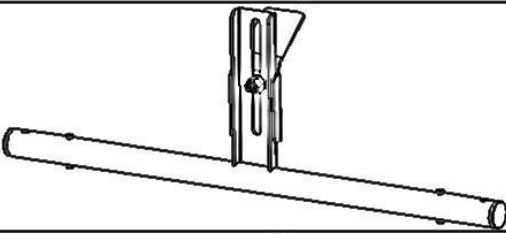



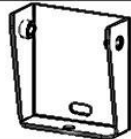

    Step 7 – Mount Latch ..... 14

    Step 8 – Mount Ladder Stop ..... 15

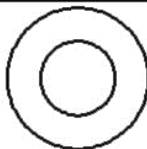

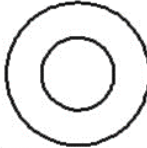
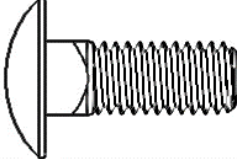
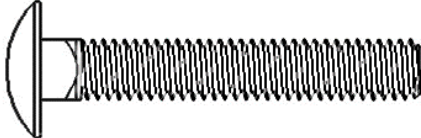
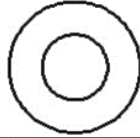

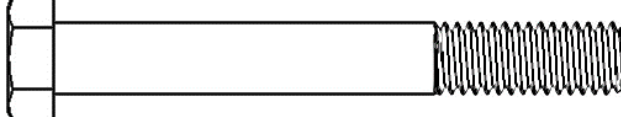

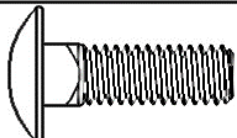
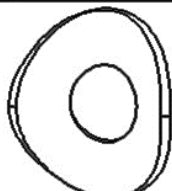
**Before You Begin**

- Read all instructions prior to assembling or installing any Kargo Master product.
- Install the vehicle roof mounting rail prior to rack assembly.
- Be sure to put sealant around all threads entering cargo area and between the rubber spacer and roof of vehicle to prevent water from leaking into cargo area.
- **DO NOT EXCEED MANUFACTURERS WEIGHT CAPACITY FOR ROOF**
- **BE SURE TO ADJUST LADDER CLAMPS ACCORDINGLY TO SECURE LADDER FIRMLY TO RACK. To adjust, refer to Clamp and Lock adjustment guide.**

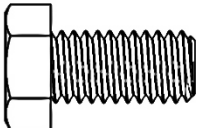
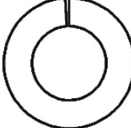
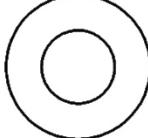
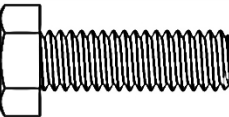

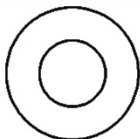
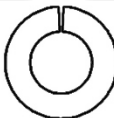
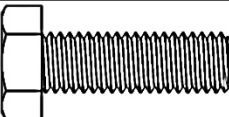
**Parts**

ITEM NO.		PART NO.	DESCRIPTION	QTY.
A		40862-11	Bow	2
B		11-03005	Angle Bracket	1
C		40800-51	Round Tube	1
D		40800-52-R	J-Tube	1
E		11-03027	End Plate	3
F		13-03007	Clamp Tube	1
G		40813-44	Latch	1
H		13-03008	Handle	1
J		13-03009	Ladder Stop	1
K		40800-17	Foot	4
L		11-03098	Mount Rail	2
		18-4080L	Install Hardware	1
		18-40800	Assembly Hardware	1

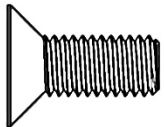

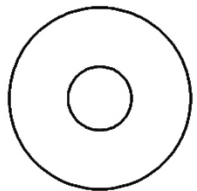
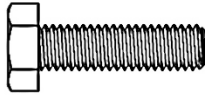
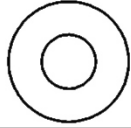

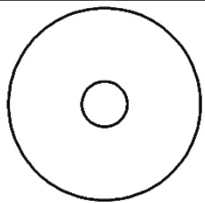
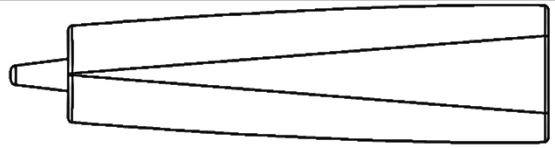
**Hardware (18-40800)**

ITEM NO.	HARDWARE TO SCALE	PART NUMBER	DESCRIPTION	QTY.
1		90295A470	3/8" Nylon Washer	1
2		97135A230	3/8"-16 Nyloc Nut	5
3		98023A031	3/8" Flat Washer	5
4		90185A624	3/8"-16 x 1" Carriage Bolt	4
5		90185A591	5/16"-18 x 2" Carriage Bolt	7
6		90126A030	5/16" Flat Washer	11
7		95615A160	5/16"-18 Nyloc	11
8		91247A636	3/8"-16 x 3" Hex Head	1
9		40800-10-007	Nylon Bushing Scale 1:2	2
10		90185A583	5/16"-18 x 1" Carriage Bolt	4
11		91844A370	3/8" Contour Washer	1

**Hardware (18-4080L)**

ITEM	HARDWARE TO SCALE	PART NUMBER	DESCRIPTION	QTY.
1			3/8"-16 x .75 Hex Head Screw	8
2			3/8" Split Lock Washer	8
3			3/8" Flat Washer	8
4			5/16"-18 x 1 Hex Head Screw	4
5			5/16"-18 Nyloc	4
6		11545144	5/16" FLAT WASHER	12
7		1171067	5/16" LOCKING WASHER	4
8			M8x1.25 x 25mm Hex Head Screw	4

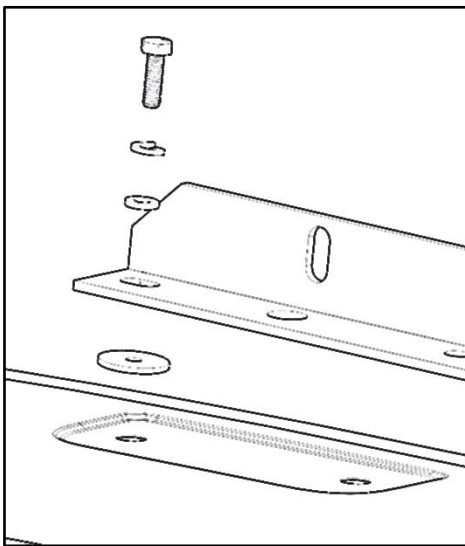
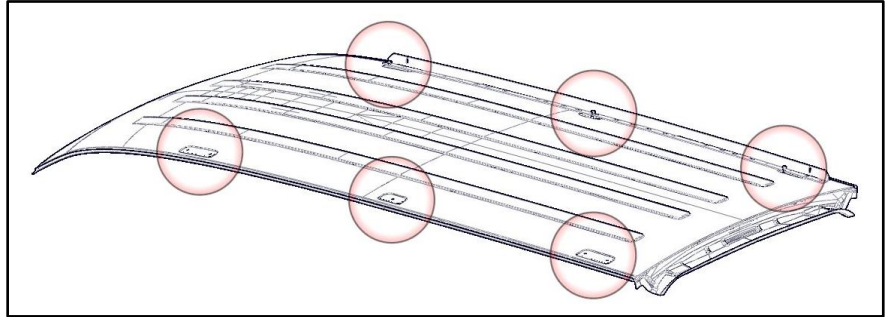
**Hardware (18-4080L) (Continued)**

ITEM	HARDWARE TO SCALE	PART NUMBER	DESCRIPTION	QTY.
9			M8x1.25 x 20mm FHCS	4
10			M8x1.25 Nyloc	4
11			M8 Fender Washer	4
12		38560	M6 X 1.0 X 22MM HEX HEAD BOLT	6
13		33078	1/4" WASHER	6
14		33618	1/4" LOCK WASHER	6
15			RUBBER WASHER	6
16			Sealant	1

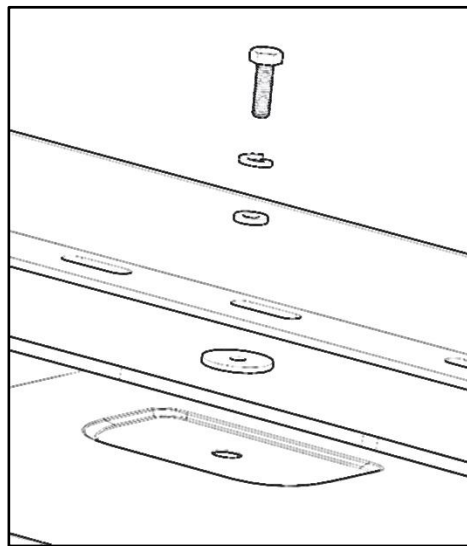
**DO NOT EXCEED MANUFACTURERS WEIGHT CAPACITY FOR ROOF**

**Promaster City Installation**

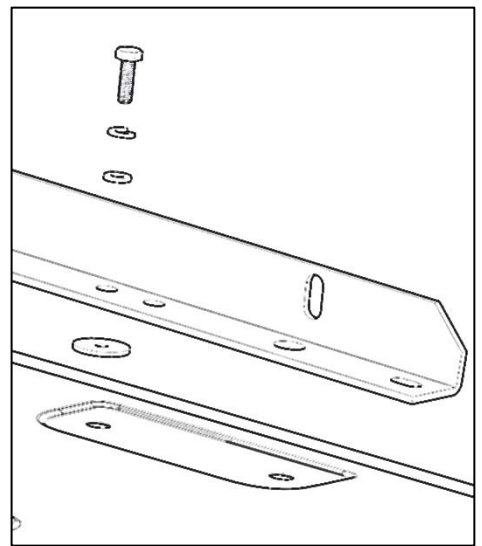
- Locate 6 mounting locations shown on roof of van.
- Install mounting rail as shown using M6 x 22mm bolts, 1/4" lock washers, and 1/4" flat washers.
- In most installs, the rail upright is to the outside of the van.
- Be sure to put rubber washer between the mounting rail and the roof to ensure sealing.
- Place sealant on and around threads to seal roof. (Passenger side shown)



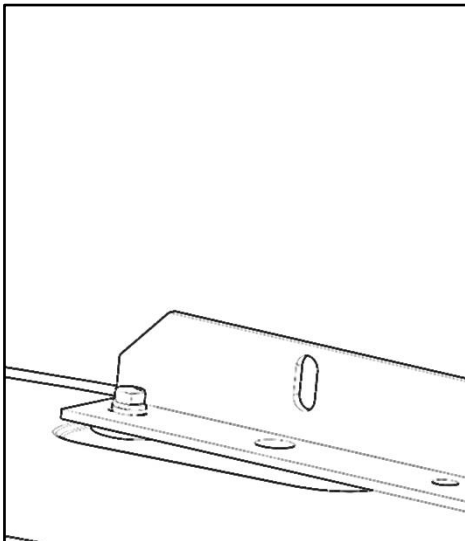
**FRONT EXPLODED**



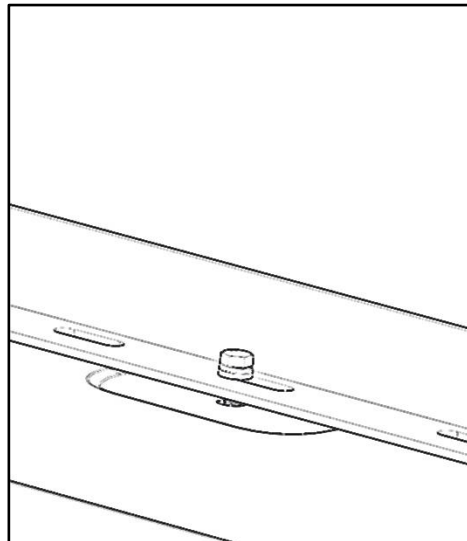
**MID EXPLODED**



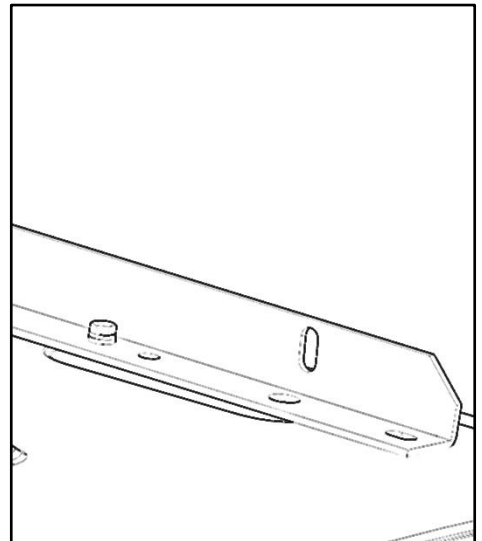
**REAR EXPLODED**



**FRONT TIGHTENED**



**MID TIGHTENED**

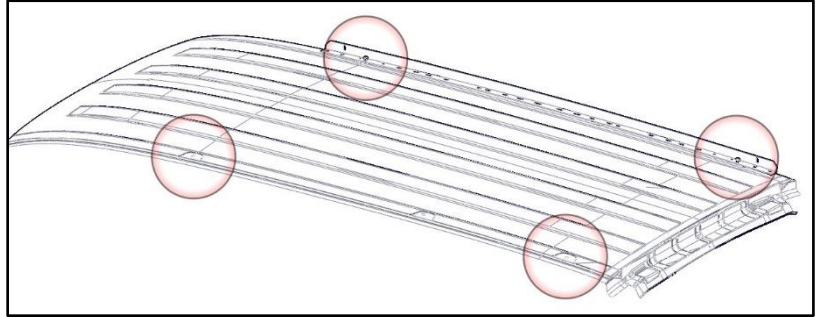


**REAR TIGHTENED**

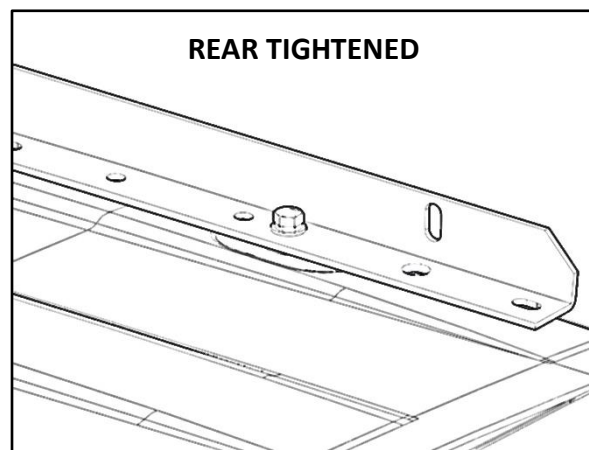
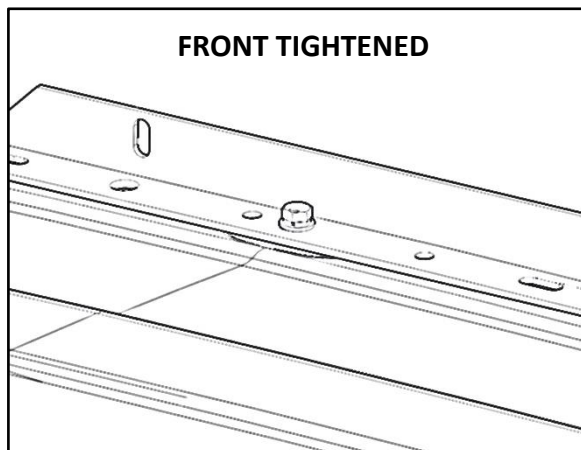
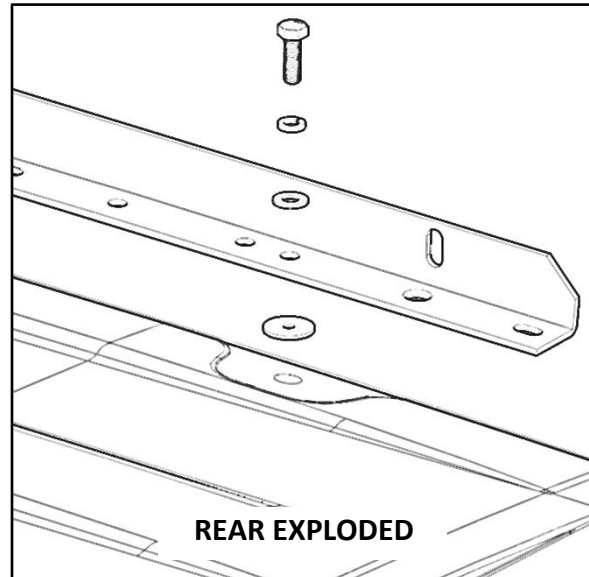
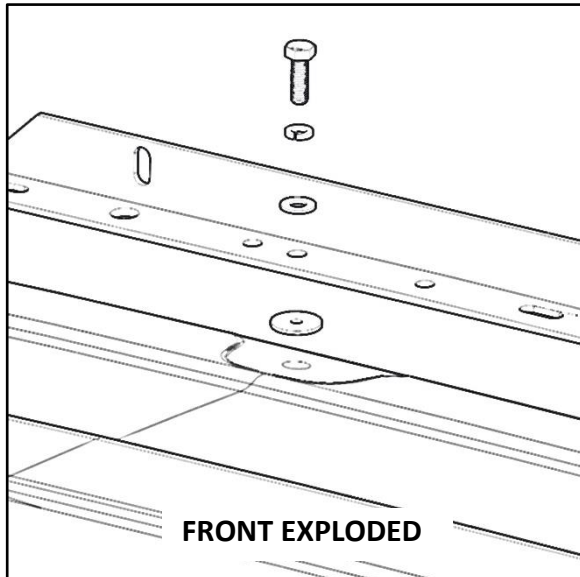
## **DO NOT EXCEED MANUFACTURERS WEIGHT CAPACITY FOR ROOF**

### **NV200/City Express Installation**

- Locate 4 mounting locations shown on roof of van.
- Install mounting rail as shown using M8 x 25mm bolts, 5/16" lock washers and 5/16" flat washers.
- In most installs, the rail upright is to the outside of the van.
- Mount rail so there is about 1" from the rear door opening.
- Be sure to put rubber washer between the mounting rail and the roof to ensure sealing.
- Place sealant on and around threads to seal roof. (Passenger side shown)



**Note: Additional M8 x 20mm flat head screws are provided if mounting of feet interferes with bolts.**

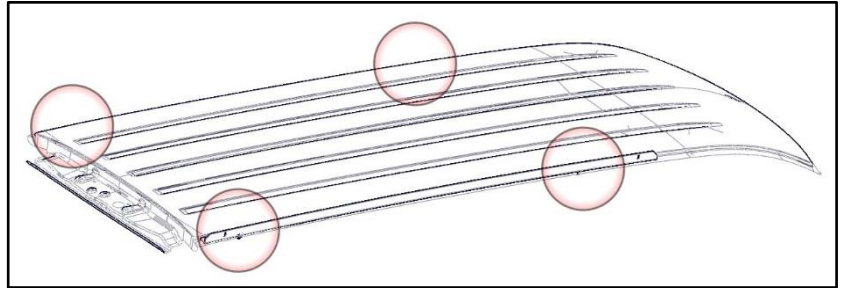




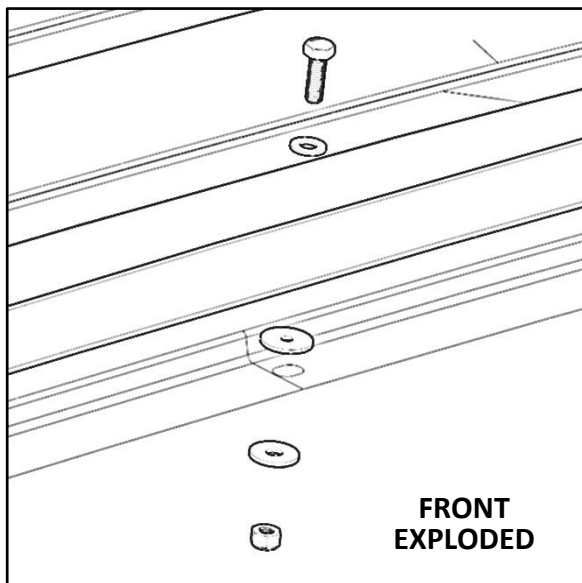
## **DO NOT EXCEED MANUFACTURERS WEIGHT CAPACITY FOR ROOF**

### **Transit Connect Installation**

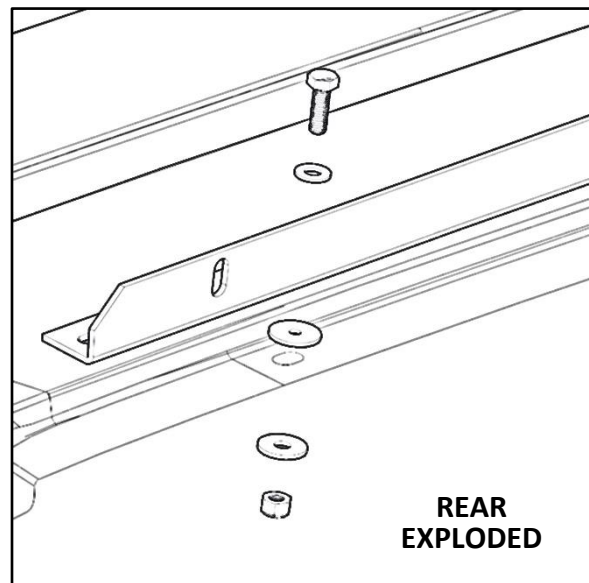
- Locate 4 mounting locations shown on roof of van.
- Be sure to put rubber washer between the mounting rail and the roof to ensure sealing.
- In most installs, the rail upright is to the outside of the van.
- Mount rail so there is about 1" from the rear door opening.
- Install mounting rail as shown using M8 x 25mm bolts, 5/16" flat washers on the outside. Use the fender washer and 5/16" lock nut on the inside of the van.
- Place sealant on and around threads to seal roof. (Passenger side shown)



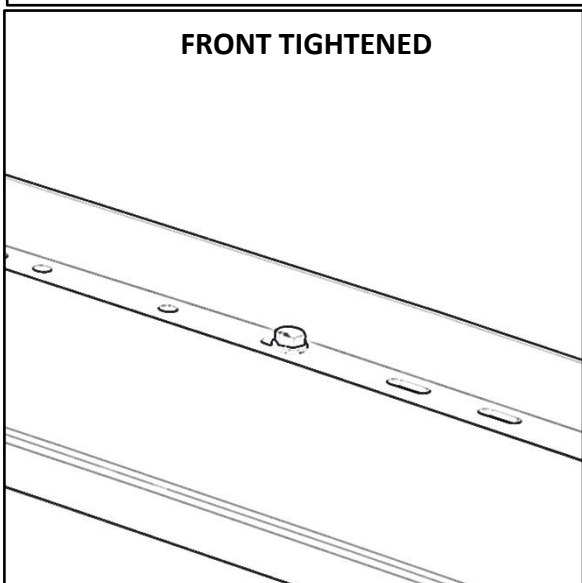
**Note: Additional M8 x 20mm flat head screws are provided if mounting of feet interferes with bolts.**



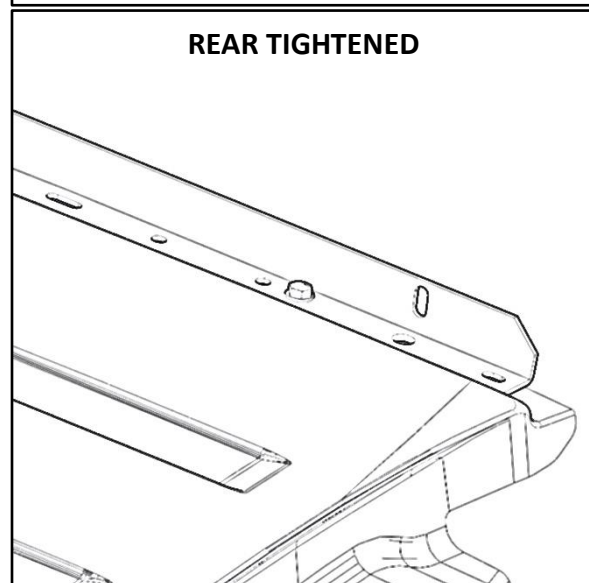
**FRONT  
EXPLODED**



**REAR  
EXPLODED**



**FRONT  
TIGHTENED**

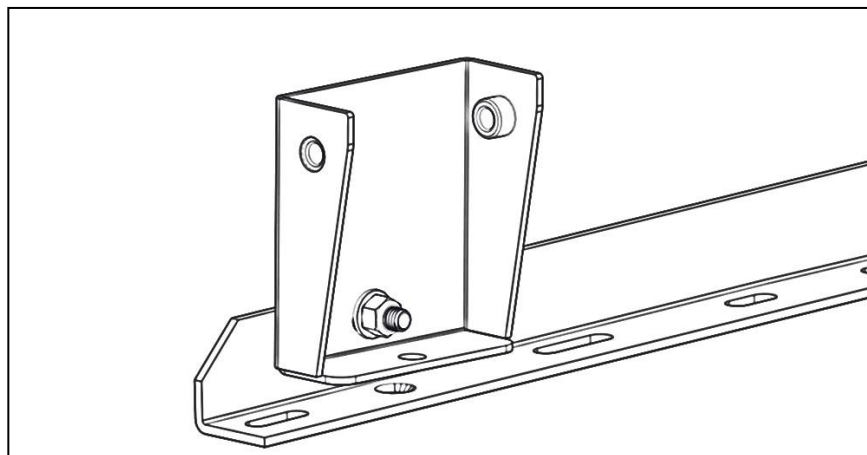
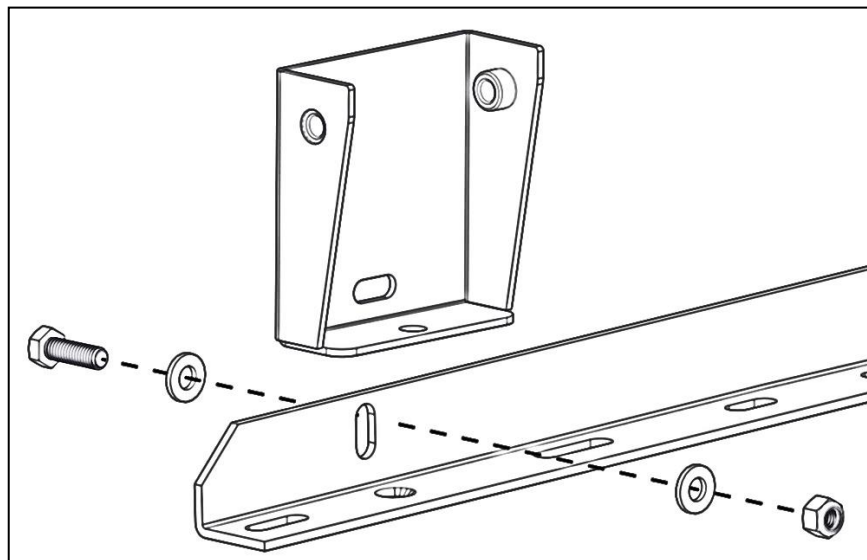
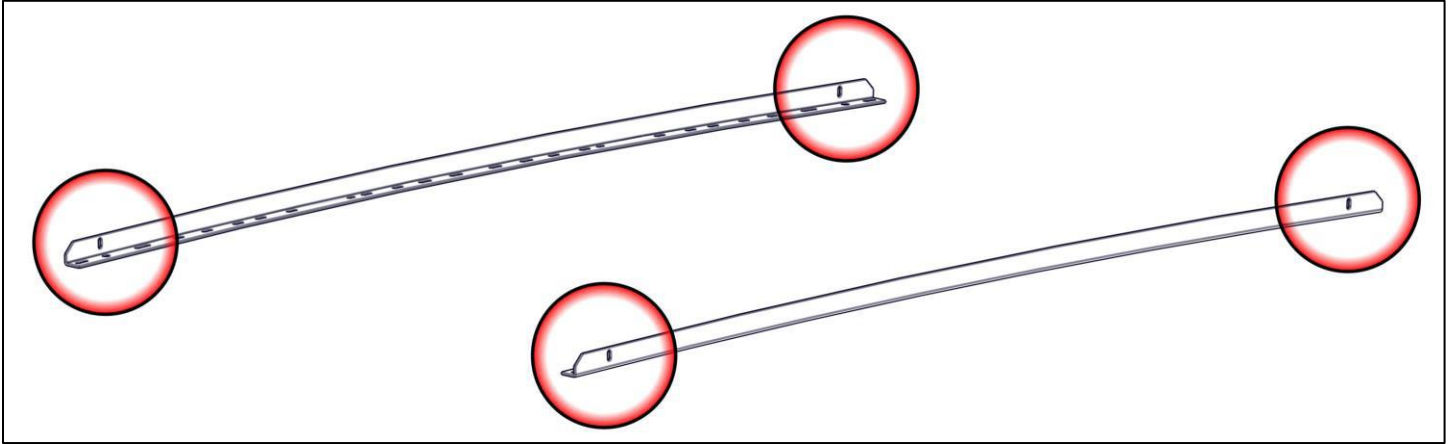


**REAR  
TIGHTENED**

## Assembly Instructions

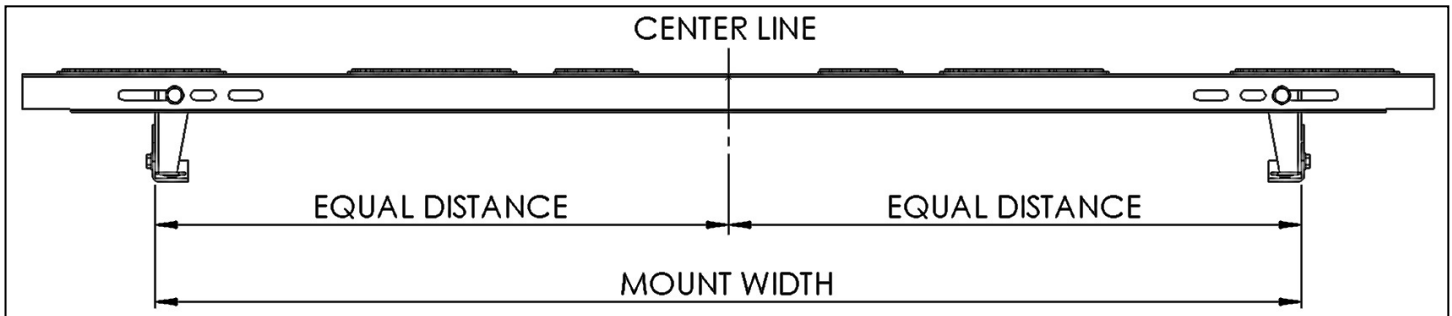
### Step 1 – Mount Feet to Rails

- Bolt the feet to the rails in the location and orientation shown using 5/16" x 1" hex head, two 5/16" flat washers and a 5/16" lock nut.
- Snug tighten, but allow movement.

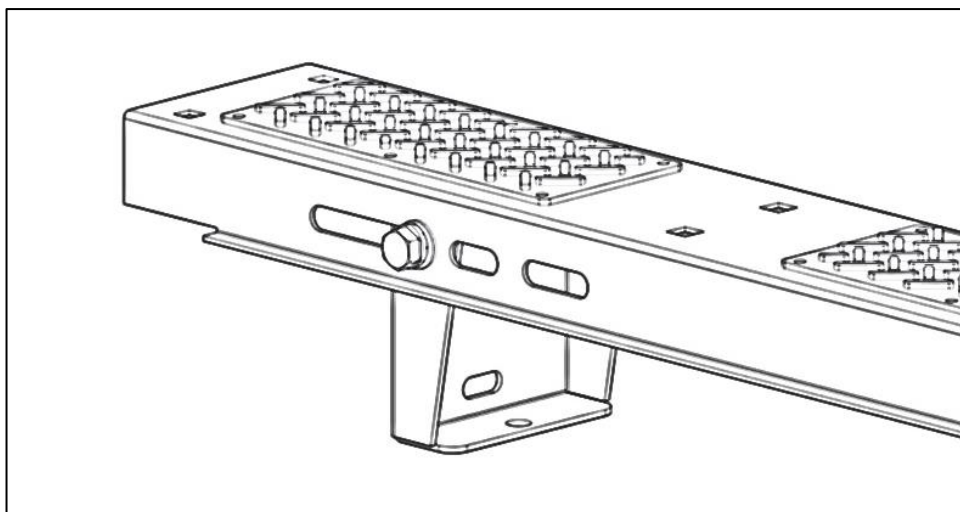
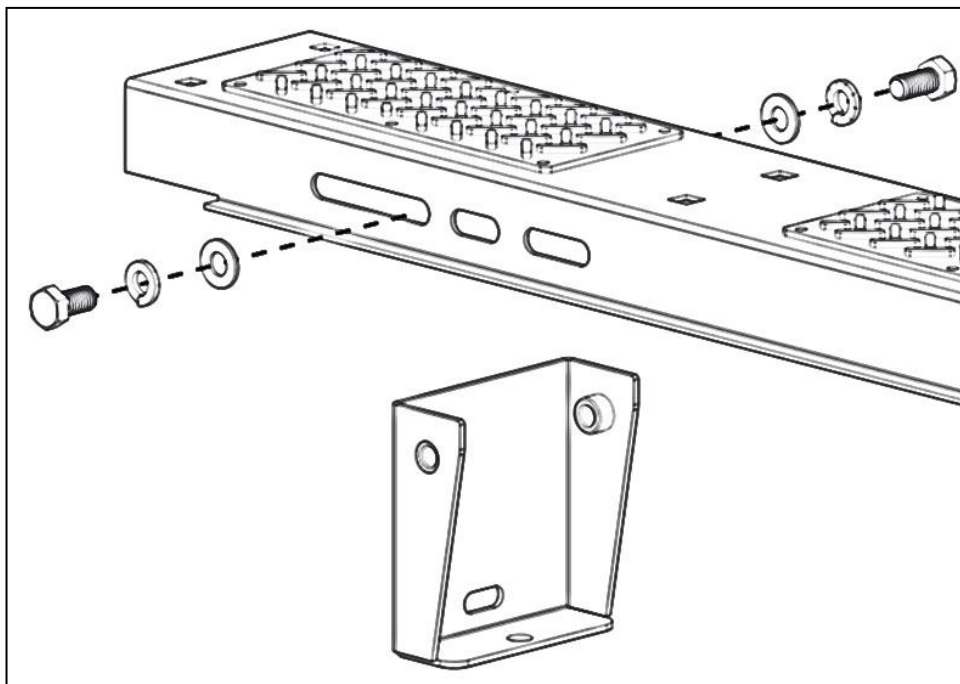


## Step 2 – Install Feet to Bows

- Place the bows and center on top of the previously installed feet. The same slot should be used at both ends of the bows.



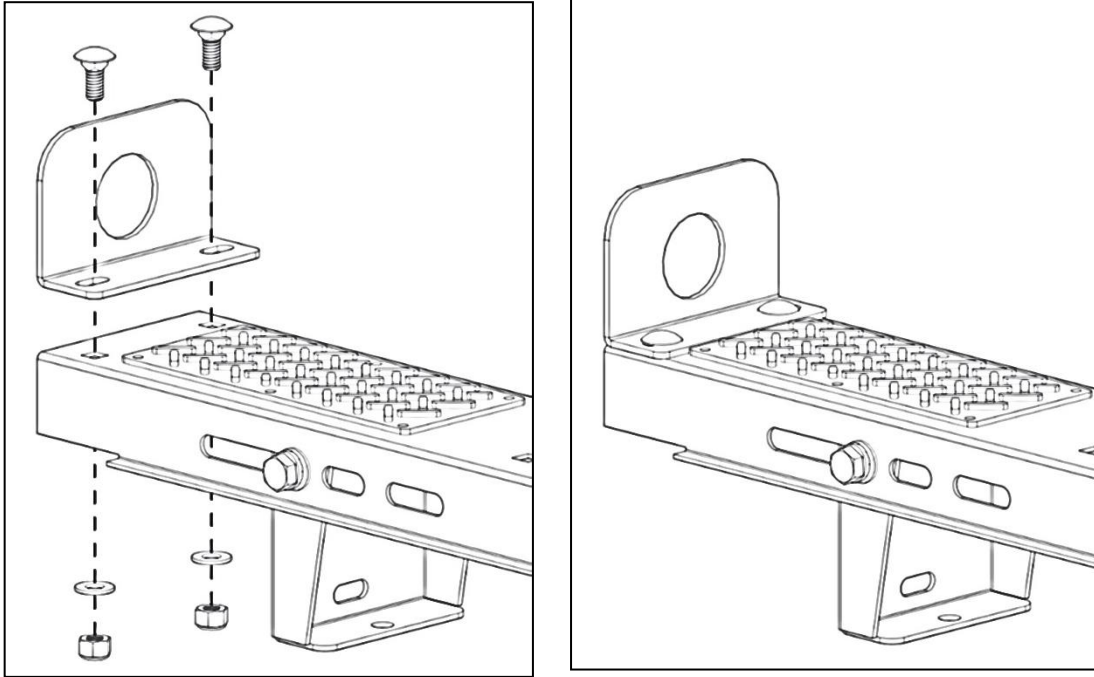
- Use a 3/8" x 3/4" hex head bolt, 3/8" lock washers and a 3/8" flat washer to bolt the foot to the cross member.
- **DO NOT TIGHTEN.** Snug tighten, but allow movement.



### **Step 3 – Attach End Stops**

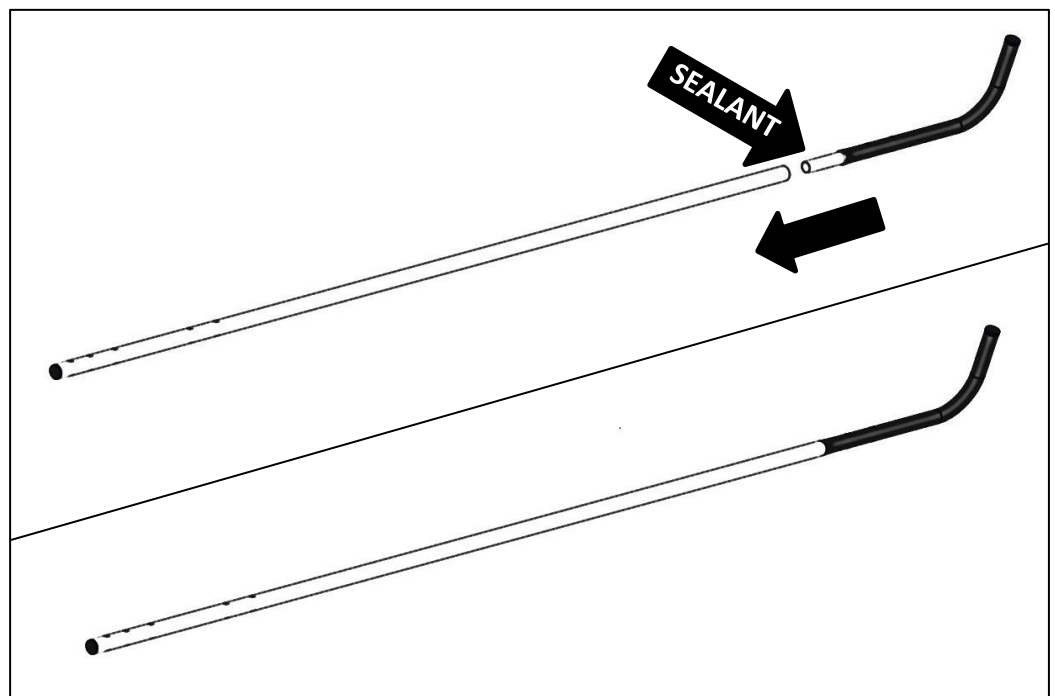
**NOTE:** Skip this step if adding driver-side ladder rack.

- On each bow, attach an end plate to the driver side using 5/16" carriage bolts, 5/16" washers and 5/16" lock nuts.
- TIGHTEN.

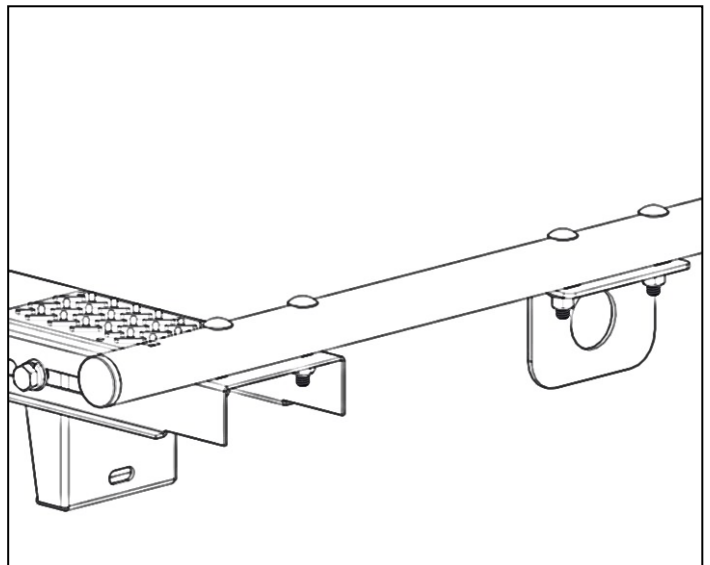
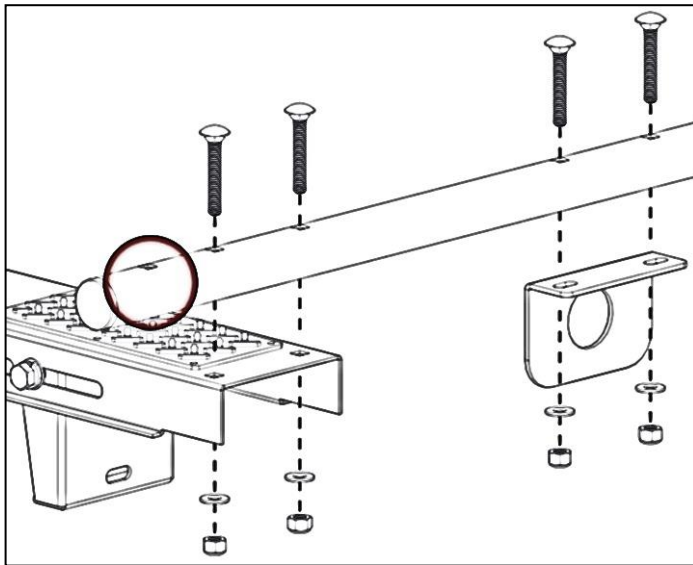
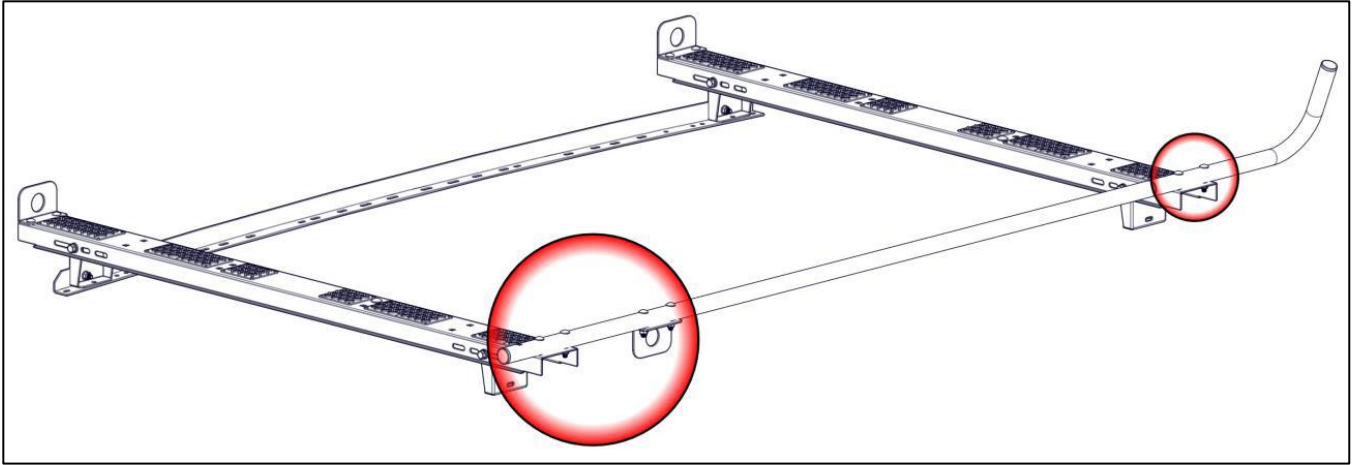


### **Step 4 – Mount Side Tube**

- Assemble the side tube.
- Place sealant around the connection of the two tubes.
- While still malleable, place the side tube assembly on top of the installed bows. Have the bend towards the front and outside of the vehicle as shown.

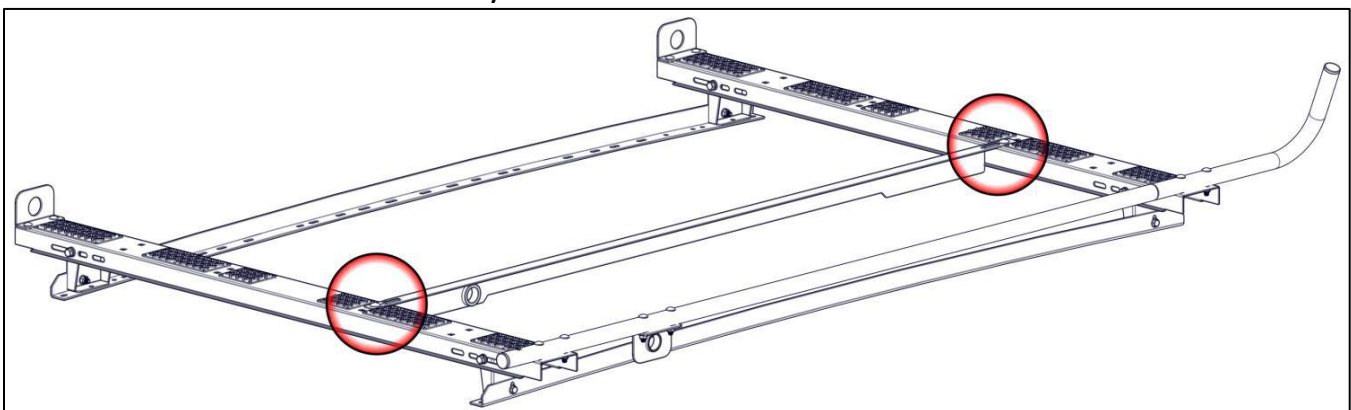


- Mount an end plate at the rear of the tube as shown.
- Leave one square slot open at the rear of the side tube.
- Bolt to the front and rear bow using 5/16" x 2" carriage bolt, a 5/16" flat washer and a 5/16" lock nut.
- Snug tighten, but allow movement.

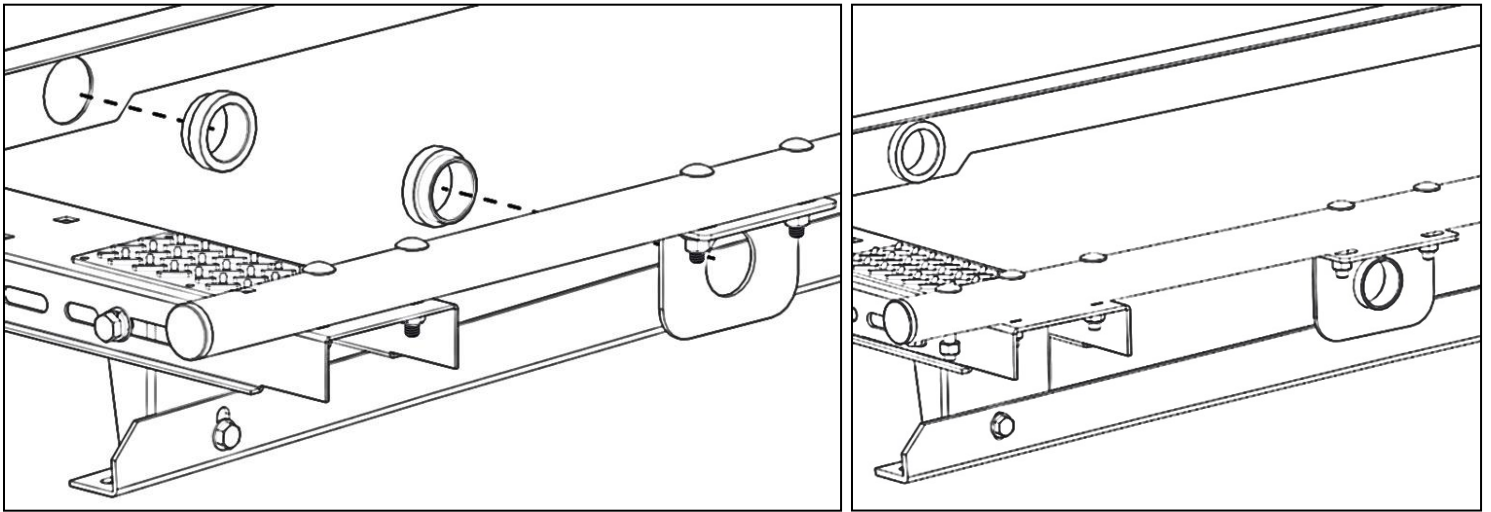


### **Step 5 – Mount Angle Bracket**

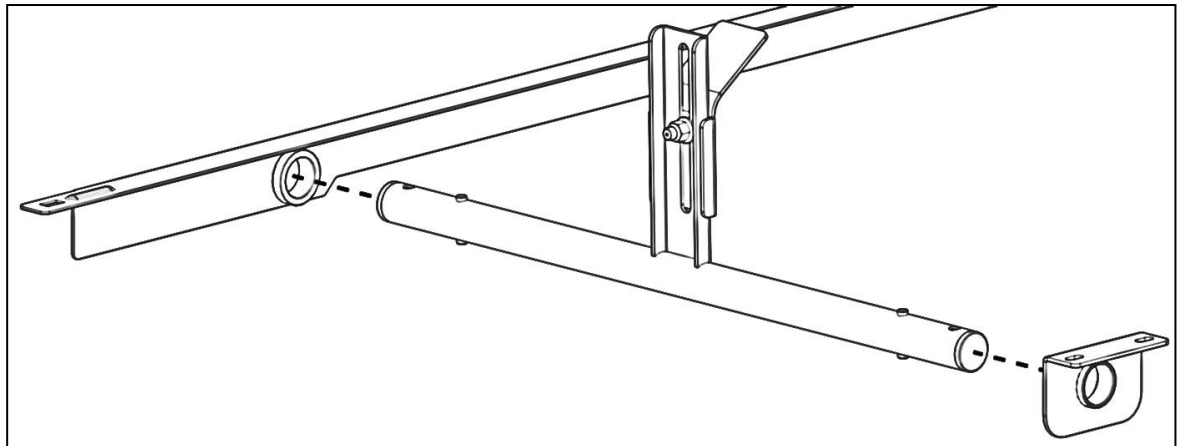
- Place the angle bracket on top of the installed bows with the long flange towards the center of the vehicle. Do NOT install any hardware.



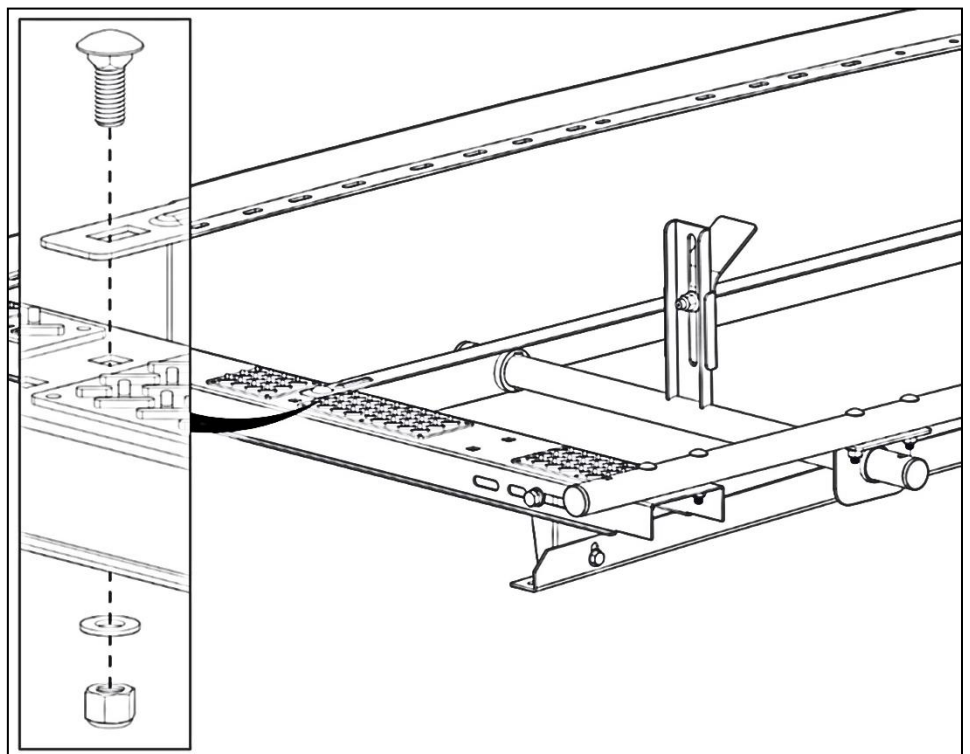
- Insert plastic bushings into the angle bracket and the ladder stop installed in Step 4, with the large flanges of the bushings towards each other and to the inside of the brackets as shown.



- Insert the clamp tube into the previously installed bushings in the orientation shown.

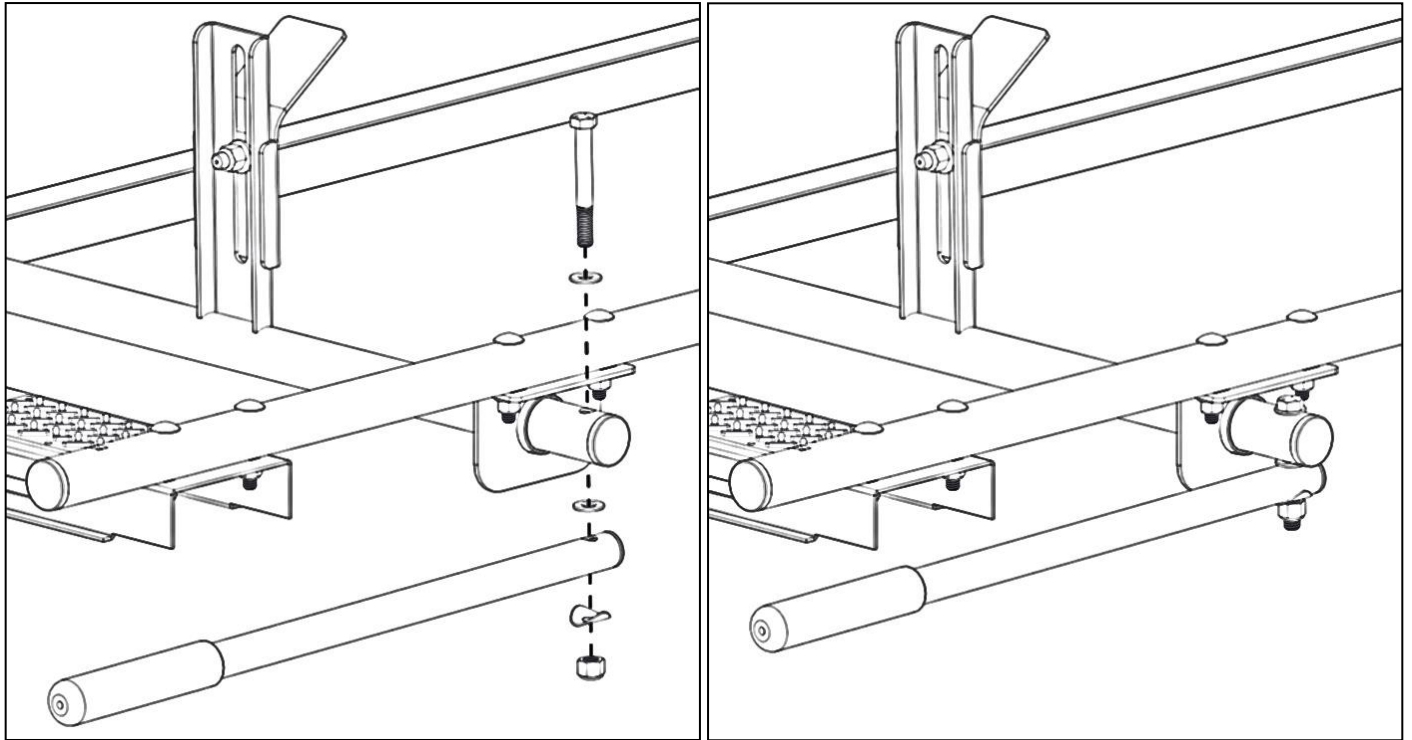


- Bolt the angle bracket to the front and rear bow using 3/8" x 1" carriage bolts, 3/8" flat washers and a 3/8" lock nuts as shown.
- Be sure the bushings CANNOT come out.
- TIGHTEN.



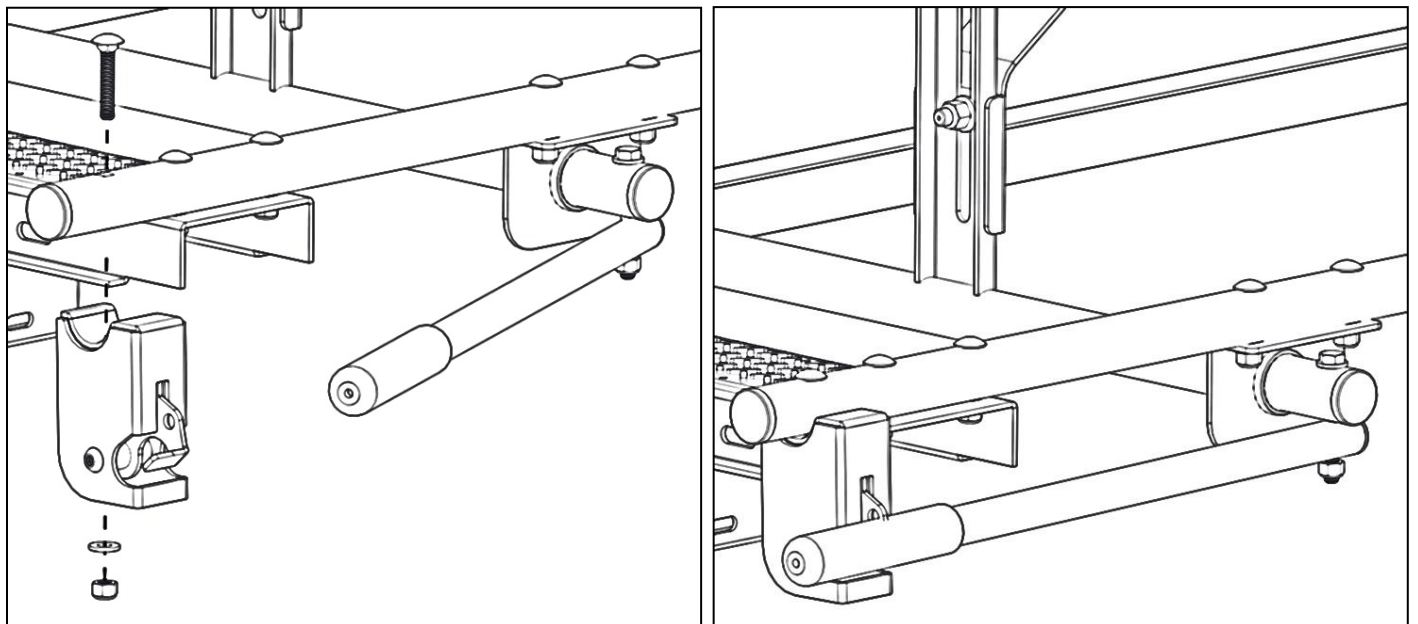
## **Step 6 – Mount Handle**

- Bolt the handle to the clamp tube using a 3/8" x 3" hex head, a 3/8" flat washer, 3/8" nylon washer, a 3/8" curved washer and a 3/8" lock nut. The nylon washer goes in between the clamp tube and the handle. The curved washer fits the contour of the tube on the handle.
- TIGHTEN, but do not over tighten.



## **Step 7 – Mount Latch**

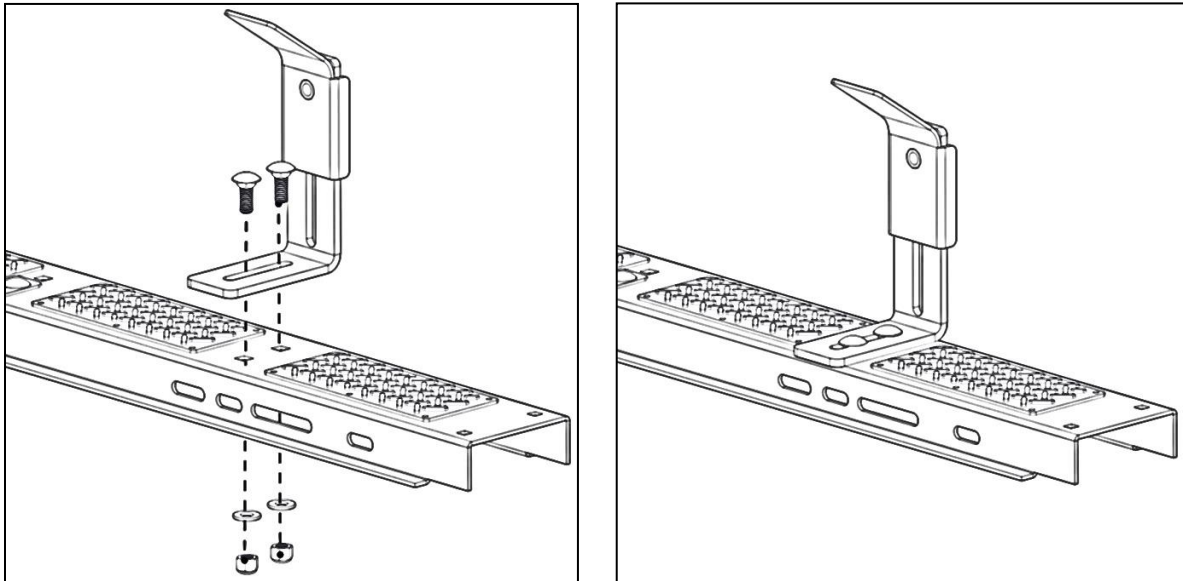
- Bolt the latch to the round tube installed in Step 4 through the vacant slot using 5/16" x 2" carriage bolt, 5/16" flat washer and a 5/16" lock nut.
- TIGHTEN.



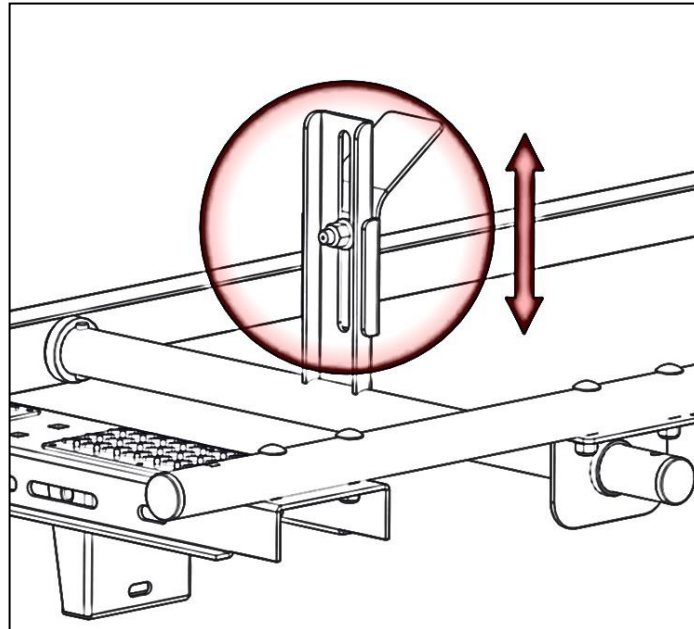
## **Step 8 – Mount Ladder Stop**

- Bolt the ladder stop to the front bow in the orientation shown using two 3/8" x 1" carriage bolts, two 3/8" flat washers and two 3/8" lock nuts.
- Adjust clamp on bracket to fit firmly against your ladder.
- TIGHTEN.

*\*Shown without some parts for clarity\**



**After installation, adjust clamps to fit firmly against the ladder.**



**GO BACK AND ENSURE ALL HARDWARE IS TIGHT**

**INSTALLATION IS NOW COMPLETE.**