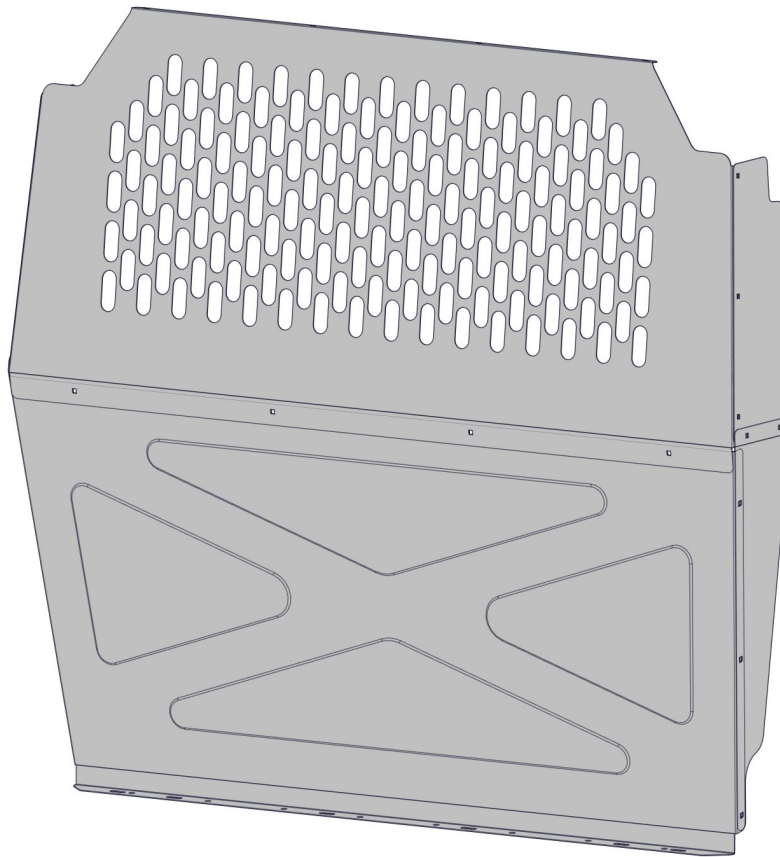

Holman

Instruction Guide

40670



Holman
Rancho Cordova, CA 95742
800-343-7486
InstallationSupport@Holman.com

PLEASE READ ALL INSTRUCTIONS AND WARNINGS PRIOR TO ASSEMBLING, INSTALLING, AND USING THIS PRODUCT

Warning



Always check for wires, fuel tanks and lines, brake lines and other important vehicle functionality items prior to drilling and installing all products.

Tools Needed

Phillips Driver	7/16" Socket and Wrench
1/2" Socket and Wrench	3/8" Socket and Wrench
13mm Socket and Wrench	10mm Socket and Wrench

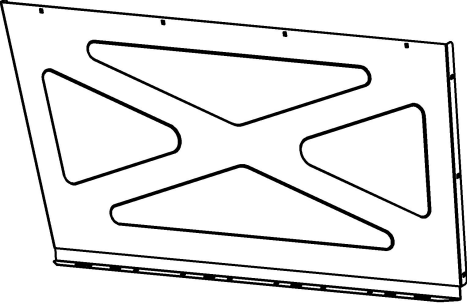
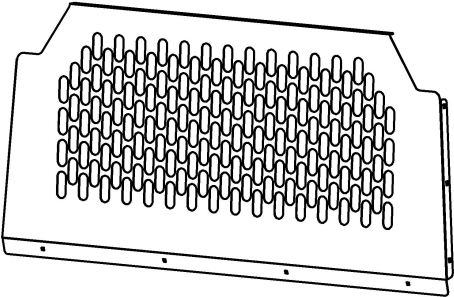
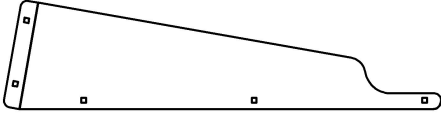
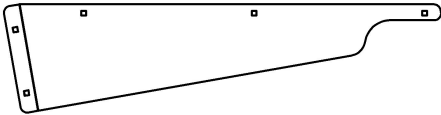
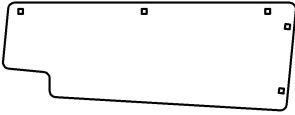

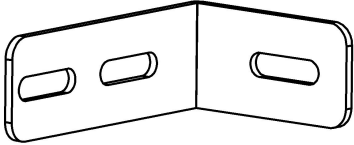
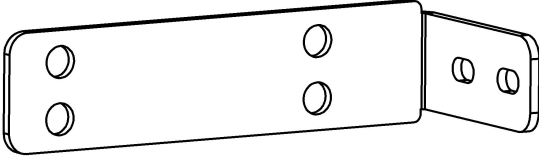
Table of Contents

Parts List	3-4
Hardware List	5-6
Step 1 – All Vehicles – Partition Assembly	7-8
Transit Connect	
Step 2 – Floor Mounts	9
Step 3 – Upper Mounts	10
Step 4 – Upper Mount Assembly to Partition	11
Step 5 – Base Plates to Van	12
Step 6 – Upper Mounts to Van	13
NV200/City Express	
Step 2 – Upper Panel	14
Step 3 – Partition to Van Floor	15
Step 4 – Upper Panel to Van	16
ProMaster City	
Step 2 – Upper Panel	17
Step 3 – Upper Mount to Van	18
Step 4 – Partition to Van Floor	19
Step 5 – Upper Mount to Upper Panel	20
Recommended Step – All Vehicles – “B” Pillar Support	21

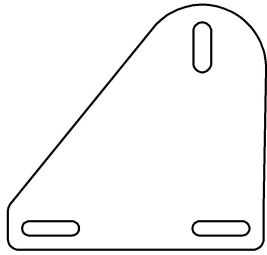
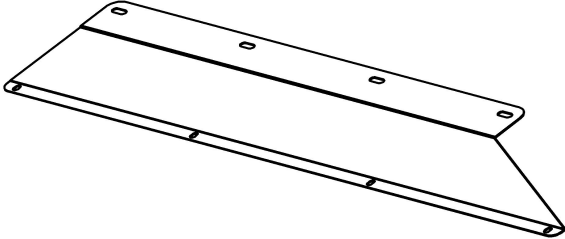
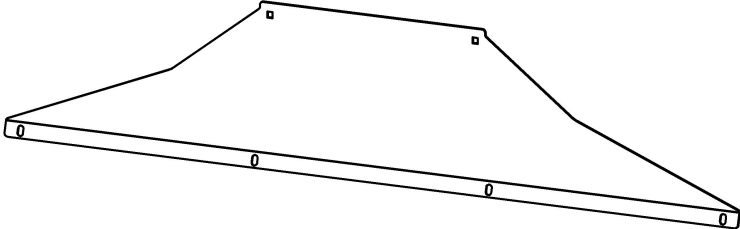
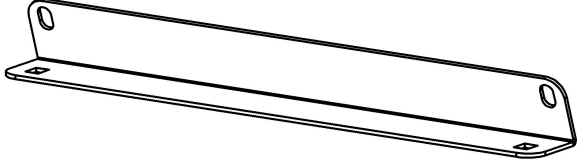
Before You Begin

- Read all instructions.
- Ensure safety when drilling.
- Different self-drilling screws can be used for ease of installation.
- Follow recommended step at the end of the instructions for ultimate strength of partition.
- There are different lengths of 1/4" carriage bolts, pay close attention to which is being used in each step.

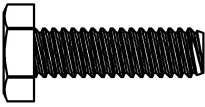
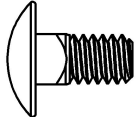
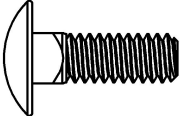
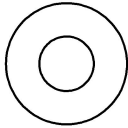

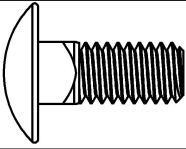
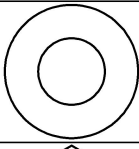

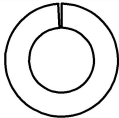
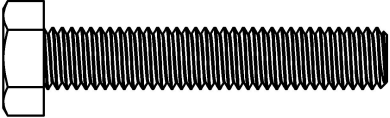
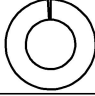
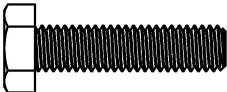
Parts

ITEM NO.		PART NUMBER	DESCRIPTION	QTY.
A		40670-00-001	Bottom Panel	1
B		40670-00-002	Top Panel	1
C		40670-00-003	Lower Wing Panel-PS	1
D		Mirror40670-00-003	Lower Wing Panel-DS	1
E		40670-00-004	Upper Wing Panel	2
F		40670-00-005	TC-Rail Mount	1
G		40670-00-006	Support Bracket	2
H		40670-00-007	TC-Upper Mount	2

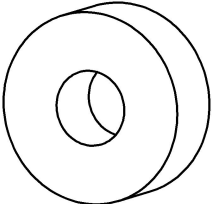
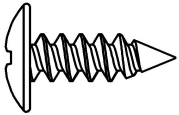
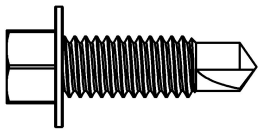
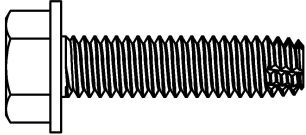
Parts Continued

ITEM NO.		PART NUMBER	DESCRIPTION	QTY.
J		40670-00-008	TC-Base Plate	2
K		40670-00-009	NV-Upper Panel	1
L		40670-00-010	Ram-Upper Panel	1
M		40670-00-011	Ram-Upper Mount	1
		18-4067x-R1	Hardware	1

Hardware

ITEM NO.	TO SCALE	PART NUMBER	DESCRIPTION	QTY.
1		92865A541	1/4"-20 x 7/8" Hex Head	4
2		93548A530	1/4"-20 x 1/2" Carriage Bolt	24
3		90185A540	1/4"-20 x 3/4" Carriage Bolt	6
4		90126A029	1/4" Flat Washer	6
5		93298A110	1/4"-20 Flanged Nyloc	32
6		90185A581	5/16" x 3/4" Carriage Bolt	4
7		90126A030	5/16" Flat Washer	32
8		95615A160	5/16"-18 Nyloc	4
9		91202A238	M8 Split Lock Washer	4
10		91280A544	M8x1.25 x 45mm Hex Head	4
11		91202A234	M6 Split Lock Washer	2
12		91280A334	M6x1 x 25mm Hex Head	2

Hardware Continued

ITEM NO.	TO SCALE	PART NUMBER	DESCRIPTION	QTY.
13		.375 x 1.00D x .39ID Nylon Spacer	Material: Nylon	6
14		93406A313	1/4" x 3/4" Sheet Metal Screw	4
15		90064A705	5/16" x 1" Drill Tip Screw	4
16		90096A585	5/16" x 1-1/4" Thread Cutting Screw	4

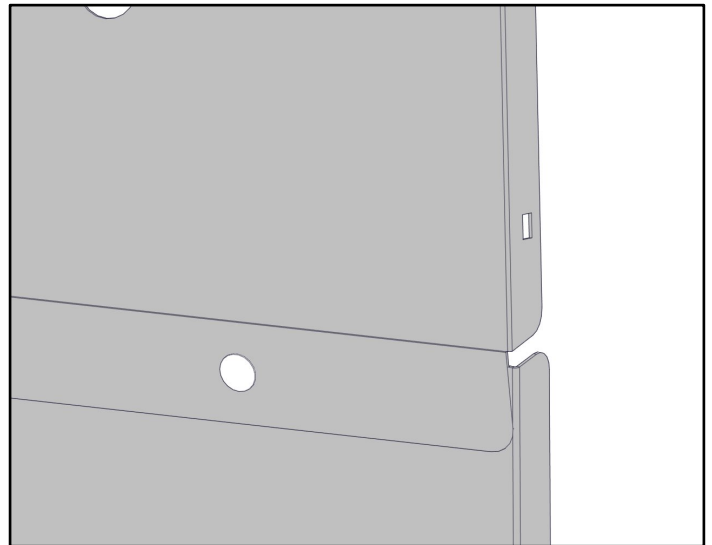
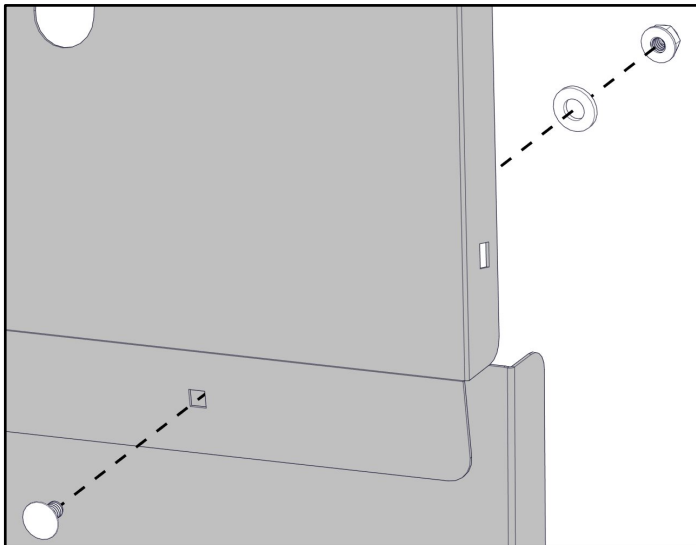
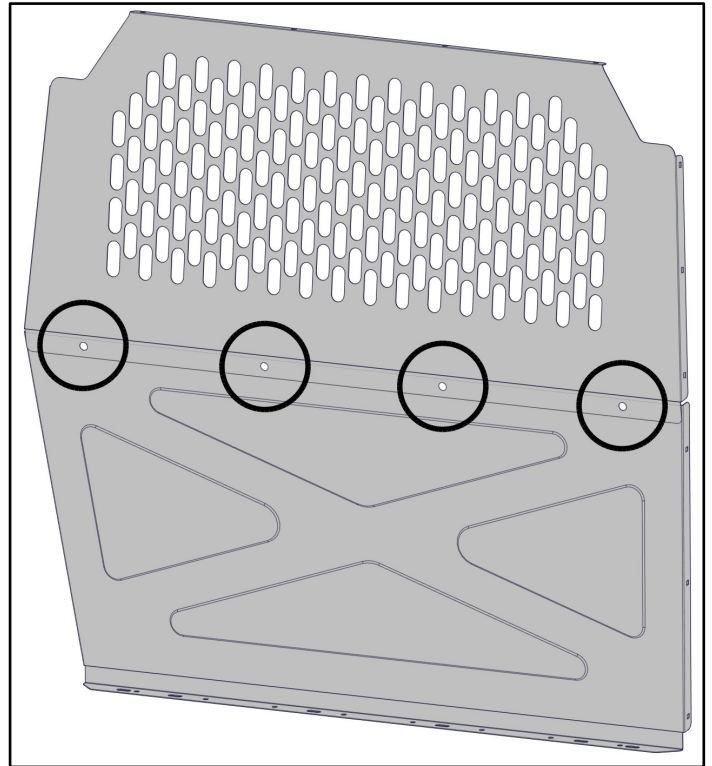
Step 1 – Assembly – All Vehicles

- Bolt bottom panel to the top panel using four 1/4" x 1/2" carriage bolts, four 5/16" flat washers and four 1/4" flanged nyloc nuts, in the orientation shown.

Note: Be sure to use the correct length carriage bolt.

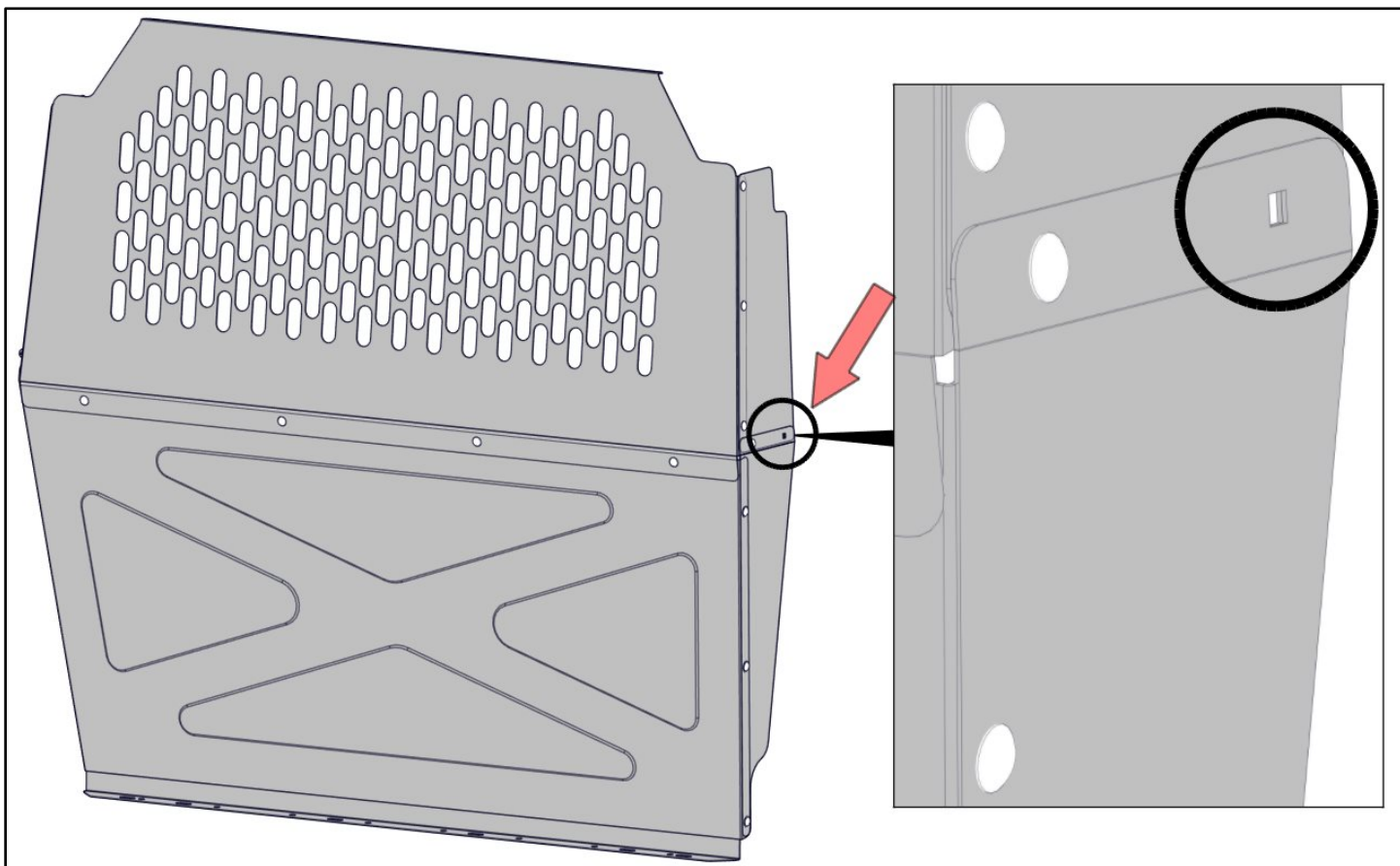
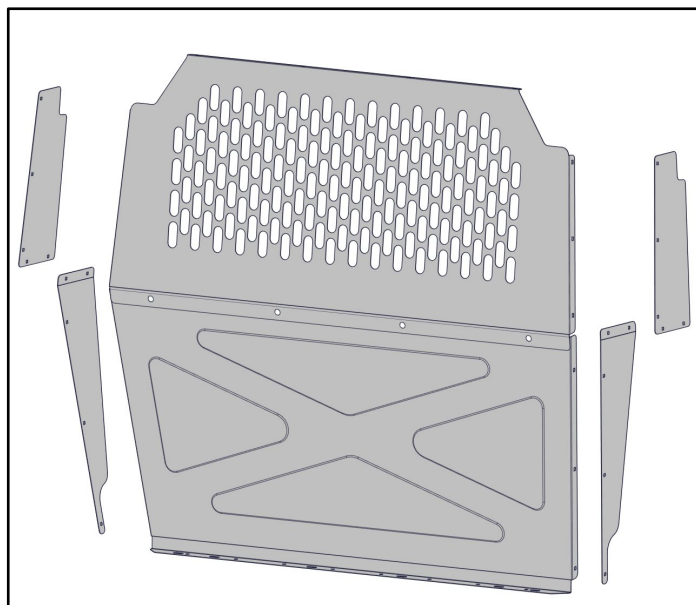
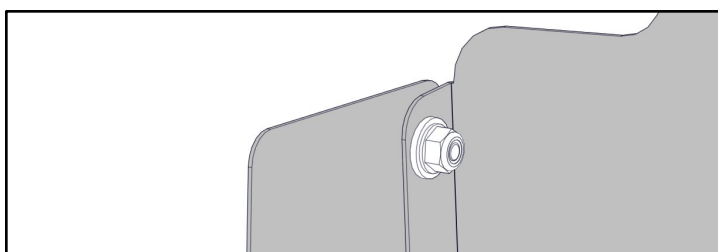
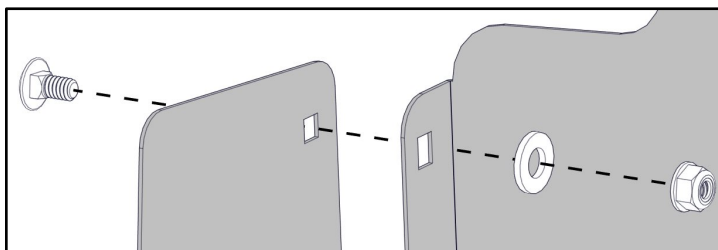
- Snug tighten, but allow movement.

Note: The top pan sits on top of the bottom panel.



- Bolt the upper wing panels and lower wing panels to the sides of the assembled top and bottom panels using 1/4" x 1/2" carriage bolts, 5/16" flat washers and 1/4" flanged nyloc nuts, in the orientation shown.
- Leave the square slot vacant on both sides where shown below.
- Tighten all hardware.

Note: Be sure to use the correct lower wing panels. They are side specific.



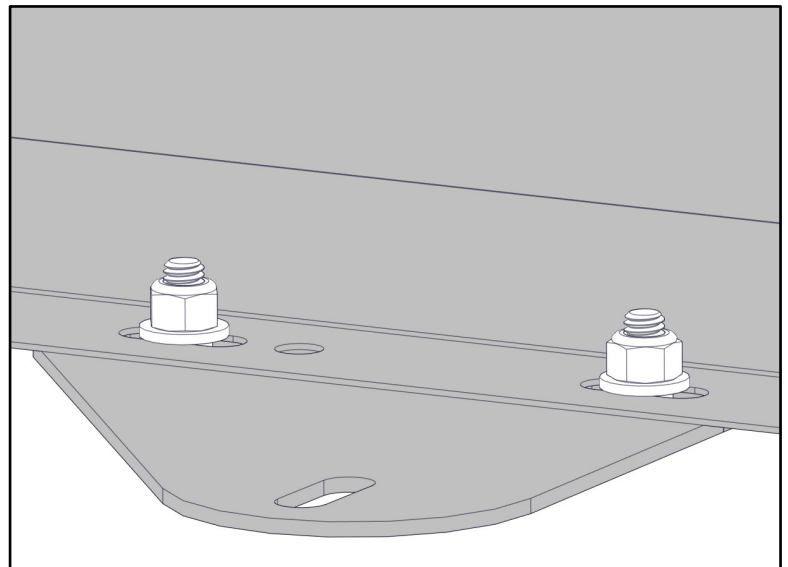
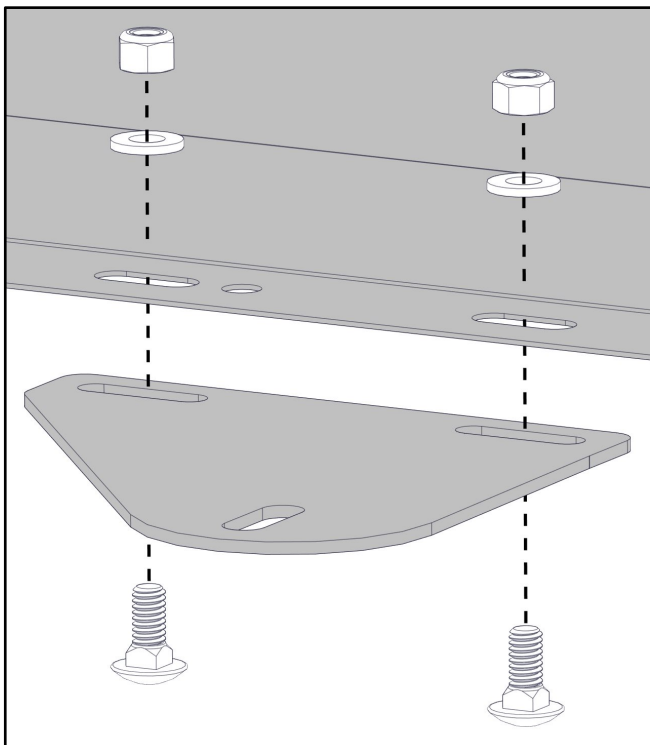
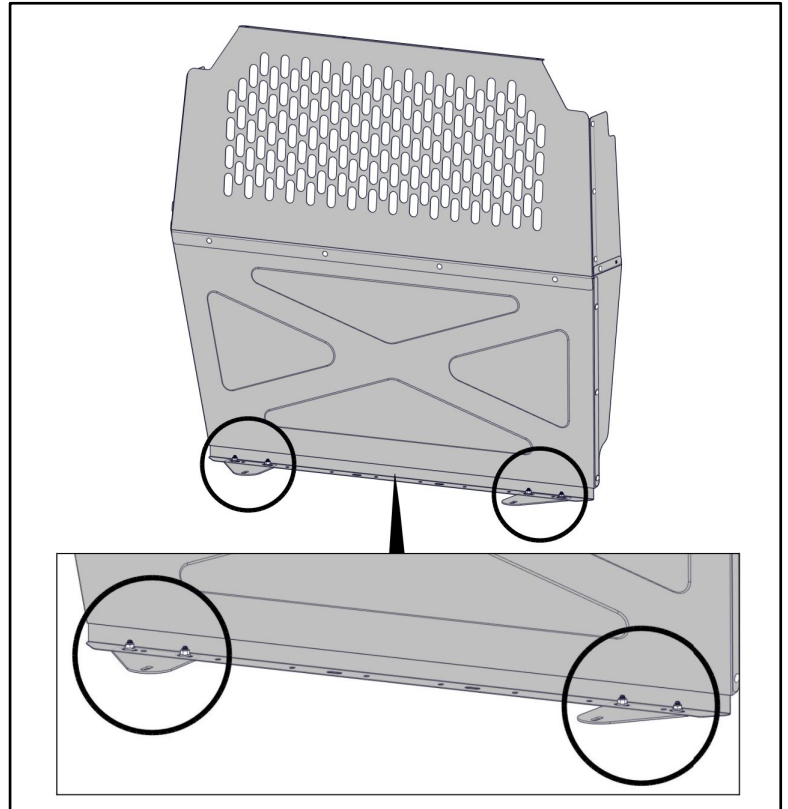
FIND VEHICLE SPECIFIC INSTRUCTIONS BELOW

Skip to Page 14 for NV 200/City Express Step 2

Skip to Page 17 for ProMaster City Step 2

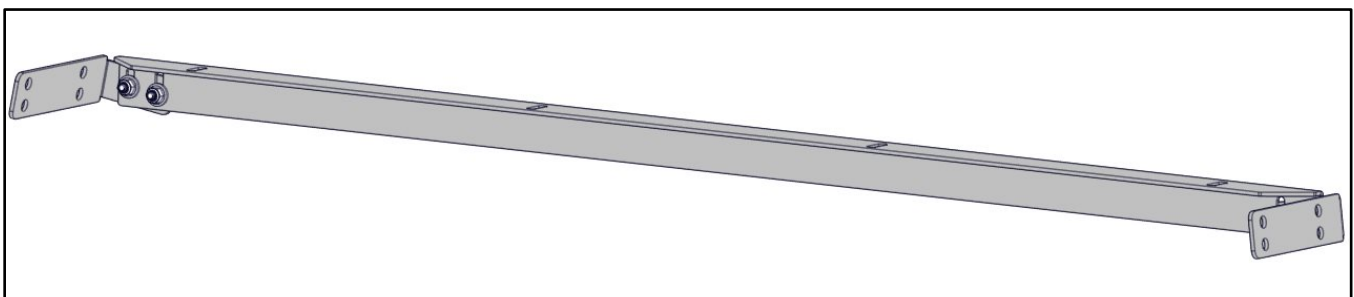
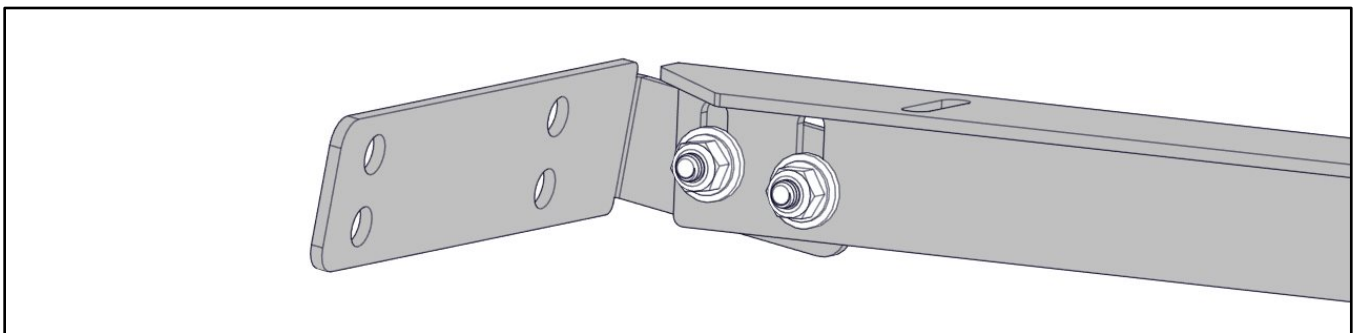
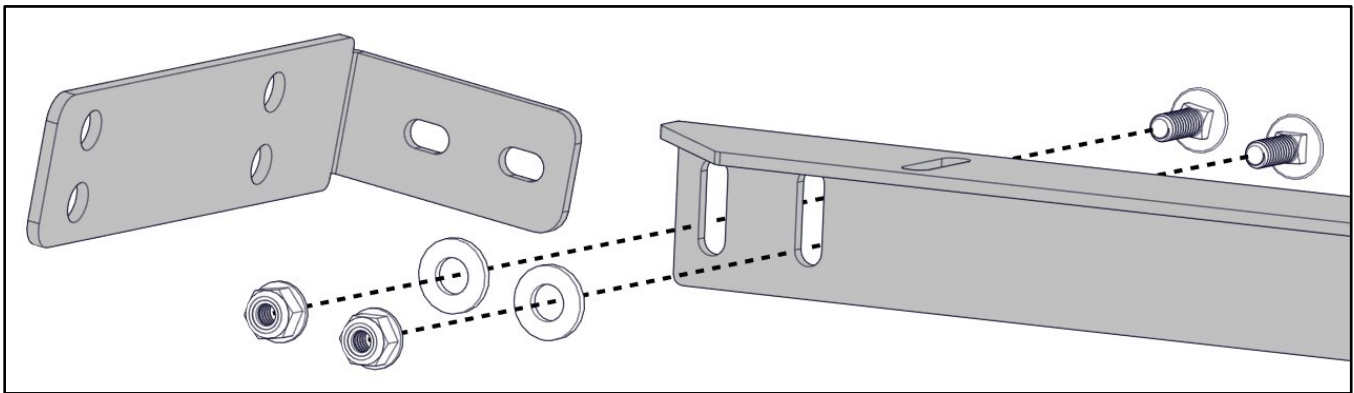
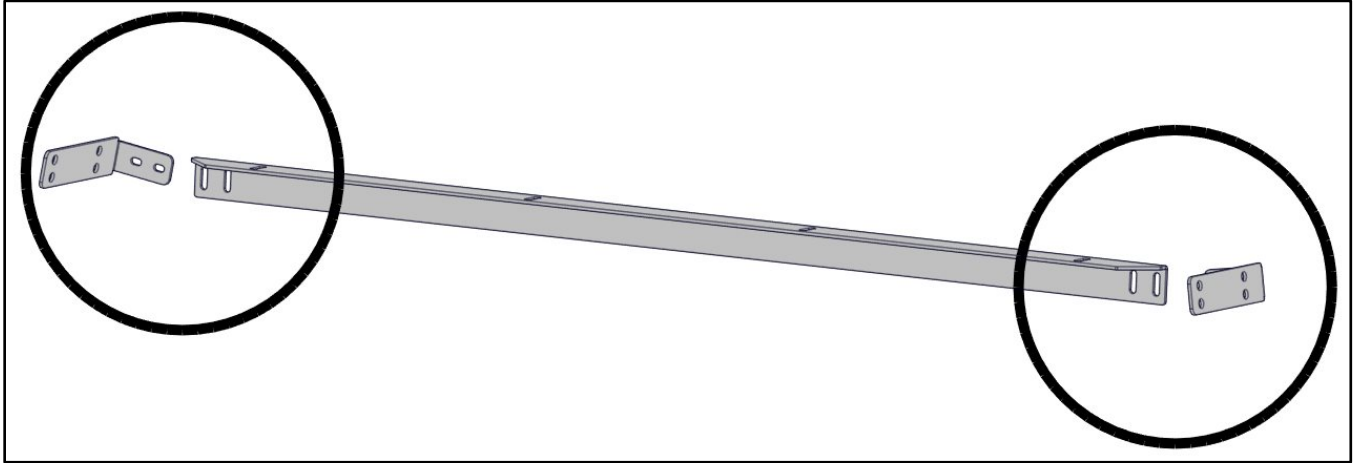
Step 2 - Transit Connect – Floor Mounts

- Bolt the TC-base plates through the two outer most slots on the bottom of the partition assembly from step 1 using 5/16" x 3/4" carriage bolts, 5/16" flat washers and 5/16" nyloc nuts in the orientation shown. The heads of the carriage bolts should be to the bottom.
- Repeat on both sides.
- Snug tighten, but allow movement.



Step 3 Transit Connect – Upper Mounts

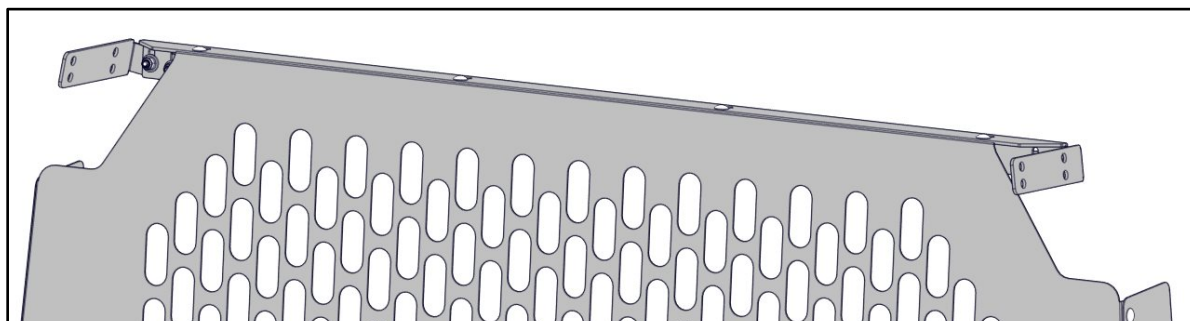
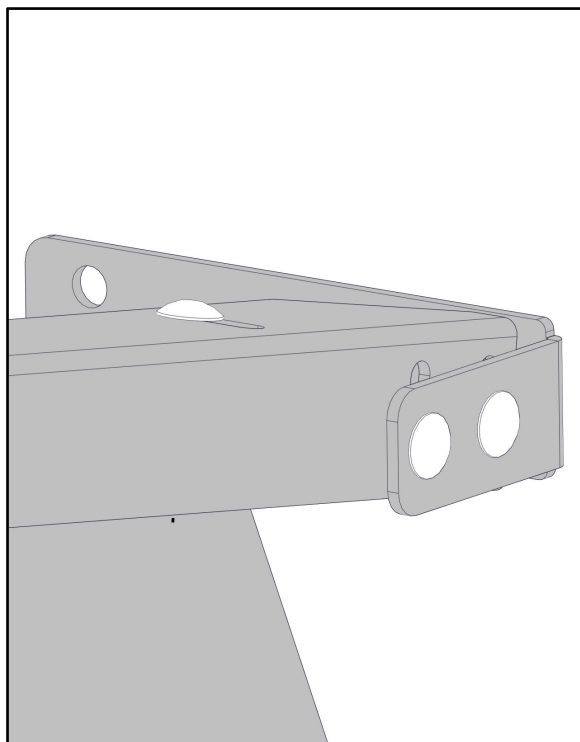
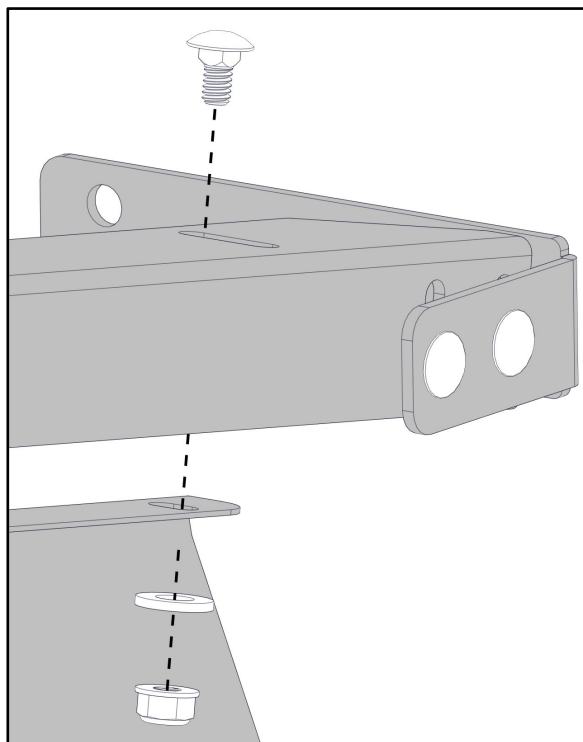
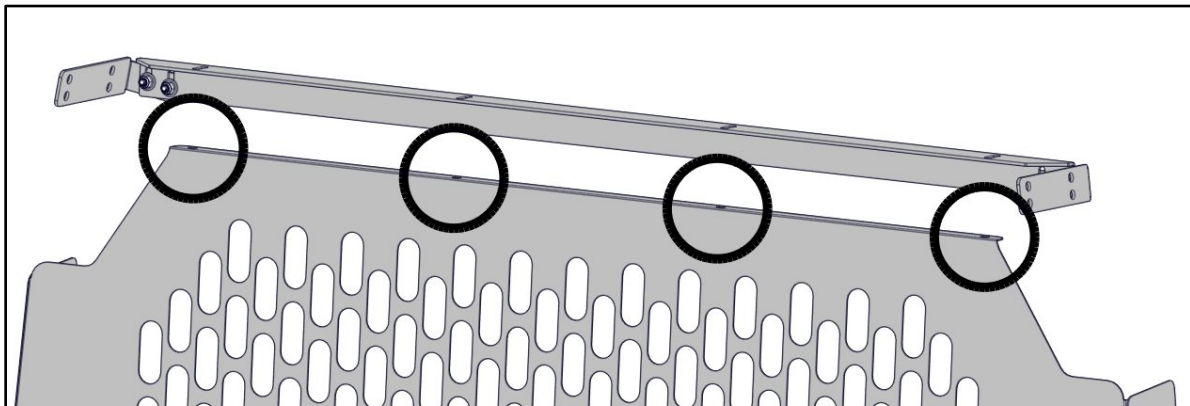
- Mount the TC-upper mount to each end of the TC-rail mount in the orientation shown using 1/4" x 3/4" carriage bolts, 5/16" flat washer and 1/4" flanged nyloc nuts.
- Snug tighten, but allow movement.



Step 4 Transit Connect – Upper Mount Assembly to Partition

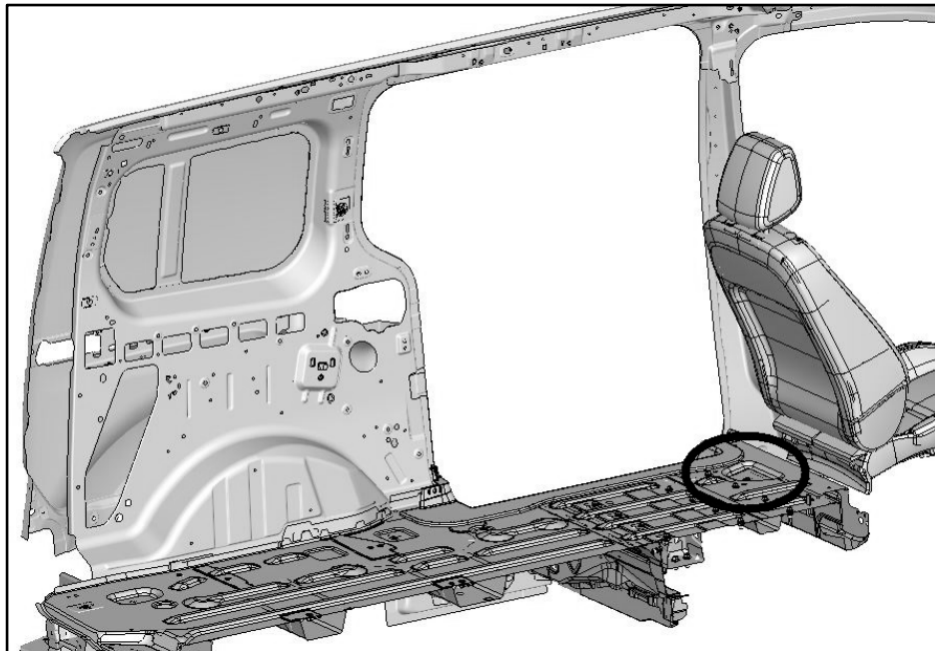
- Mount the upper mount assembly to the top of the partition assembly in the orientation shown using 1/4" x 1/2" carriage bolts, 5/16" flat washers and 1/4" flanged nyloc nuts.
- Repeat in the four locations shown.
- Snug tighten, but allow movement.

Note: In some situations, the partition may need to be placed into van prior to installing the upper mount assembly.

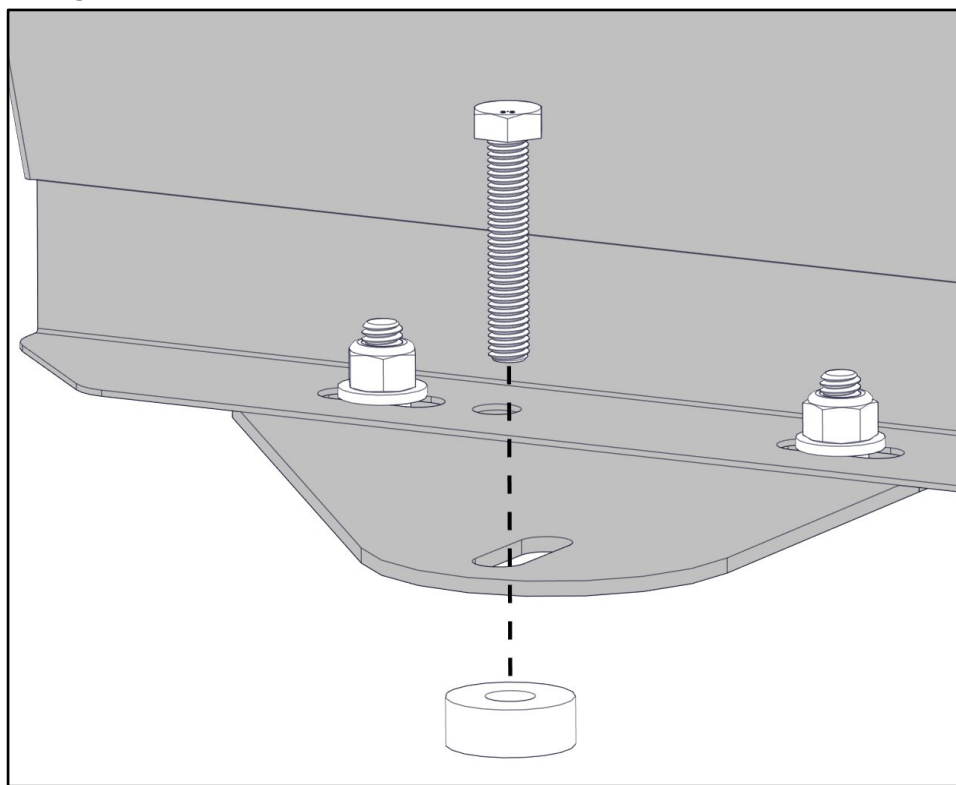


Step 5 Transit Connect – Base Plates to Van

- Remove the factory D-Ring from the floor near the sliding door in the location shown.
- Repeat on the passenger side.

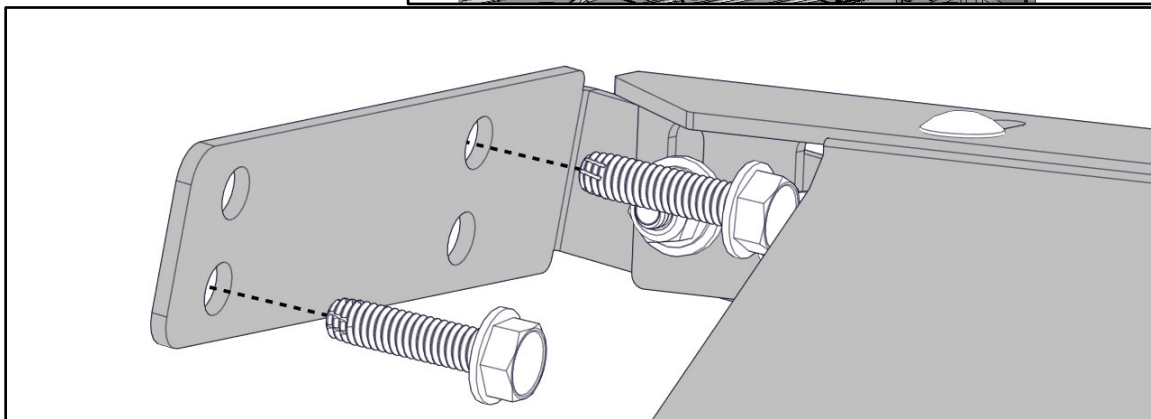
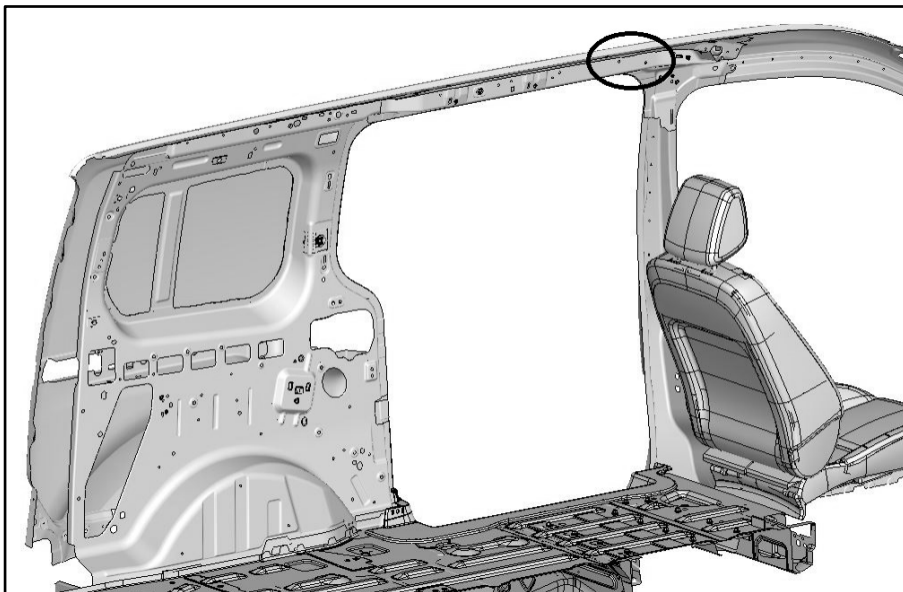


- Place the assembled partition into the van. Position so the bend in the partition allows for maximum seat adjustment.
- Align the slots in the TC-base plate with the threads from where the D-Rings were previously removed.
- Place a nylon spacer under each base plate and align with the threads from the previously removed D-Ring. Use the factory hardware to attach the base plate to the floor. (The bolt shown here references the D-Ring.)
- Repeat on both sides.
- Snug tighten, but allow movement.

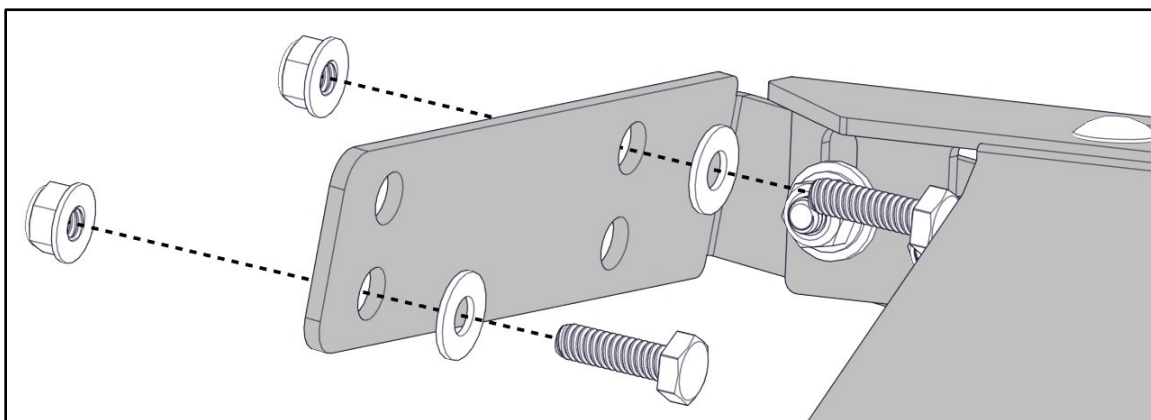


Step 6 Transit Connect – Upper Mounts to Van

- Remove the factory foam inserts from above the sliding door in the location shown.
- Align and attach the upper mounts to the now exposed holes using 5/16" x 1-1/4" self-threading screws.
- Repeat on both sides.
- Tighten.



Note: If desired, one can attach this bracket using 1/4" x 7/8" hex head bolts, 1/4" flat washers and 1/4" flanged nyloc nuts. This provided a more robust fitment, but is more difficult to install.



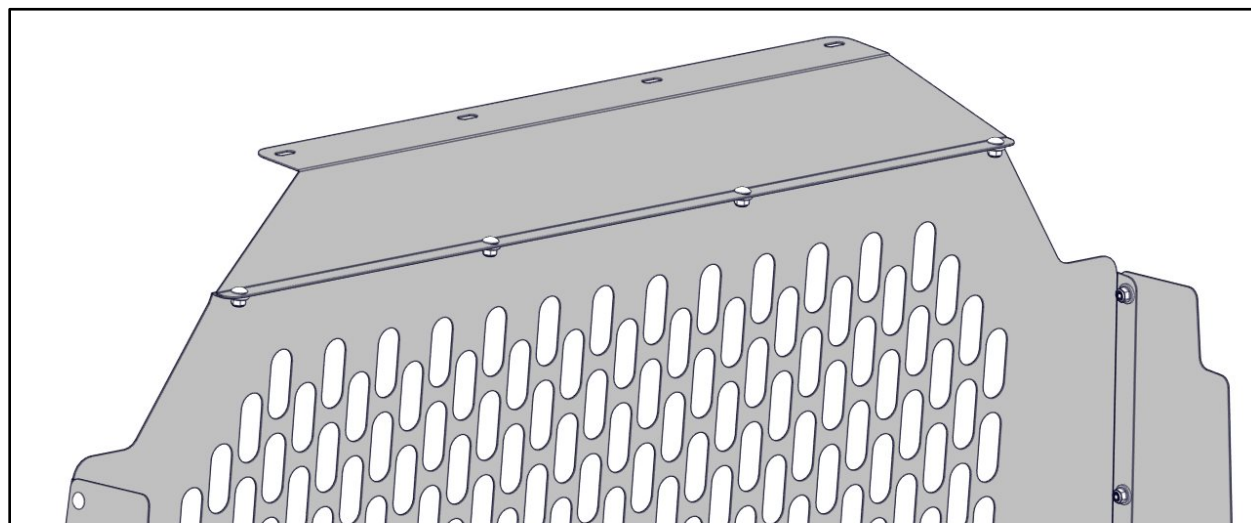
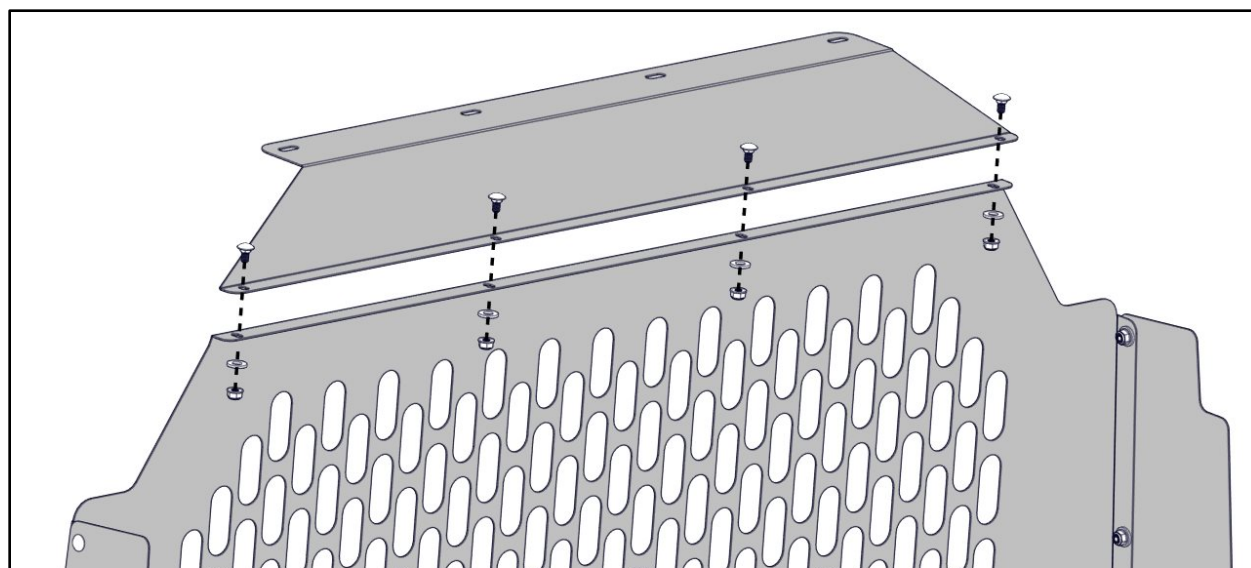
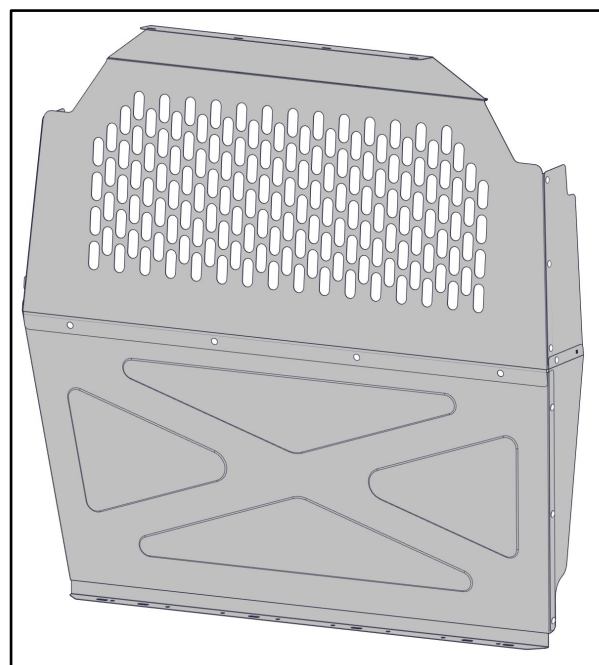
Proceed to page 21, the recommended step at the end of the instructions

Step 2 NV200/City Express – Upper Panel

- Bolt the NV-upper panel to the partition assembly in the orientation shown using 1/4" x 1/2" carriage bolts, 5/16" flat washers and 1/4" flanged nyloc nuts.

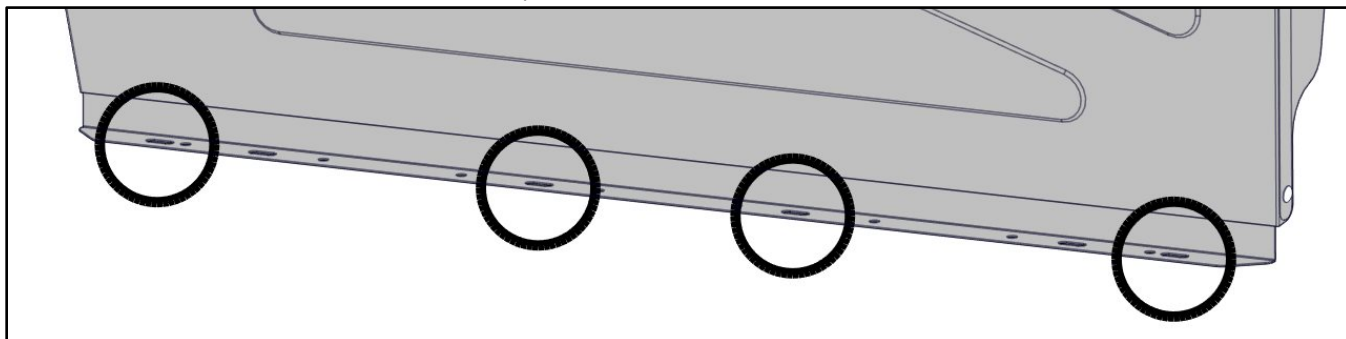
Notice the flange on the upper mount faces the opposite direction of the wing panels

- Snug tighten, but allow movement.

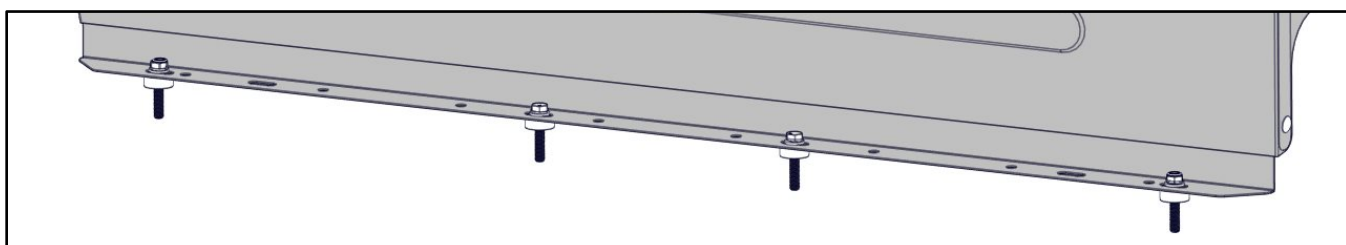
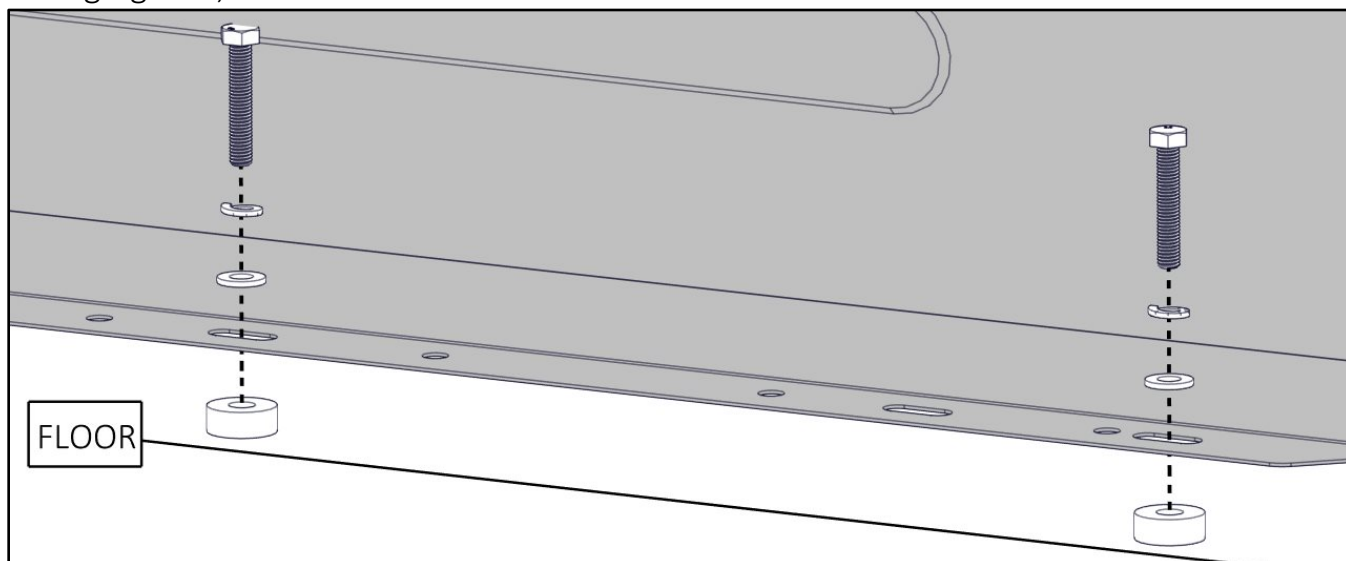


Step 3 NV200/City Express – Partition to Van Floor

- Remove the D-Rings from the floor of the van. These are located behind the seats, near the slider doors.
- Place the assembled partition into the van. Position so the bend in the partition allows for maximum seat adjustment.
- Align the outside slots on the bottom flange of the partition with the holes from the previous removed D-Rings.
- Mark the center two slots with a pen, onto the van floor mat.

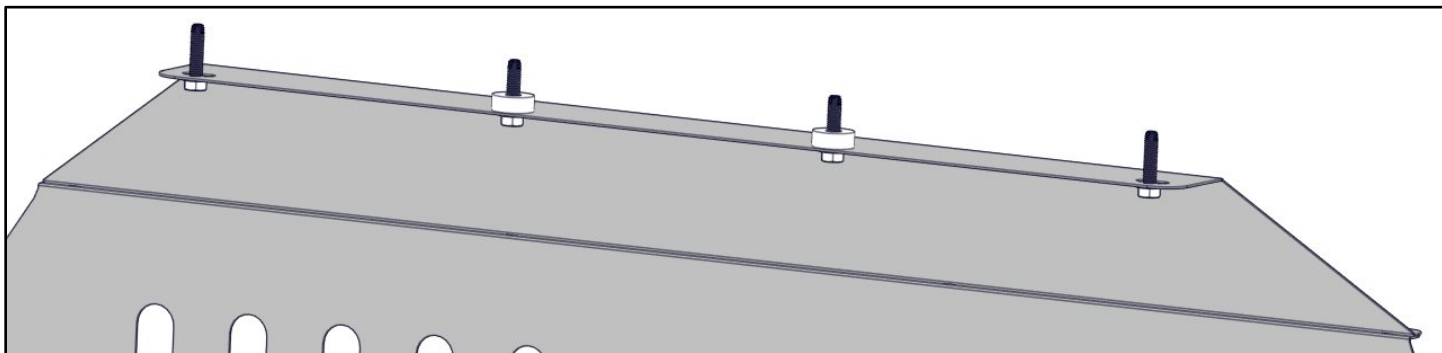
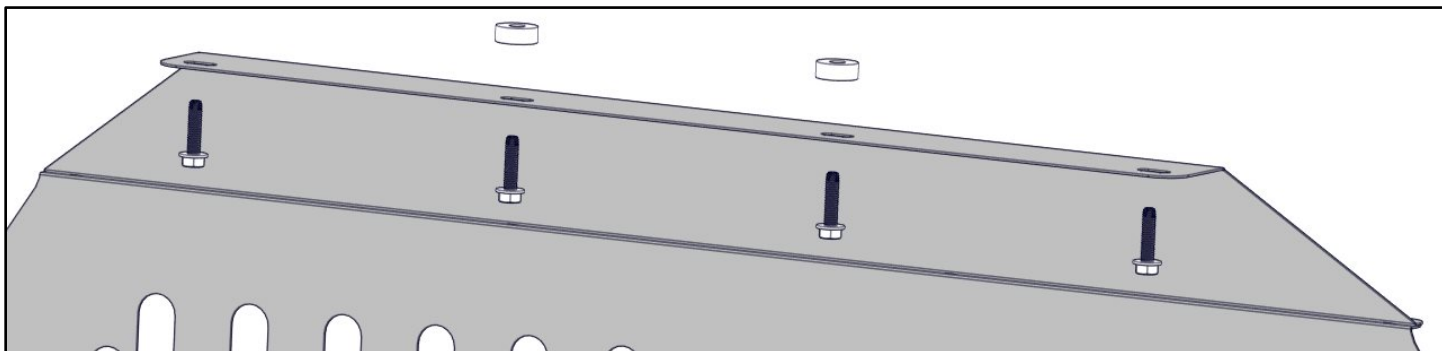


- Remove the partition and cut the mat to expose the center two threaded mount locations. Once exposed, use a holesaw or utility knife to cut 1"OD hole around the mounting location.
- Replace partition.
- Attach the bottom of the partition to the exposed mounts in the floor of the van using M8 x 45mm hex head bolts, M8 lock washers and 5/16" flat washers.
- Snug tighten, but allow movement.



Step 4 NV200/City Express – Upper Panel to Van

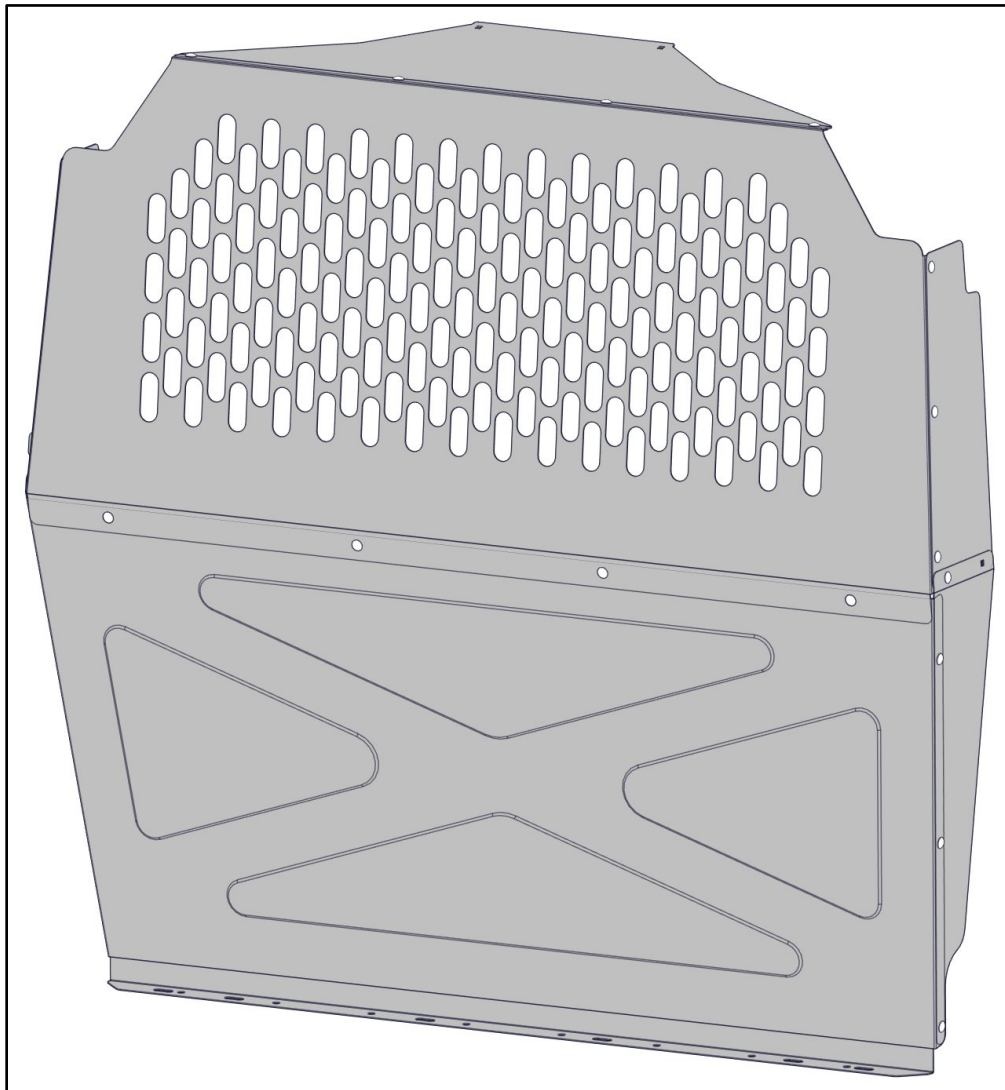
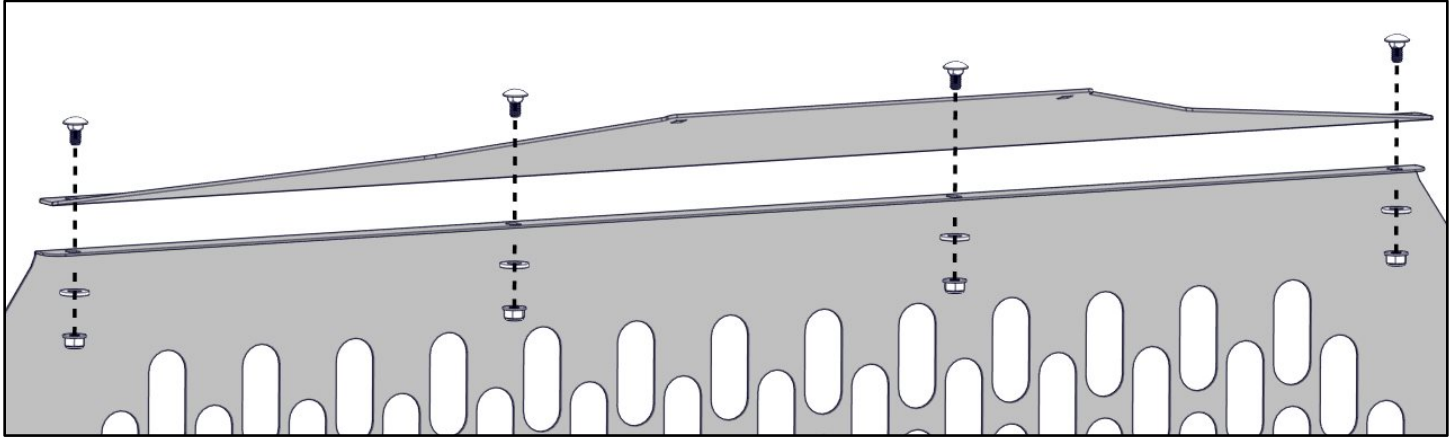
- Locate and remove the headliner fasteners near the mounting locations on the upper panel.
- Align the top of partition with the holes where the headliner fasteners were removed.
- Use nylon spacers in the center two holes.
- Screw into roof using 5/16" x 1-1/4" self-threading screws. Ensure safety prior to installing.
- Snug tighten, but allow movement.



Proceed to page 21, the recommended step at the end of the instructions

Step 2 Promaster City – Upper Panel

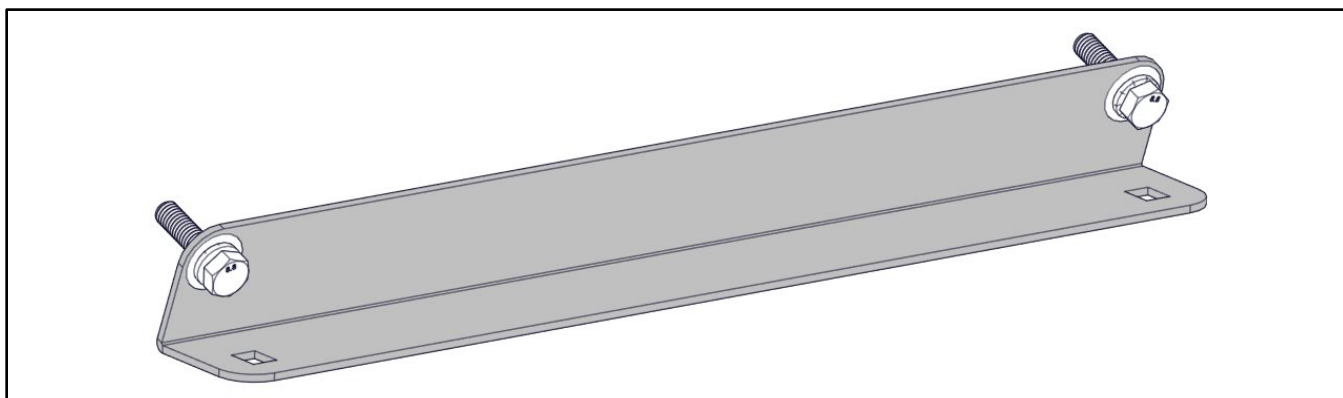
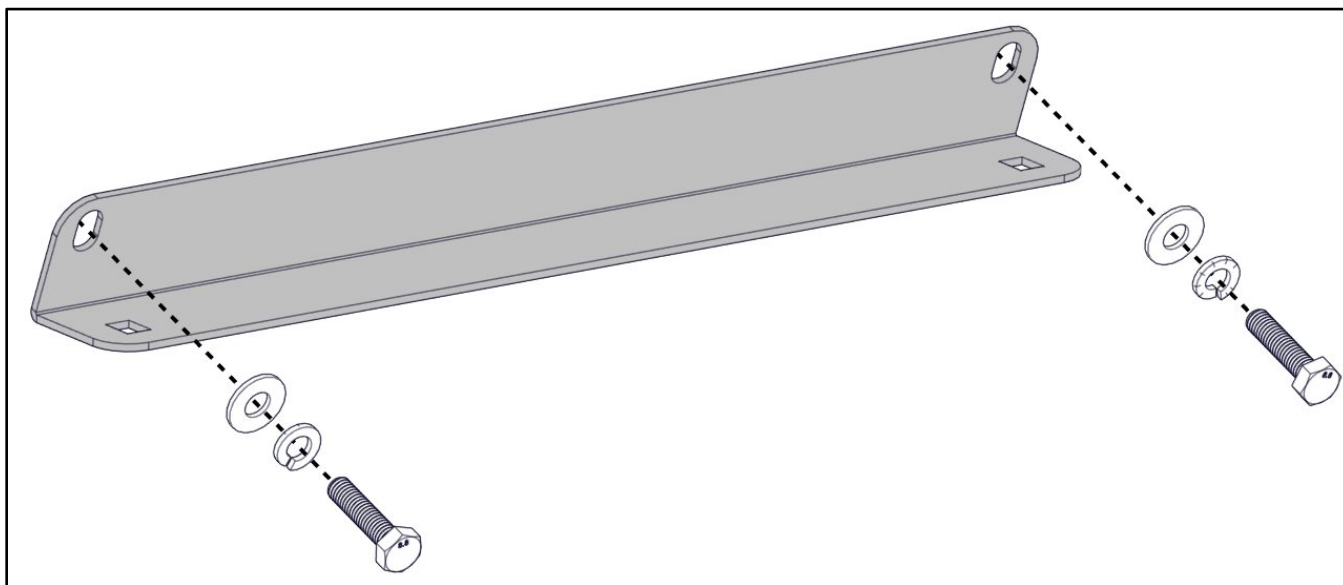
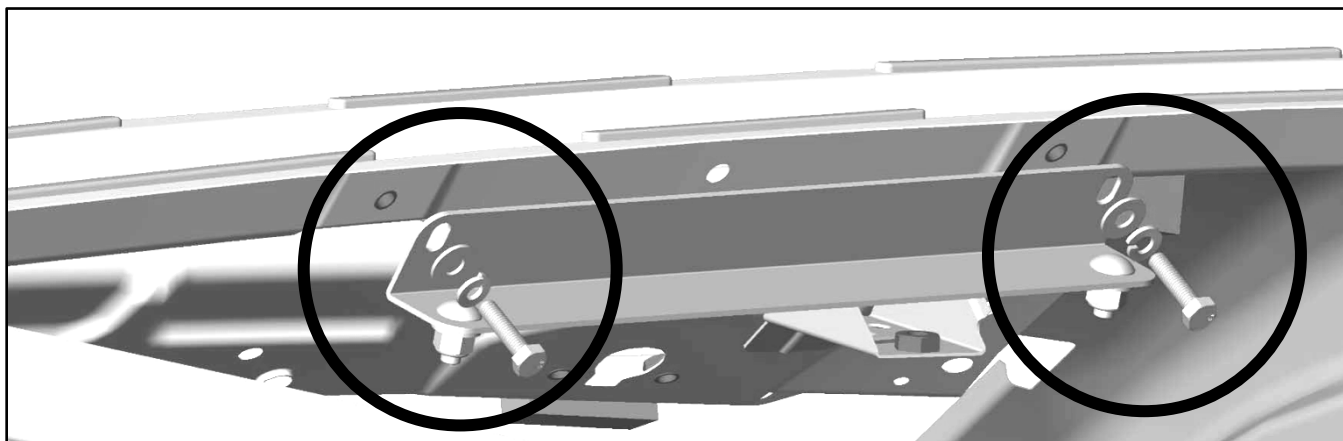
- Bolt the Ram-upper panel to the partition assembly using 1/4" x 1/2" carriage bolts, 5/16" flat washers and 1/4" flanged nyloc nuts in the orientation shown. The top mount extends in the same direction as the wing panels.



Step 3 Promaster City – Upper Mount to Van

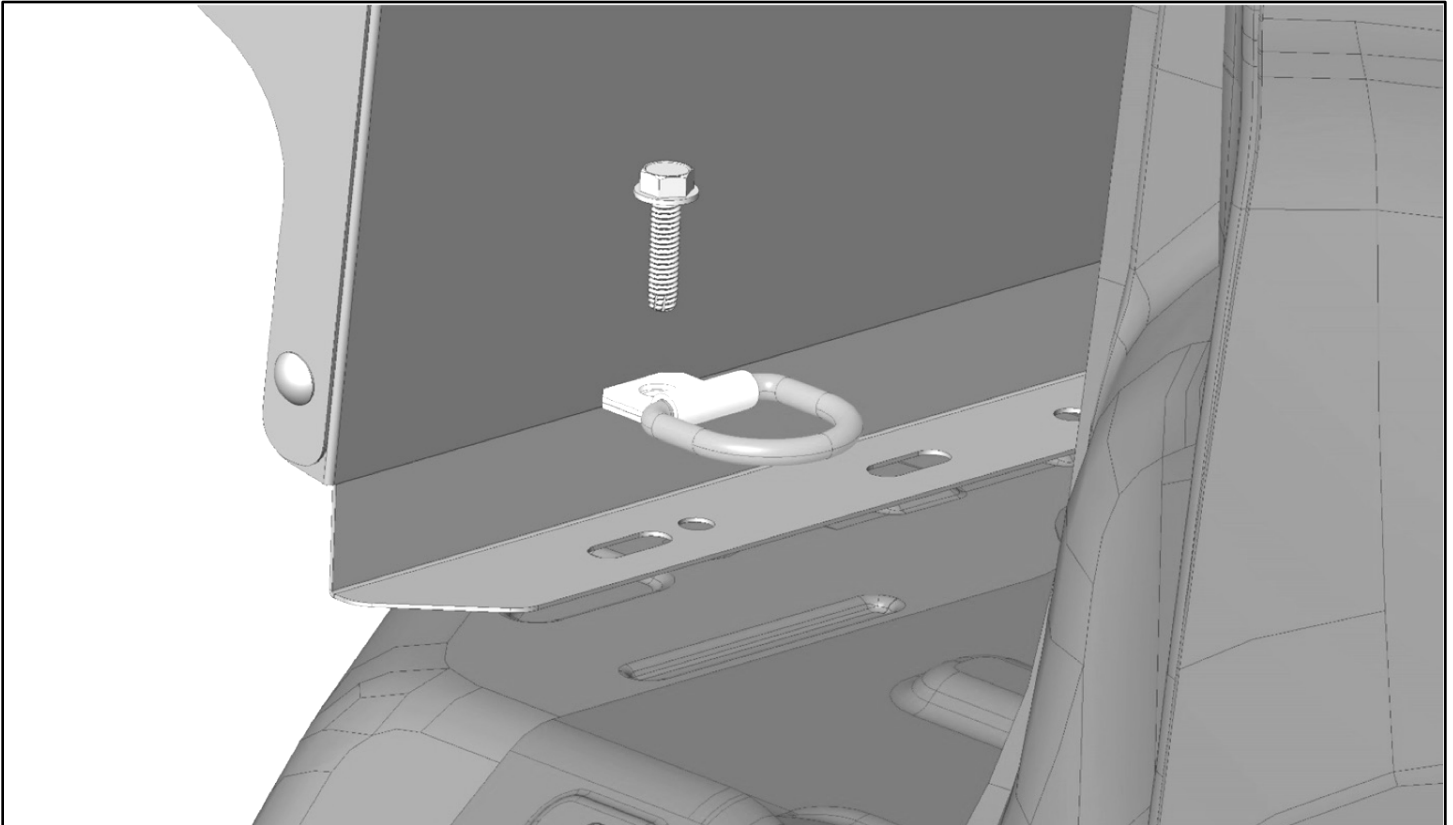
- Bolt the Ram-upper mount to the exposed threaded embosses in the cross support near the roof of the van using M6 x 25mm hex head bolts, M6 lock washers and 1/4" flat washers in the order shown.
- Snug tighten, but allow movement.

Note: The roof is cut away for clarity.



Step 4 Promaster City – Partition to Van Floor

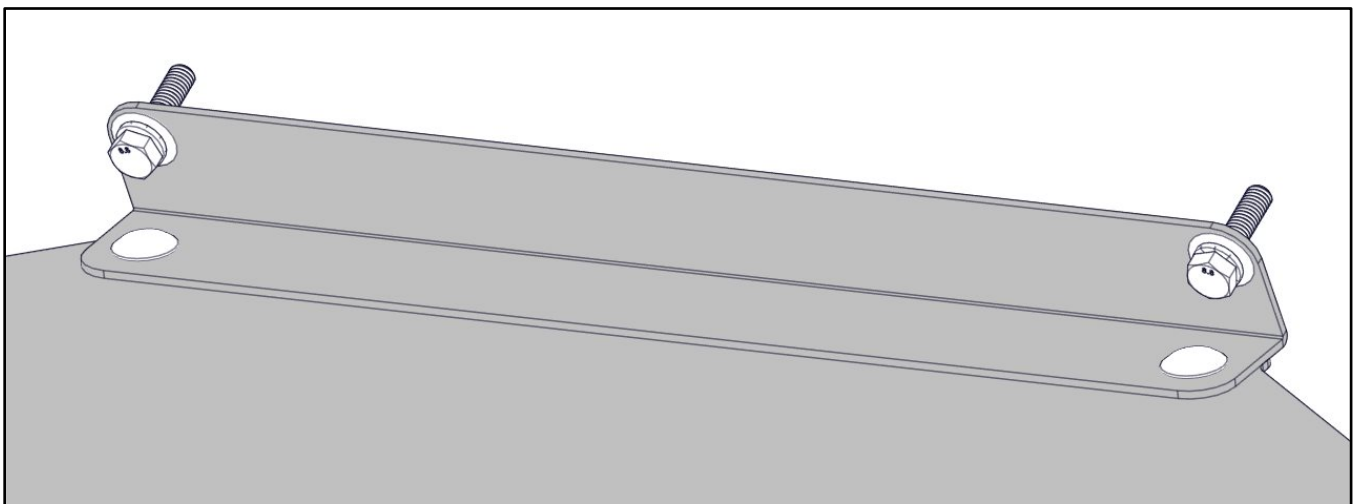
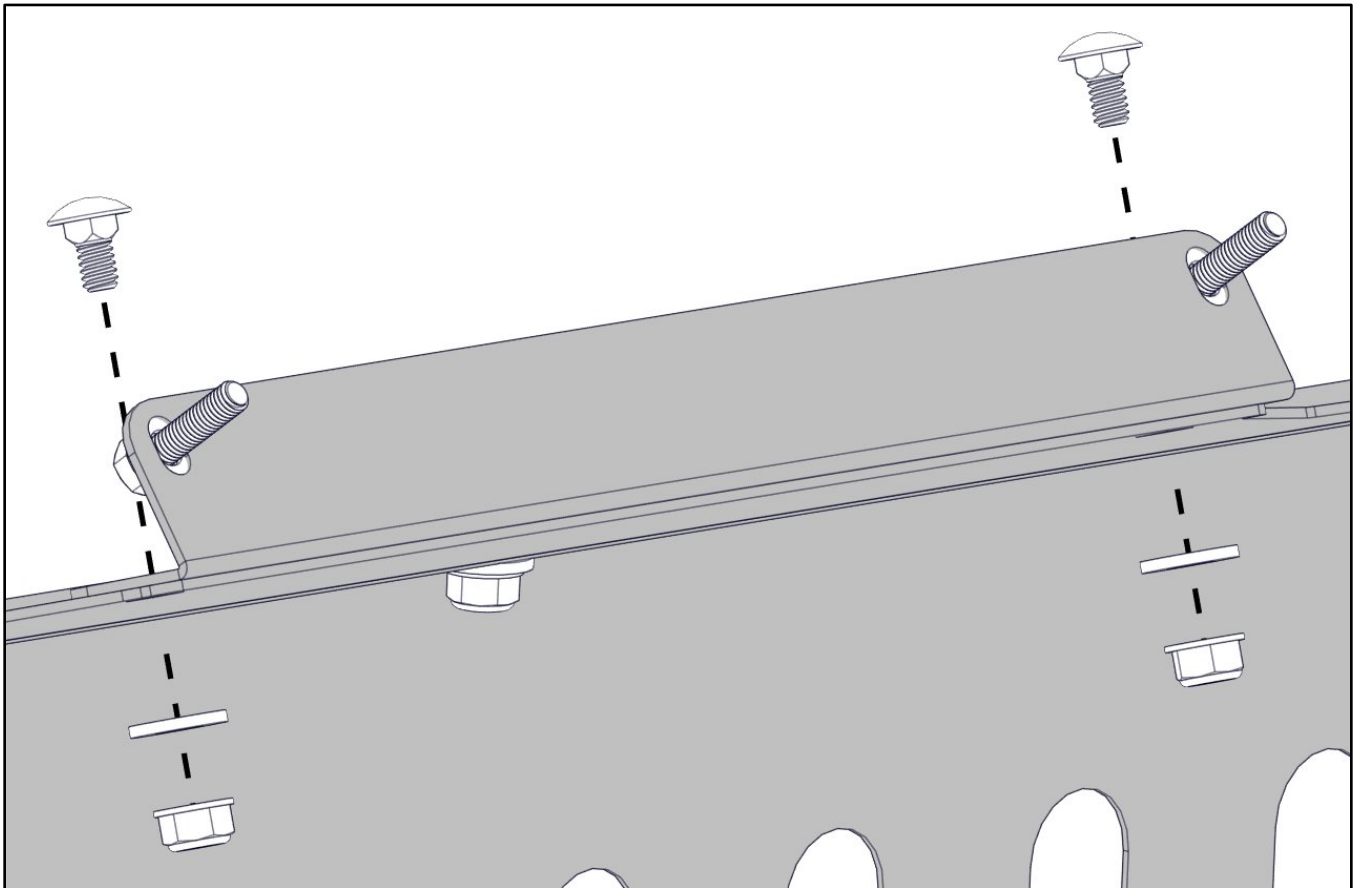
- Remove the two factory D-Rings on the floor behind the seat, near each sliding door.
- Place partition assembly into van and align the bottom panel with the previously removed D-Ring.
- Bolt the partition assembly to the floor using the previously removed D-Ring.
- Snug tighten, but allow movement.



Step 5 Promaster City – Upper Mount to Upper Panel

- At the top of the partition, join the Ram-upper mount to the ram-upper panel using 1/4" x 1/2" carriage bolts, 5/16" flat washers and 1/4" flanged nyloc nuts in the order shown.
- Tighten.

Note: Van not shown for clarity.

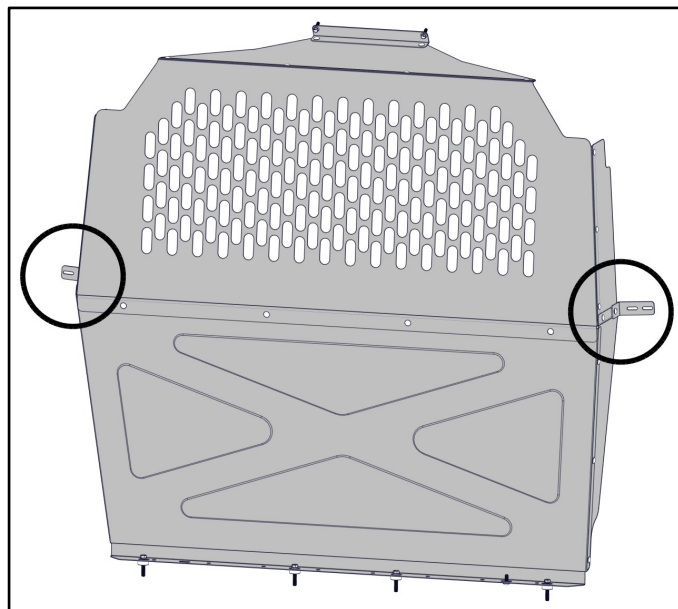


Proceed to page 21, the recommended step at the end of the instructions

Recommended Step

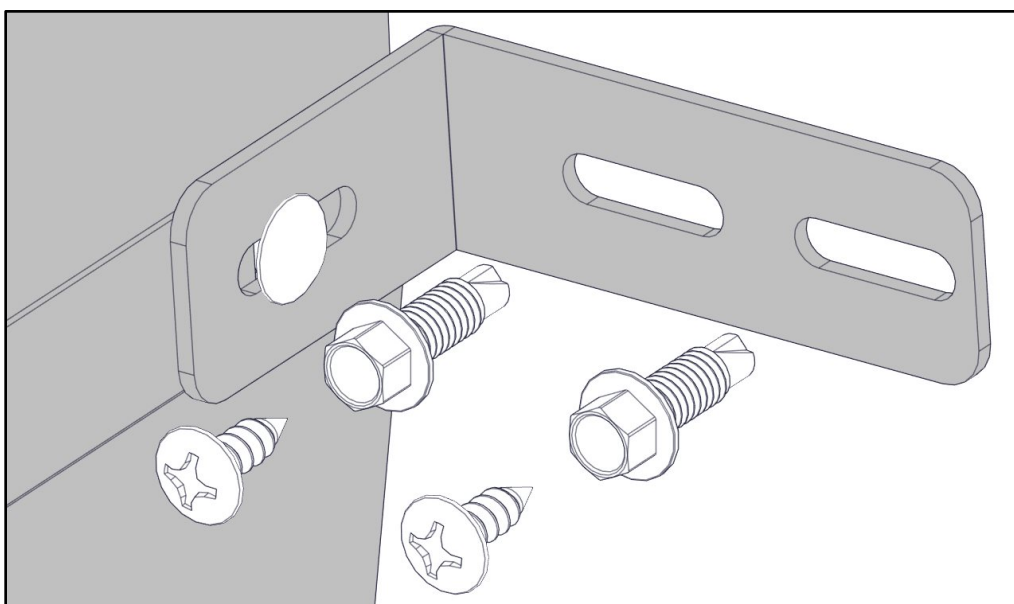
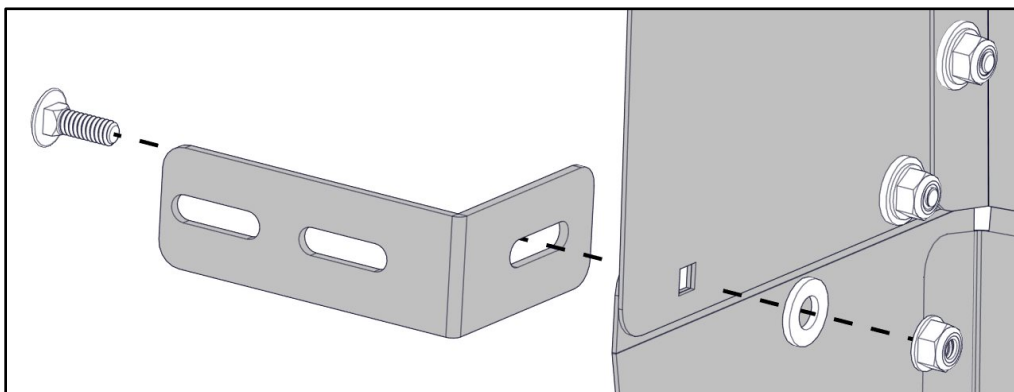
- It is recommended to install the B-pillar support bracket.
- Bolt the support bracket to the vacant slot from step 1 using a 1/4" x 3/4" carriage bolt and 1/4" flanged nyloc nut. The orientation of the bracket can be installed in either direction to best fit each van.
- Attach the support bracket to the B-pillar using 1/4" sheet metal screw or 5/16" self-tapping screw.

Note: If not installing the support bracket, fill the vacant slot from step 1 with a 1/4" x 3/4" carriage bolt and a 1/4" flanged nyloc nut.



****Ensure safety prior to drilling into B-pillar****

- Repeat on both B-pillars.



GO BACK AND TIGHTEN ALL HARDWARE FROM ALL STEPS

INSTALLATION IS NOW COMPLETE

