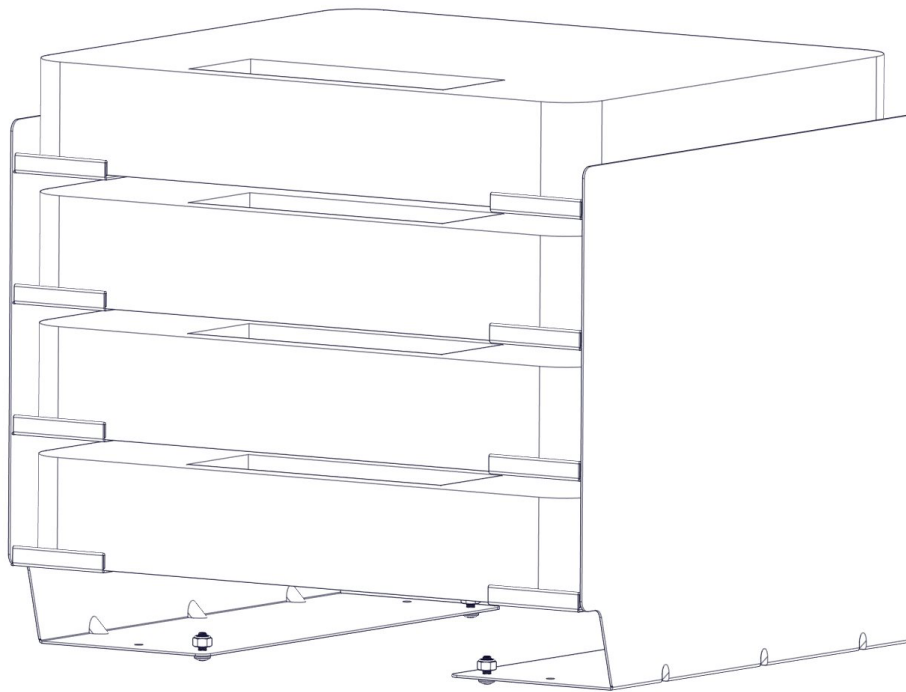

Holman

Installation Guide

40380



Holman
Rancho Cordova, CA 95742
800-343-7486
InstallationSupport@Holman.com

DATE: _____

***PLEASE READ ALL INSTRUCTIONS AND WARNINGS PRIOR TO ASSEMBLING,
INSTALLING, AND USING THIS PRODUCT***

Warning



Always check for wires, fuel tanks and lines, brake lines and other important vehicle functionality items prior to drilling and installing all products.

Tools Needed

Phillips Driver	1/4" Drill (optional)

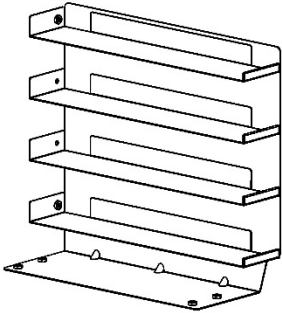
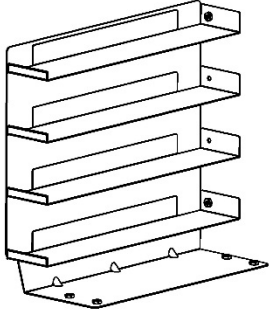

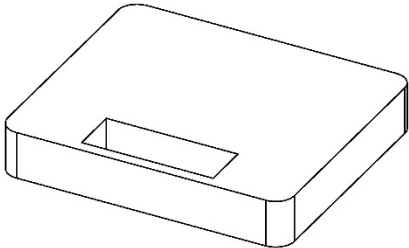
Table of Contents

Parts List	2
Hardware List	2
Step 1 Assemble	3
Step 2 Find Location	3
Step 3 Attach	4

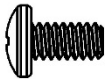
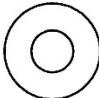

Before You Begin

- Read all instructions.
 - ENSURE SAFETY PRIOR TO DRILLING.
-

Parts

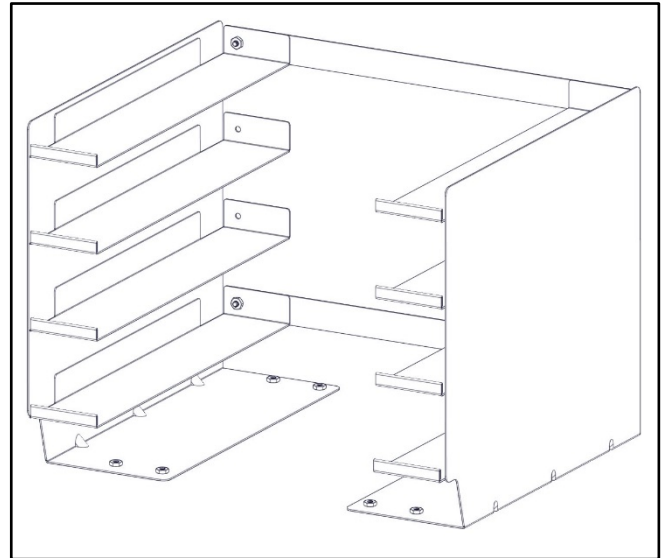
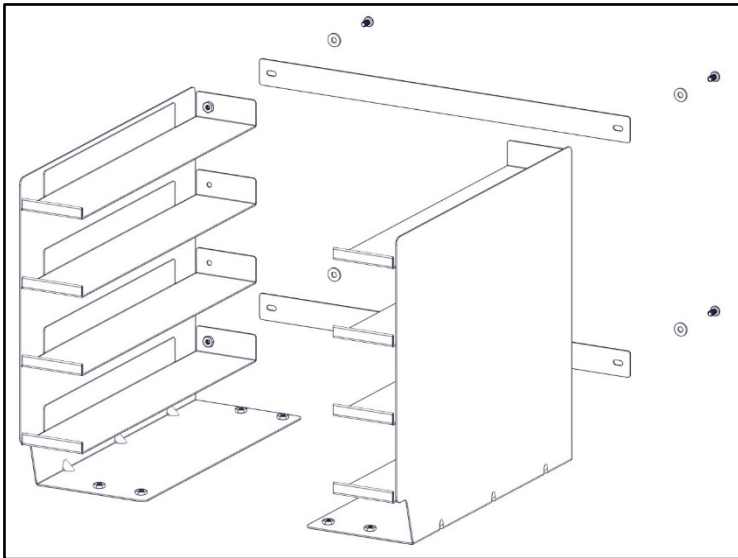
ITEM NO.		PART NUMBER	DESCRIPTION	QTY.
A		40380-10	Side Shelf ASM	1
B		Mirror40380-10	Mirror	1
C		40380-00-003	Back Support	2
D		KM40350	Bin Case	4
		18-40380	4-Tote Holder Hardware	1

Hardware

ITEM NO.	TO SCALE	PART NUMBER	BOM	QTY.
1		90272A829	#10-32 x 1/2" Pan Head Screw	8
2		90126A514	#10 Flat Washer	8
3		90631A411	No10-32 Nyloc	8

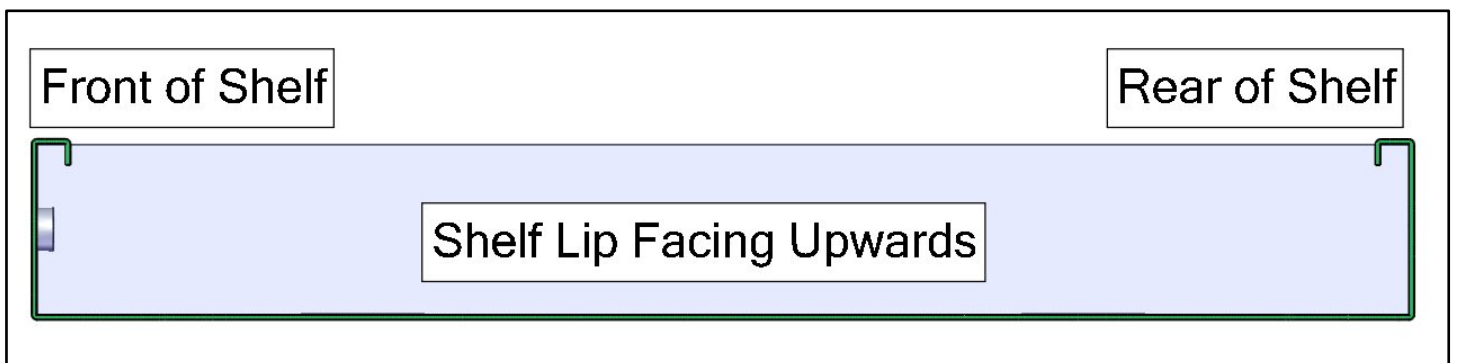
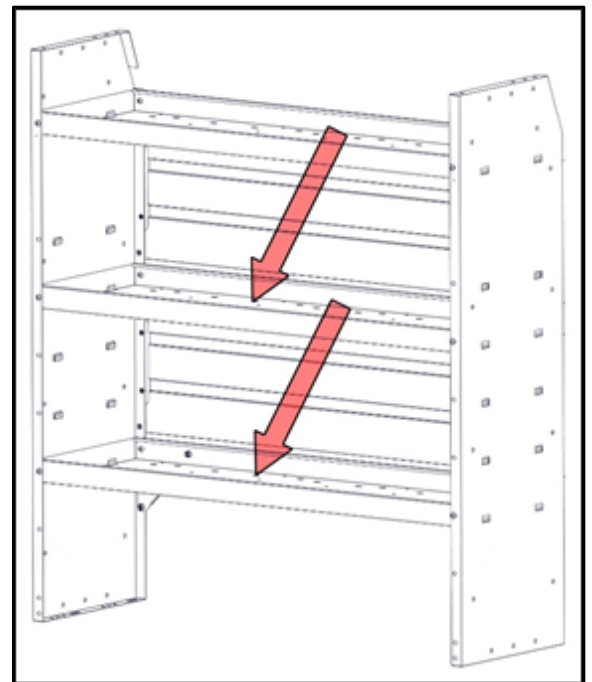
Step 1 – Assemble Tote Holder

- Bolt both side assemblies (A & B) to the back support (C) in the orientation shown using #10 x 1/2" pan heads (1), #10 flat washers (2) and #10 nyloc nuts (3).



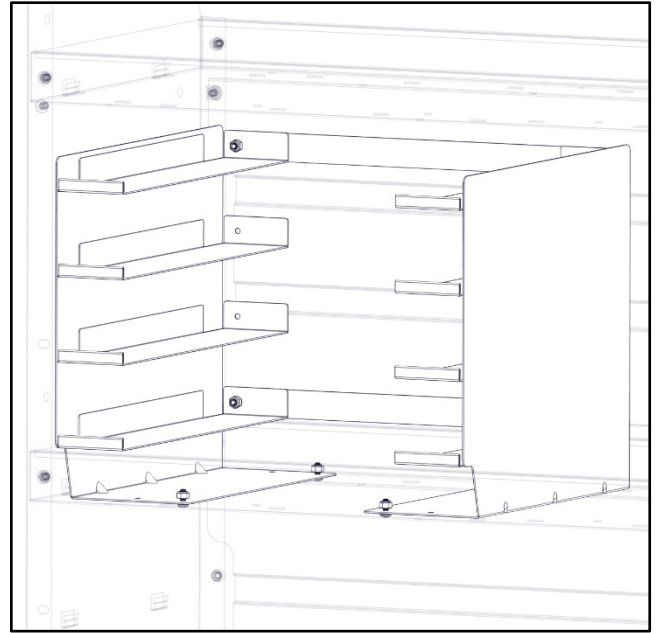
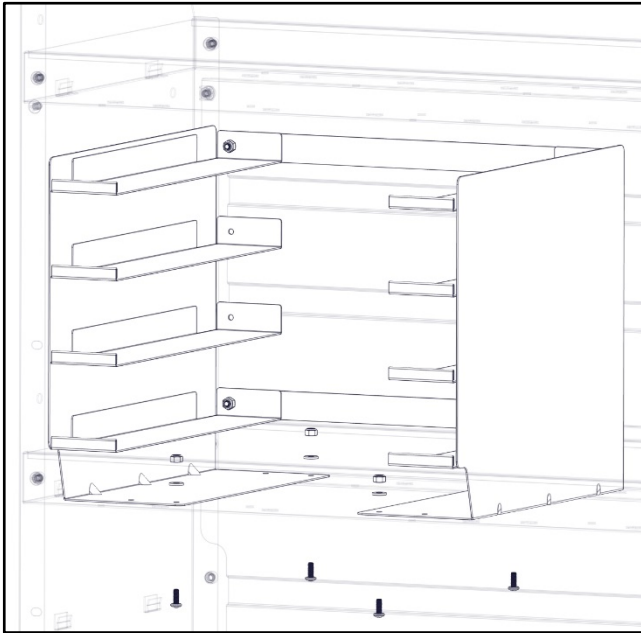
Step 2 – Find Location

- Find desired location for tote holder to be installed.
- Slots and holes can be found along the shelf of most KargoMaster shelf units. One can make use of these.
- If desired, place tote unit (A) in any desired location, mark holes and drill with 1/4" drill.
- Be sure the shelves are in the position shown. The shelf lip should facing upwards.

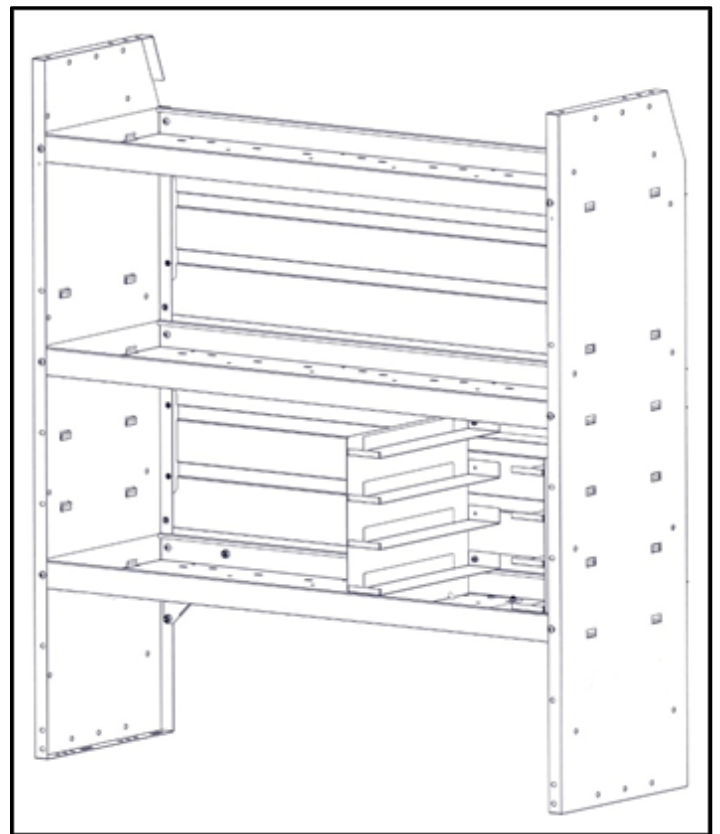
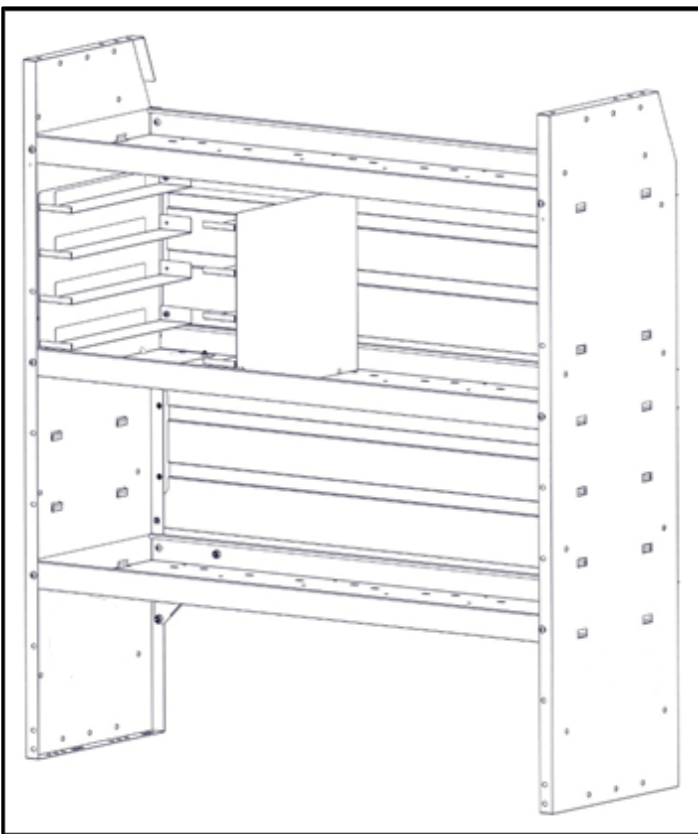


Step 3 – Attach

- Bolt tote holder to shelf using a #10 x 1/2" pan heads (1), #10 flat washers (2) and #10 nyloc nuts (3).



Tote holders may be installed in a variety of different locations. Some examples are shown below.



Ensure all bolts are tight. Your Installation is now complete.