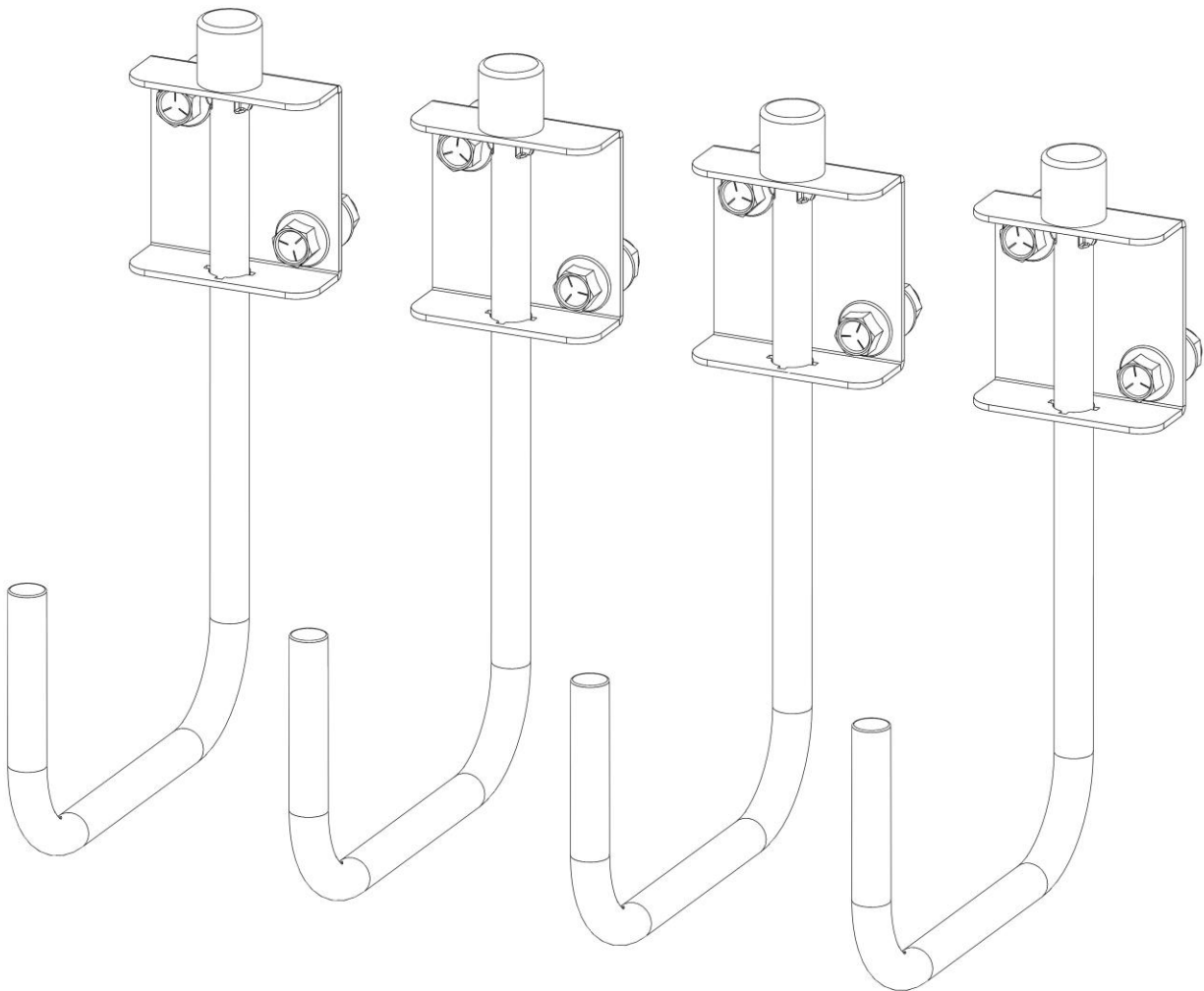


KARGO MASTER®

WE PUT EVERYTHING WITHIN REACH.

Instruction Guide

40053



Kargo Master
Rancho Cordova, CA 95742
800-343-7486
CustomerService@KargoMaster.com

PLEASE READ ALL INSTRUCTIONS AND WARNINGS PRIOR TO ASSEMBLING, INSTALLING, AND USING THIS PRODUCT.

Warning



Always check for wires, fuel tanks and lines, brake lines and other important vehicle functionality items prior to drilling and installing all products.

Tools Needed

3/8" Socket and Wrench	17/64" Drill Bit
Drill	

Table of Contents

Before You Begin 1

Parts List 1

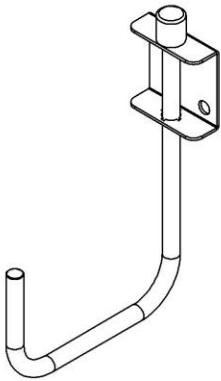
Hardware 2

Installation 2

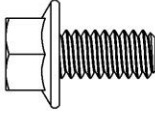

Before You Begin

- Read all instructions prior to installing any Kargo Master product.

Parts List


ITEM NO.	ITEM	PART NUMBER	DESCRIPTION	QTY
1		100717	LOCKING SWIVEL HOOK	4
2		18-40053	40053 HARDWARE KIT	1

Hardware

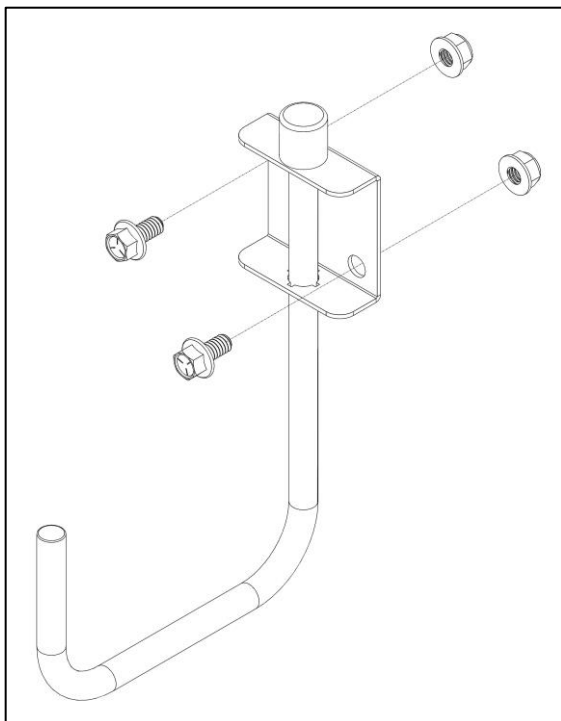
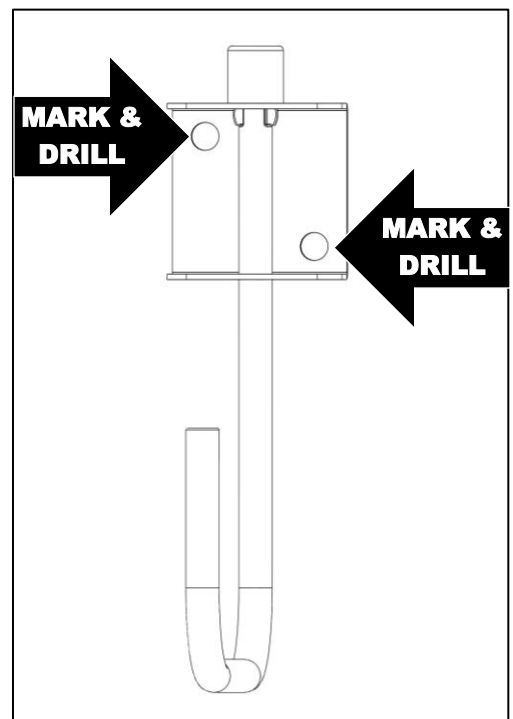
ITEM	HARDWARE TO SCALE	PART NUMBER	DESCRIPTION	QTY.
1		11126952	1/4"-20 X 1/2" FLANGED HEX HEAD	8
2		0167030	1/4"-20 FLANGED LOCK NUT	8

Installation

- Determine swivel hook installation location.
- Mark through the holes in hook base plate onto mounting surface.

 **Always check that each installation location is clear of wires, fuel tanks and lines, brake lines and other important vehicle functionality items prior to drilling and installing any product.**

- At each marked location, drill a hole using 17/64" drill bit.
- Using two 1/4" x 1/2" flanged hex head bolts and two 1/4" flanged lock nuts, securely install locking swivel hook.
- Repeat installation instructions for each hook.



**GO BACK AND ENSURE ALL
HARDWARE IS TIGHTENED.**

INSTALLATION IS COMPLETE.