



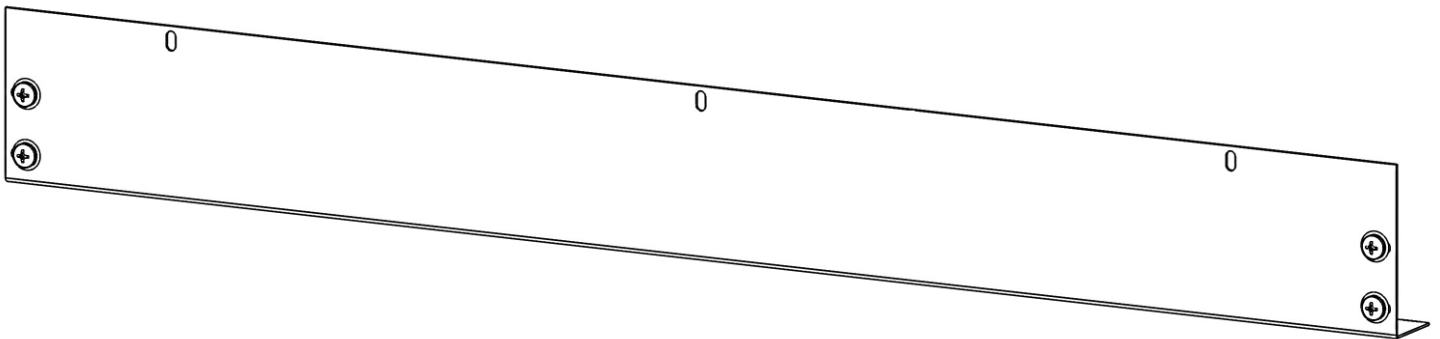
**WE PUT EVERYTHING WITHIN REACH.**

---

# Instruction Guide

## 48215

---



---

Kargo Master  
Rancho Cordova, CA 95742  
800-343-7486  
CustomerService@KargoMaster.com

**\* PLEASE READ ALL INSTRUCTIONS AND WARNINGS PRIOR TO ASSEMBLING, INSTALLING, AND USING THIS PRODUCT. \***

**Warning**



**Always check for wires, fuel tanks and lines, brake lines and other important vehicle functionality items prior to drilling and installing all products.**

**Tools Needed**

7/16" Socket and Wrench	#2 Phillips Screwdriver
-------------------------	-------------------------

**Table of Contents**

Before You Begin..... 1

Parts List..... 1

Hardware ..... 2

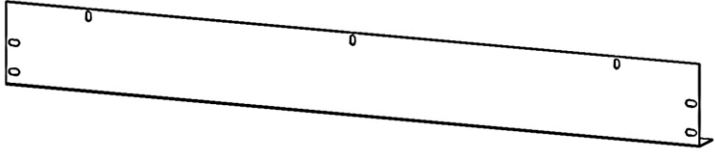
Step 1 – Install Shelf Lip to Shelf..... 2

Step 2 – Install Door Kit (Optional) ..... 3

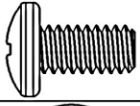
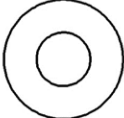

**Before You Begin**

- Read all instructions prior to assembling or installing any Kargo Master product.
- **Prepare shelf for installation prior to performing any work.**
- **ENSURE SAFETY WHILE INSTALLING OR DRILLING INTO VEHICLE.**

**Parts List**

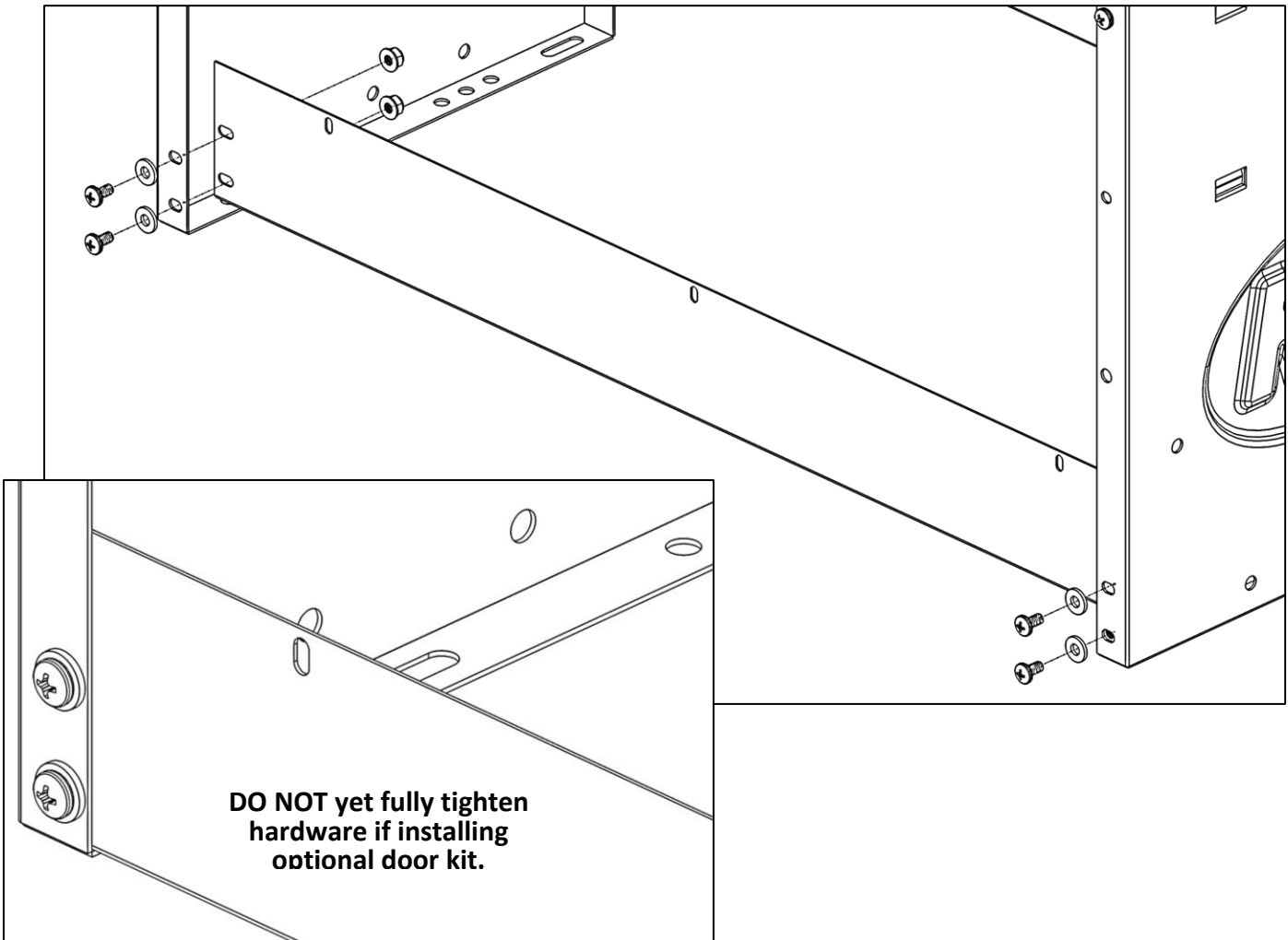
NO.	ITEM	PART NUMBER	DESCRIPTION	QTY.
1		48215-00-001	SHELF FRONT LIP	1
2		18-48220	HARDWARE KIT	1

**Hardware**

ITEM	HARDWARE TO SCALE	PART NUMBER	DESCRIPTION	QTY.
1		72586	1/4"-20 X 1/2" PHILLIPS PAN HEAD SCREW	4
2		33078	1/4" WASHER	4
3		0167030	1/4"-20 FLANGED LOCK NUT	4

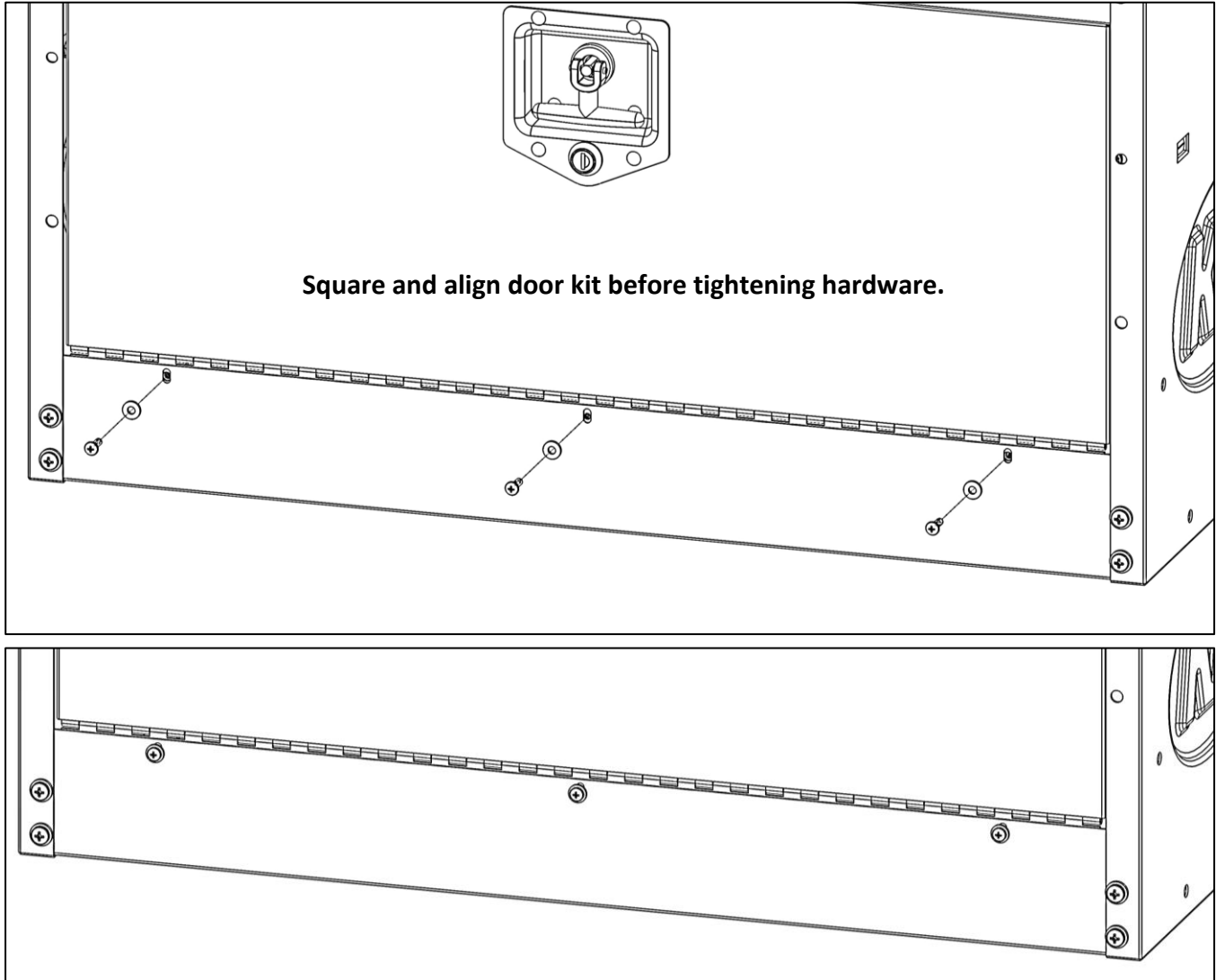
**Step 1 – Install Shelf Lip to Shelf**

- Place shelf lip in orientation shown with the small flange parallel to the floor and large flange against inside of front shelf flanges.
- Using four 1/4" x 1/2" pan head screws, 1/4" washers, and 1/4" flanged lock nuts, attach shelf lip to shelf.
- Snug tighten but allow movement.



## **Step 2 – Install Door Kit (Optional)**

- Follow instructions provided with door kit to install door kit to shelf and shelf lip.
- Use #10 hardware provided with door kit to install.
- Square and align door kit before tightening hardware.



**GO BACK AND TIGHTEN ALL HARDWARE.**

**INSTALLATION AND ASSEMBLY ARE COMPLETE.**