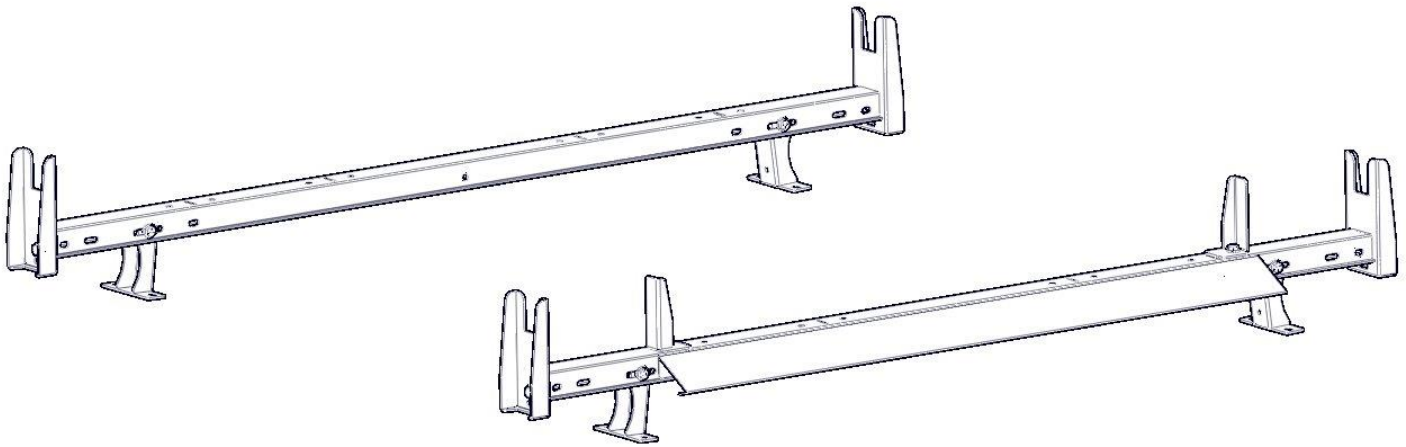




WE PUT EVERYTHING WITHIN REACH.

Instruction Guide

40821



Kargo Master
Rancho Cordova, CA 95742
800-343-7486
CustomerService@KargoMaster.com

PLEASE READ ALL INSTRUCTIONS AND WARNINGS PRIOR TO ASSEMBLING, INSTALLING, AND USING THIS PRODUCT

Warning



Always check for wires, fuel tanks and lines, brake lines and other important vehicle functionality items prior to drilling and installing all products.

Tools Needed

13mm Socket and Wrench	10mm Socket and Wrench
9/16" Socket and Wrench	7/16" Socket and Wrench

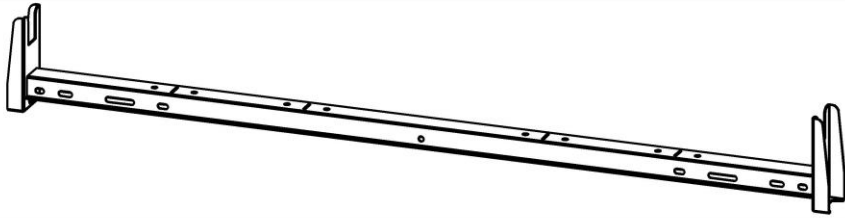
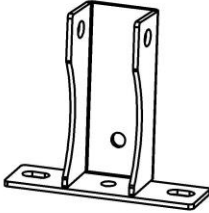
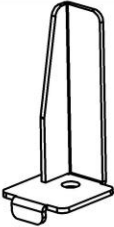
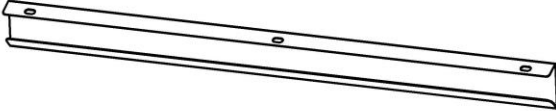
Table of Contents

Parts List	2
Assembly Hardware (18-40821-A)	3
Step 1 – Assemble Ladder Hooks	3
Step 2 – Assemble Wind Deflector	4
Step 3 – Location of Foot Mounts	5
Installation Instructions	
Mount Hardware (18-40821-M)	6
Transit Connect	8
Transit	9
ProMaster City	10
NV200/Chevy City Express	11
Metris	12
NV	13

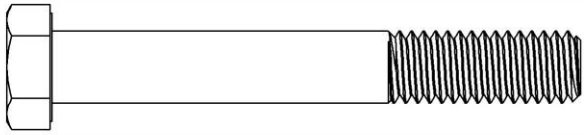
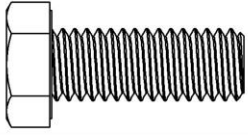
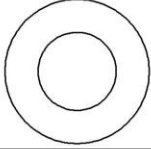


Before You Begin

- Read all instructions.
- Be sure to put sealant around all threads entering cargo area and between the rubber spacer and roof of vehicle to prevent water from leaking into cargo area.
- Ensure ALL hardware is tight at the conclusion of the instructions.

Parts

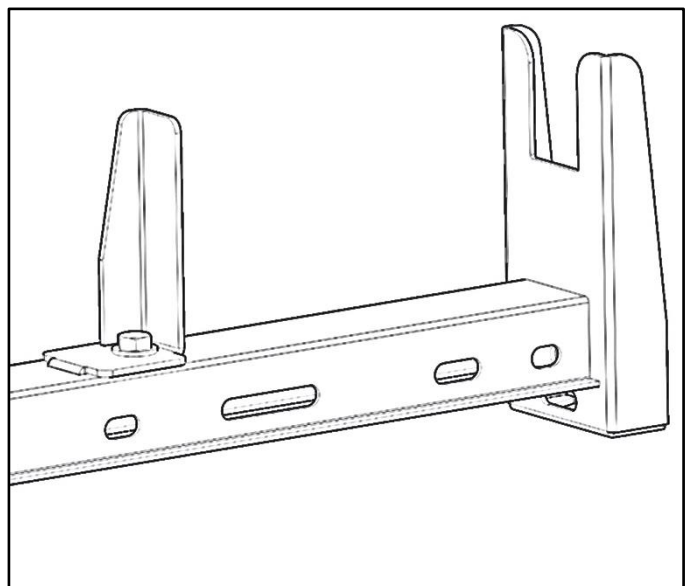
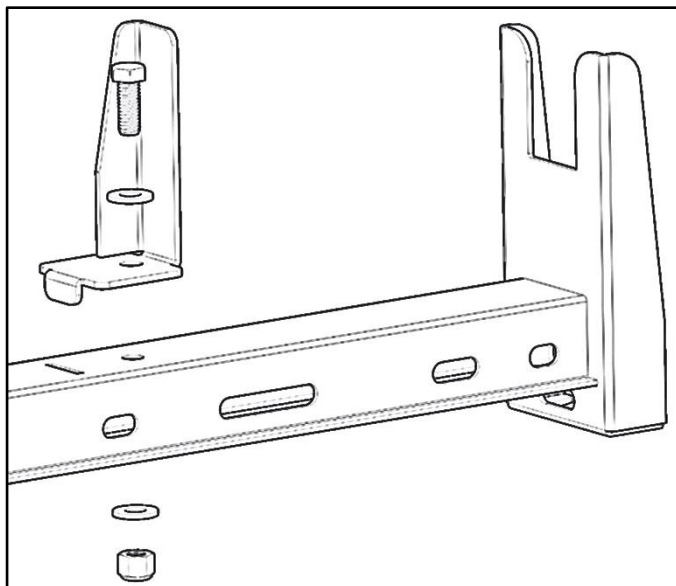
NO.		PART NUMBER	DESCRIPTION	QTY.
A		40821-10	Crossbar Assembly	2
B		40821-10-001	Crossbar Rack Foot	4
C		40821-10-006	Ladder Hook	2
D		40821-10-009	Wind Deflector	1
		18-40821-A	Assembly Hardware	1
		18-40821-M	Mount Hardware	1

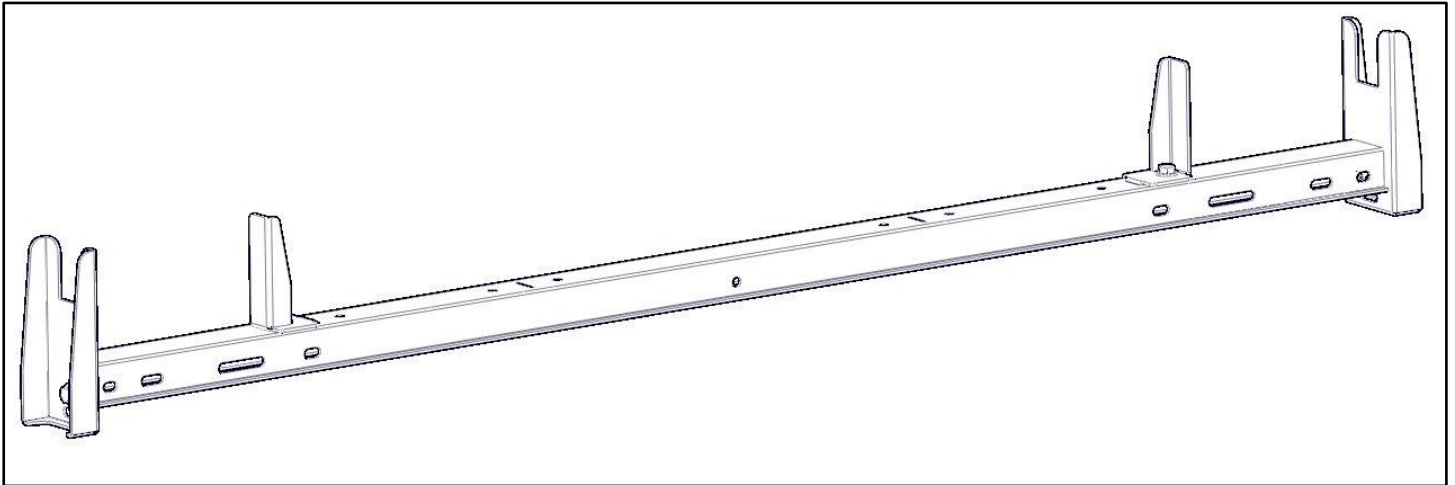
Assembly Hardware (18-40821-A)

ITEM	HARDWARE TO SCALE	PART NUMBER	DESCRIPTION	QTY.
1		70114	3/8-16 X 2-3/4" HEX HEAD BOLT	4
2		70105	3/8-16 X 1" HEX HEAD BOLT	9
3		0159723	3/8" WASHER	26
4		0169791	3/8"-16 LOCK NUT	13
5		40821-10-005	FOOT BUSHING	4

Step 1 – Assemble Ladder Hooks

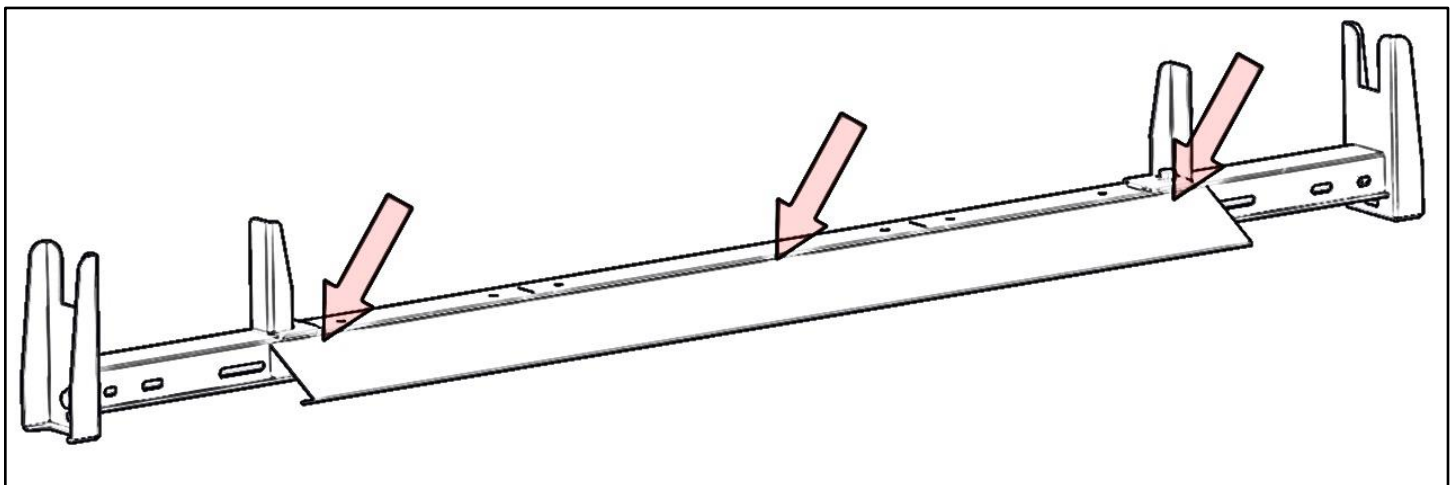
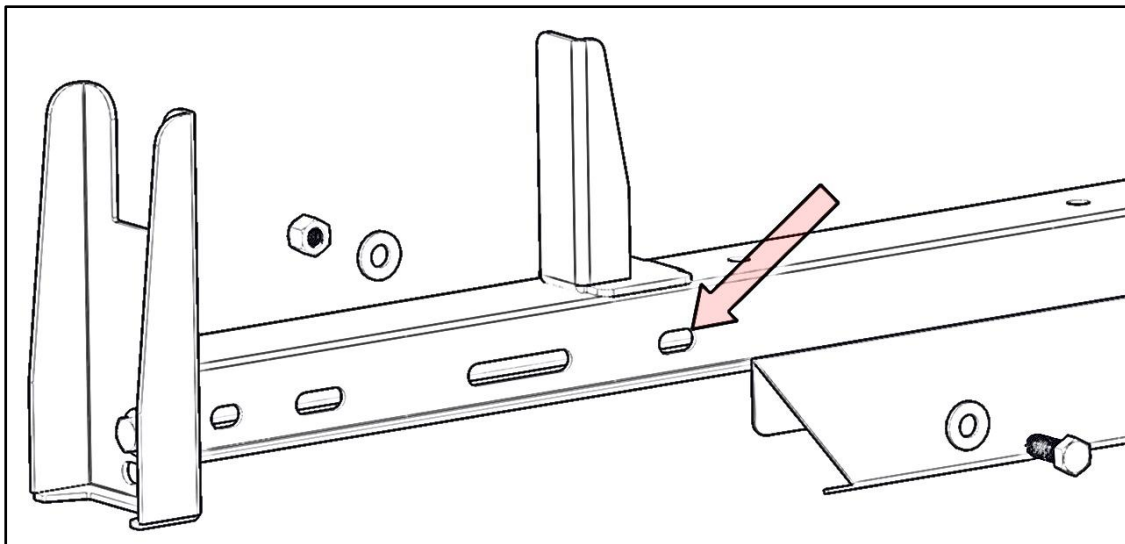
- On one cross member (A), bolt two ladder hooks (C) to the top of cross member using one 3/8" x 1 hex head, two 3/8" flat washers, and one 3/8" lock nut.
- The tab on the ladder hook will line up with the slot in the crossmember.
- Typically, this cross member goes to the front of the vehicle.
- TIGHTEN.





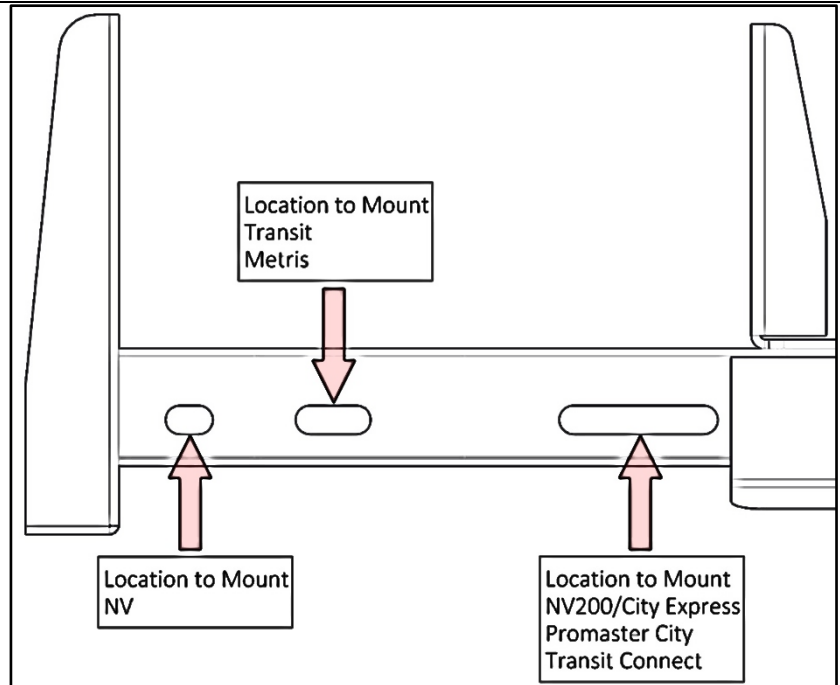
Step 2 – Assemble Wind Deflector

- Bolt wind deflector (D) to the front of the cross member (A) through the slot as shown below.
 - **Typically this is attached to the same cross member with the ladder hooks****
- Use a 3/8" x 1" hex head bolt, a 3/8" flat washer, and a 3/8" lock nut in the order shown.
- Repeat in other two locations as shown.
- Square and TIGHTEN.

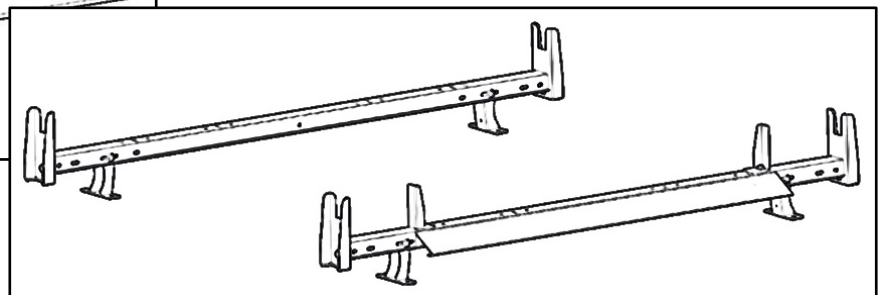
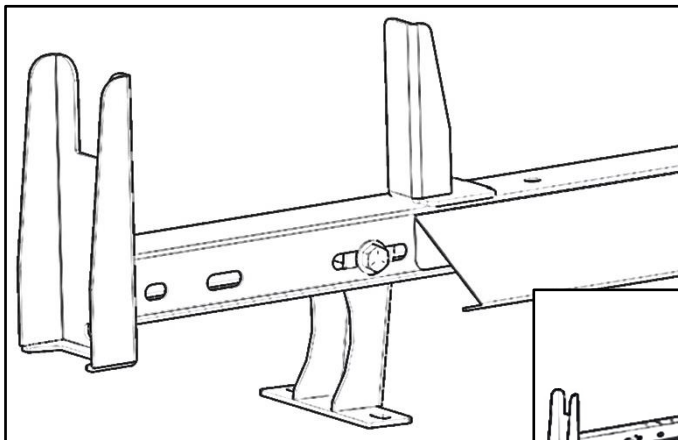
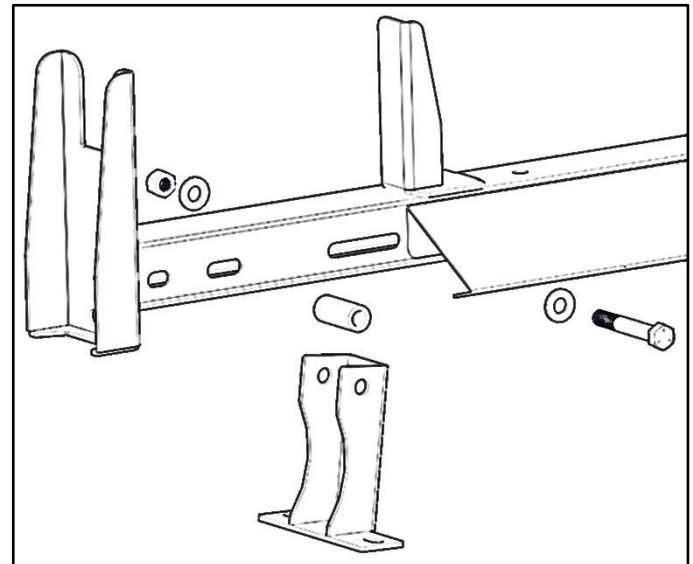


Step 3 – Assembly of Foot

- Depending on your vehicle, the foot will mount in different slots.



- Use a 3/8" x 2-3/4" hex head bolt, two 3/8" flat washers, and a 3/8" lock nut to bolt foot (B) to cross member (A). Be sure to insert the nylon spacer inside foot.
- Have the cup in the foot facing outward as shown.
- Repeat on both sides and both cross members.
- Do NOT tighten.

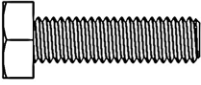
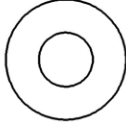

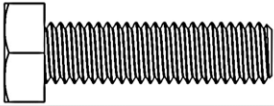
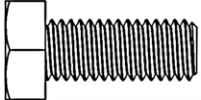
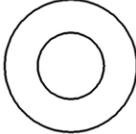
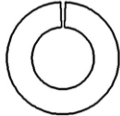

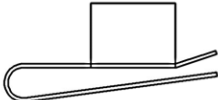
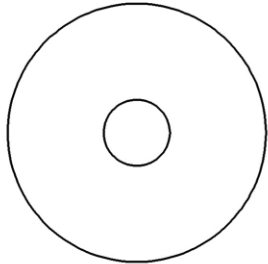


For installation, follow your vehicles instructions below.

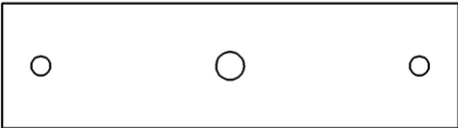
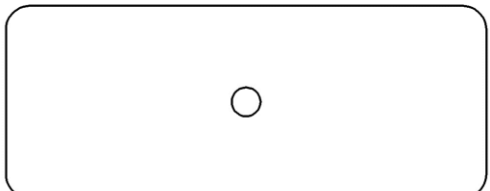
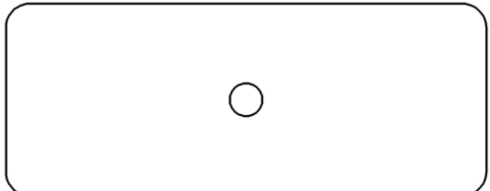
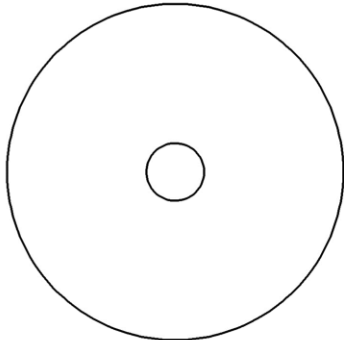

Installation Instructions

- Find vehicle below, follow instructions from there.

Installation Hardware (To Scale) (18-40821M)

ITEM	HARDWARE TO SCALE	PART NUMBER	DESCRIPTION	QTY.
1		38560	M6 X 1.0 X 22MM HEX HEAD BOLT	8
2		33078	1/4" FLAT WASHER	8
3		33618	1/4" LOCK WASHER	8
4		11552488	M8-1.25 X 30MM HEX HEAD BOLT	4
5		11552486	M8-1.25 X 20MM HEX HEAD BOLT	8
6		11545144	5/16" FLAT WASHER	8
7		1171067	5/16" LOCKING WASHER	8
8		11511017	M8-1.25 NYLON NUT	4
9		0162867	M8 U- NUT	8
10		33216	5/16" FENDER WASHER	4

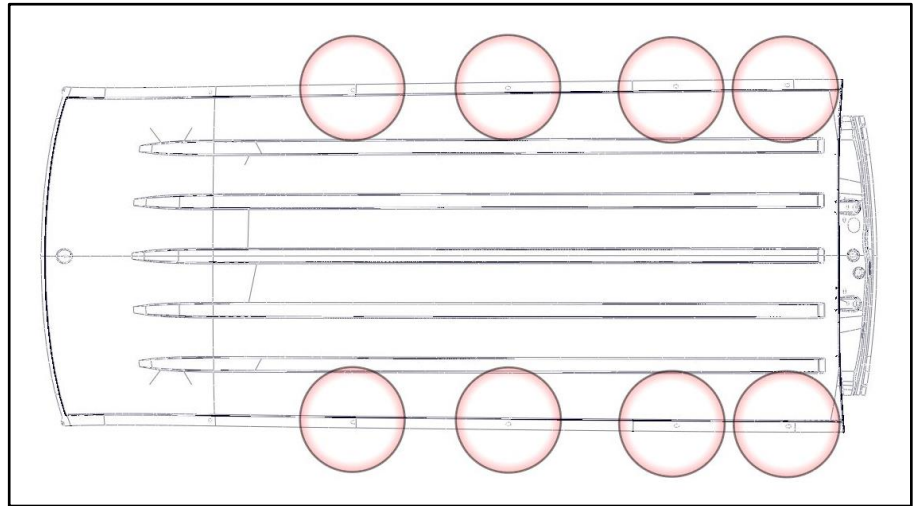
Installation Hardware (con't)

ITEM	HARDWARE TO SCALE	PART NUMBER	DESCRIPTION	QTY.
11		40821-10-004	3 HOLE RUBBER PAD	4
12		T249-02	RUBBER	4
13		T250-01	TRANSIT ROOF PLATE	4
14		-	1/8" X 5/16" X 1-3/4" RUBBER WASHER	4
15		-	SELF-LEVELING ADHESIVE SEALANT	1

Transit Connect

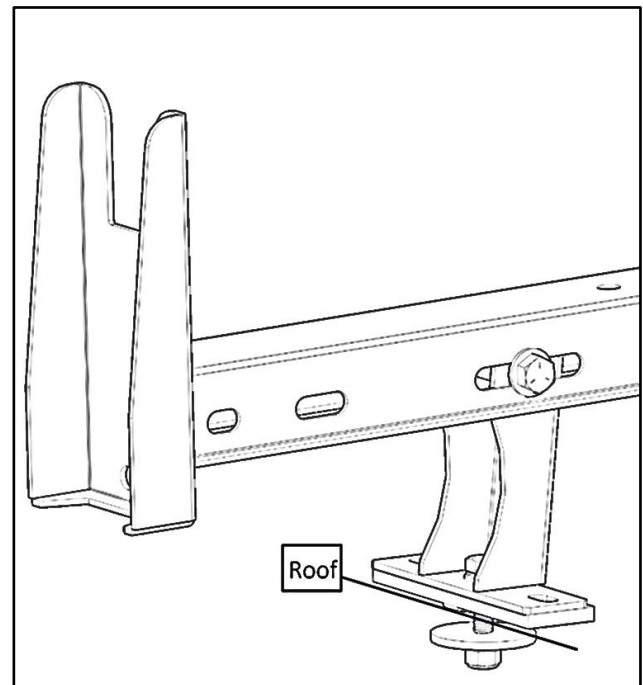
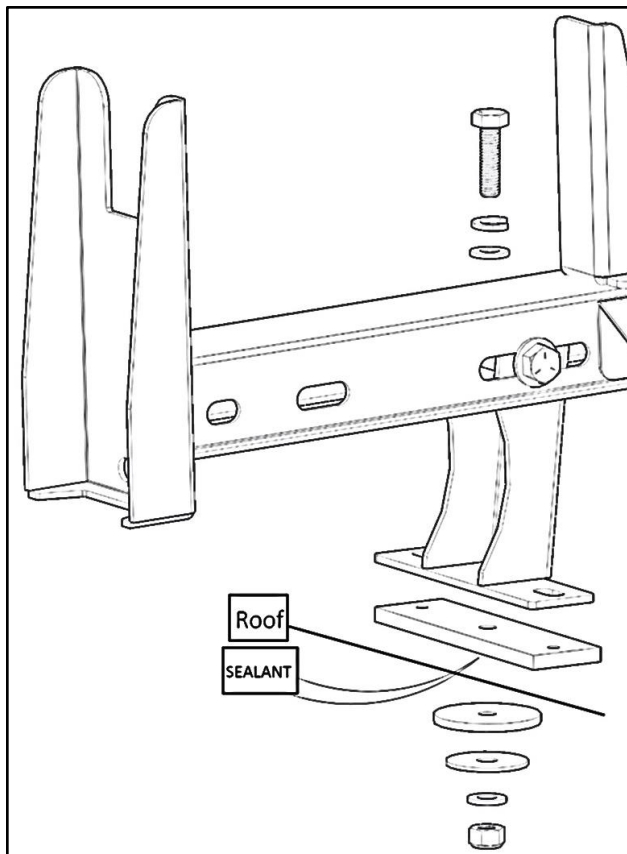
Step 1

- Locate 4 mounting locations in roof for the crossbars to be installed.
- Remove plugs from desired mounting locations in roof.



Step 2

- Bolt through the mount foot (B) into the exposed holes in roof using one M8 x 30mm hex head, one 5/16" flat washer, a rubber spacer, a rubber washer, one 5/16" fender washer, another 5/16" flat washer, and one M8 lock nut, in that order, as shown.
- Be sure to put rubber spacer in between mount foot and roof of van as shown below.
- The roof goes in between rubber spacer and rubber washer.
- Place sealant between rubber spacer and roof of van and around threads to ensure no water leaks into van.



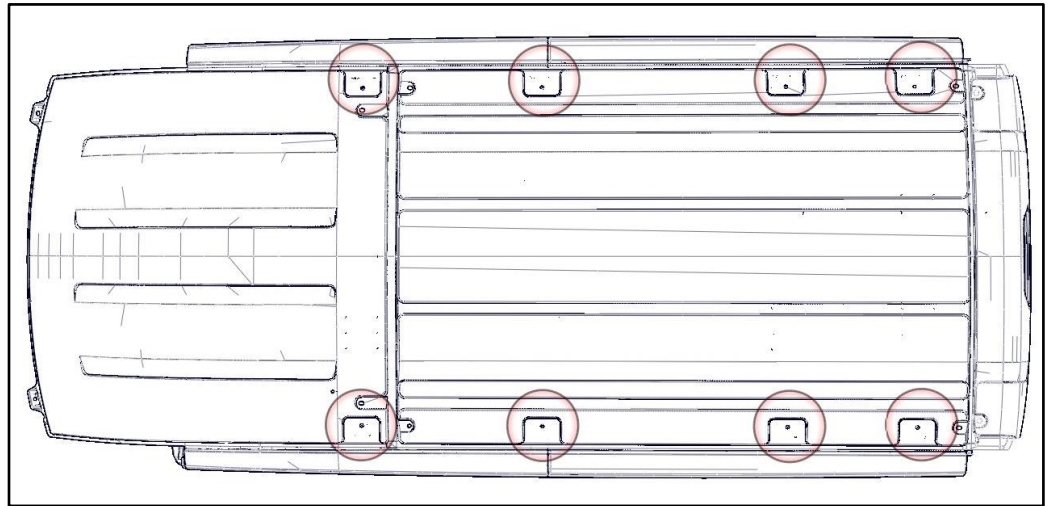
Step 3

- Go back and tighten all hardware including hardware on the rack itself.

Transit

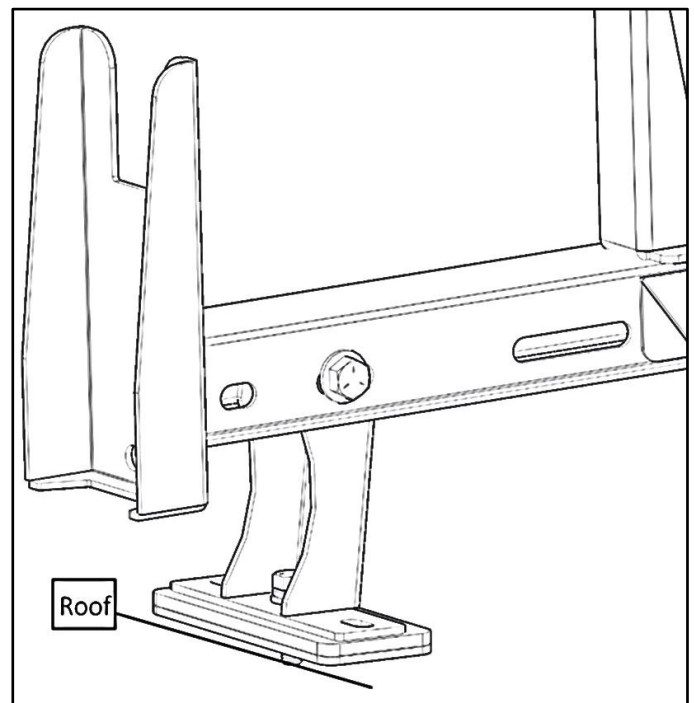
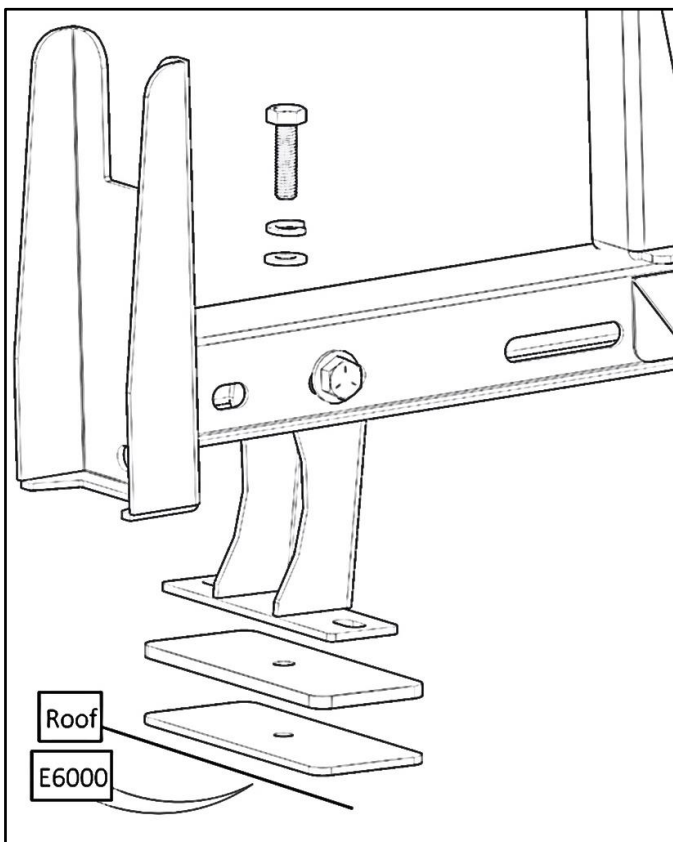
Step 1

- Locate 4 mounting locations on roof for the crossbars to be installed.
- Remove plugs from desired mounting locations in roof.



Step 2

- Bolt through the mount foot (B) into the exposed holes in roof using one M8 x 30mm hex head, one 5/16" lock washer, one 5/16" flat washer, a metal plate, and a rubber pad, in the order shown.
- Be sure to put rubber pad and metal plate in between mount foot (B) and roof of van as shown below. The rubber pad goes on the roof.
- Place sealant between rubber pad and roof of van and around threads to ensure no water leaks into van.



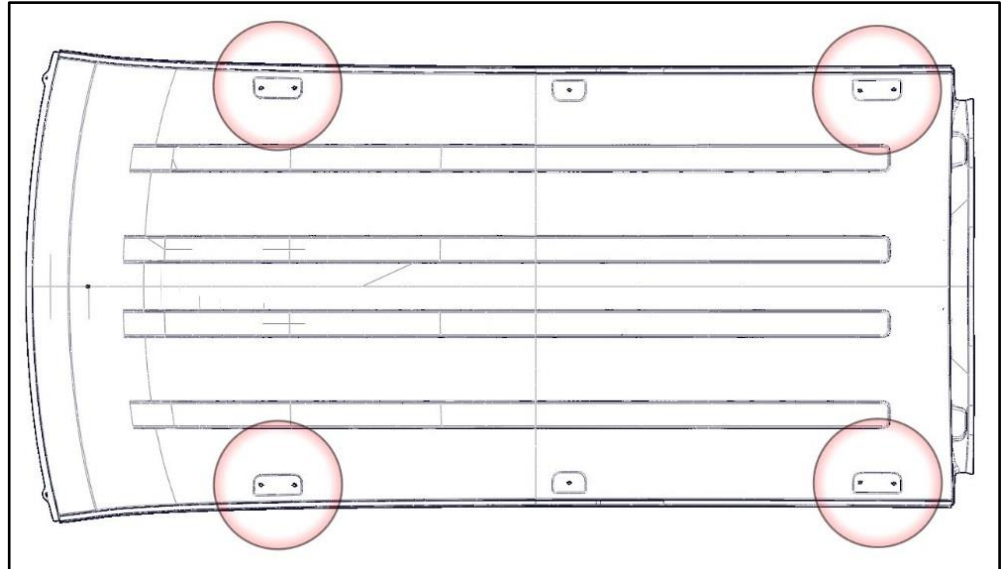
Step 3

- Go back and tighten all hardware including hardware on the rack itself.

Promaster City

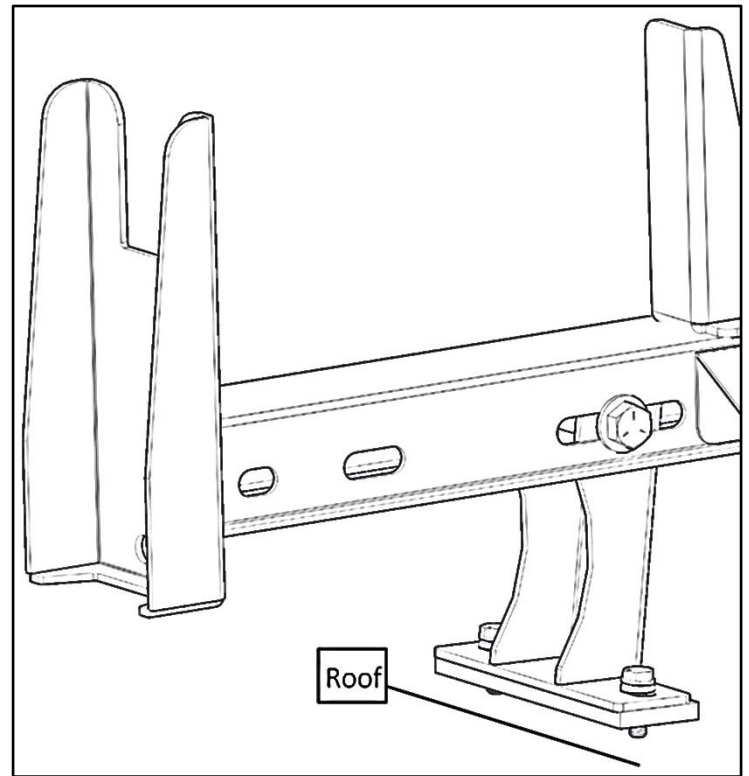
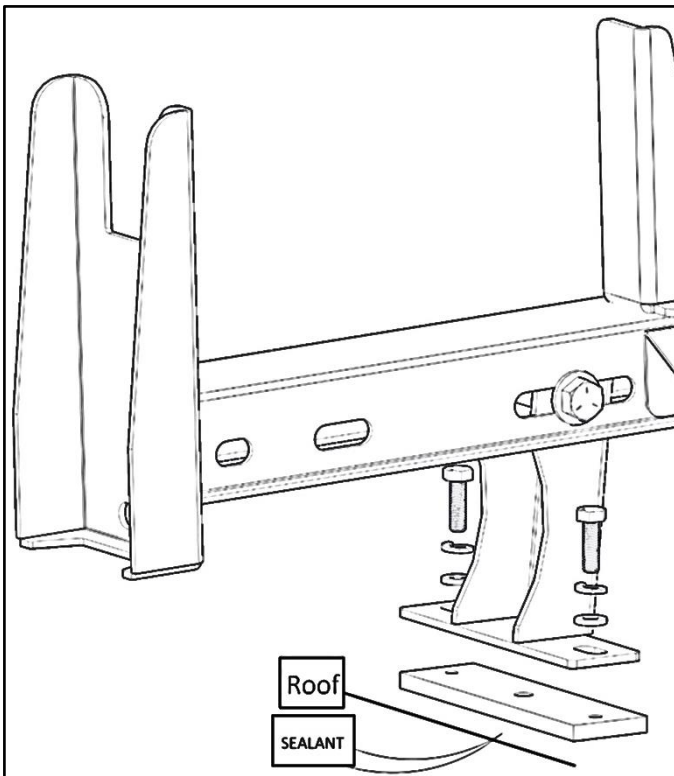
Step 1

- Locate 4 mounting locations on roof for the crossbars to be installed.
- Remove plugs from desired mounting location in roof.



Step 2

- Bolt through the mount foot (B) into the exposed holes in roof using one M6 x 22mm hex head, one 1/4" lock washer, one 1/4" flat washer, and a rubber spacer, in that order, as shown.
- Be sure to put rubber spacer in between mount foot (B) and roof of van as shown below.
- Place sealant between rubber spacer and roof of van and around threads to ensure no water leaks into van.



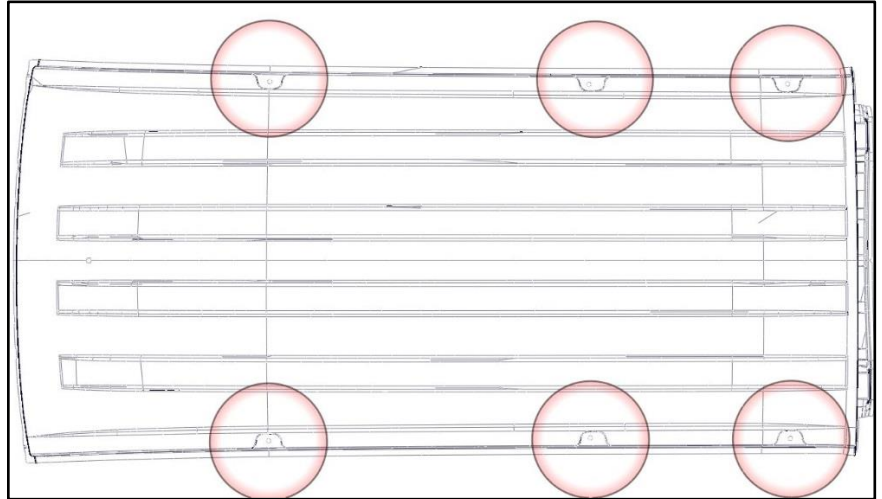
Step 3

- Go back and tighten all hardware including hardware on the rack itself.

NV200/Chevy City Express

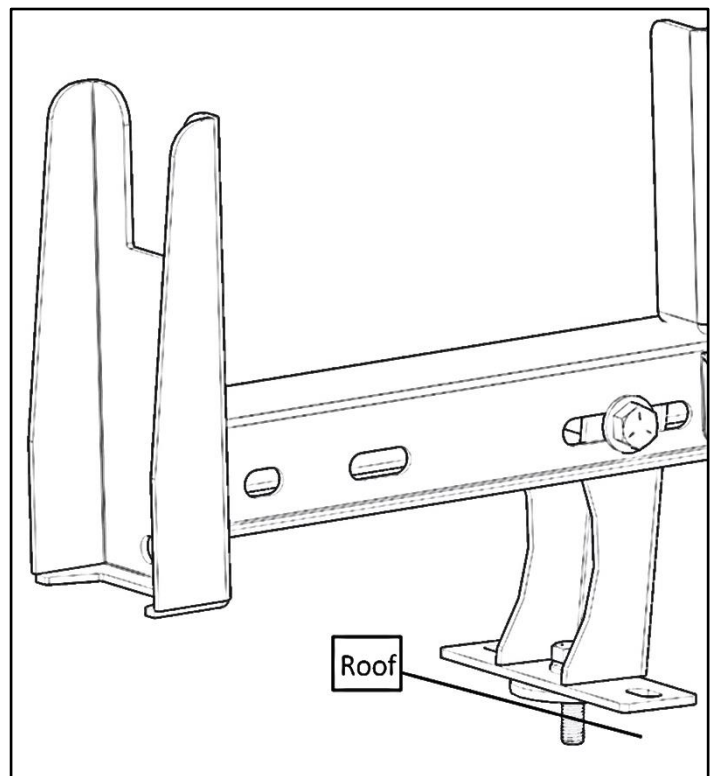
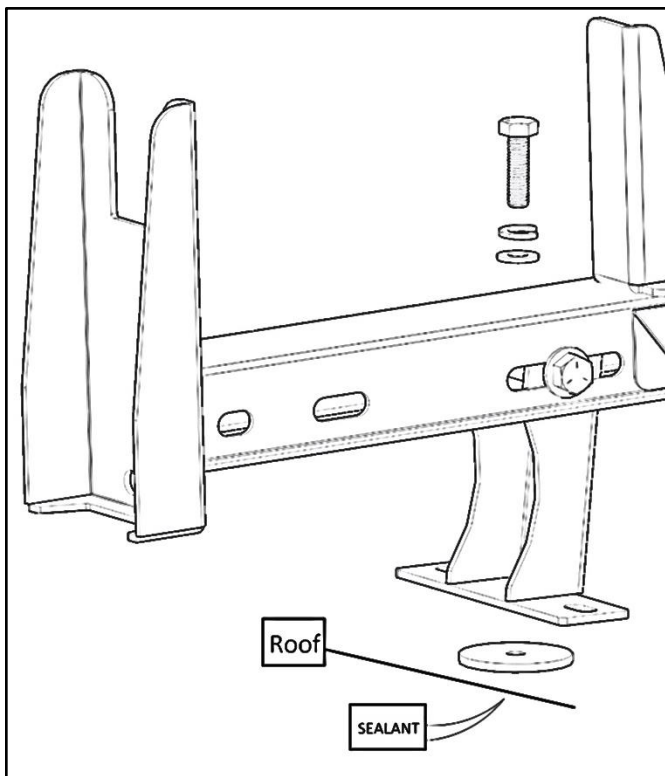
Step 1

- Locate 4 mounting locations on roof for the crossbars to be installed.
- Remove plugs from desired mounting location in roof.



Step 2

- Bolt through the mount foot (B) into the exposed holes in roof using one M8 x 30mm hex head, one 5/16" lock washer, one 5/16" flat washer, and a rubber washer, in that order, as shown.
- Be sure to put rubber washer in between mount foot (B) and roof of van as shown below.
- Place sealant between rubber spacer and roof of van and around threads to ensure no water leaks into van.



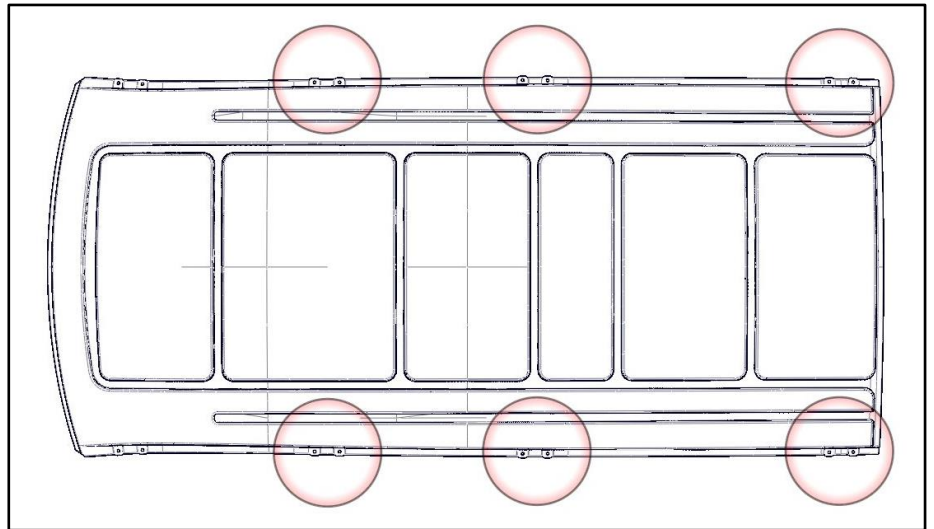
Step 3

- Go back and tighten all hardware including hardware on the rack itself.

Metris

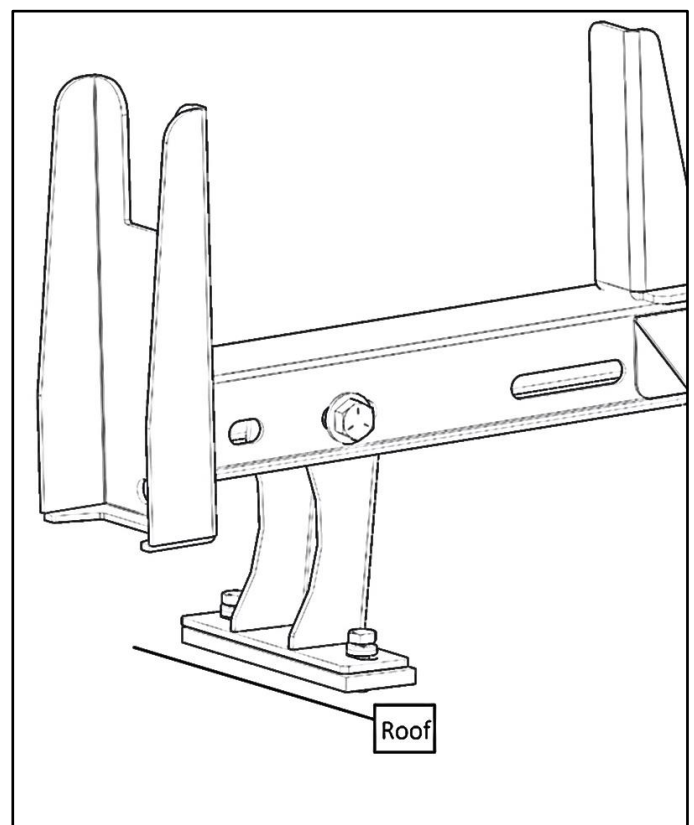
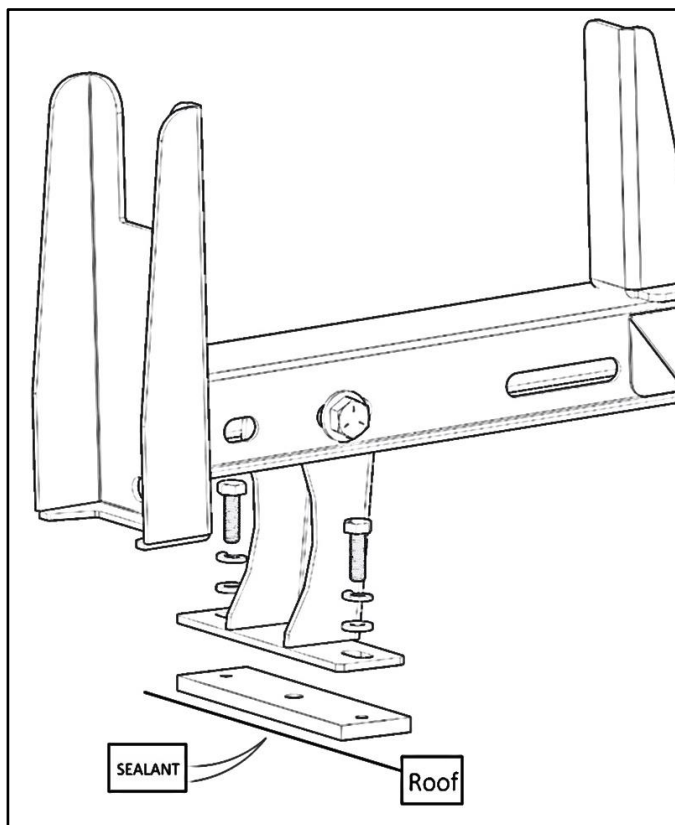
Step 1

- Locate 4 mounting locations on roof for the crossbars to be installed.
- Remove plugs from desired mounting location in roof.



Step 2

- Bolt through the mount foot (B) into the exposed holes in roof using one M6 x 22mm hex head, one 1/4" lock washer, one 1/4" flat washer, and a rubber spacer, in that order, as shown.
- Be sure to put rubber spacer in between mount foot (B) and roof of van as shown below.
- Place sealant between rubber spacer and roof of van and around threads to ensure no water leaks into van.



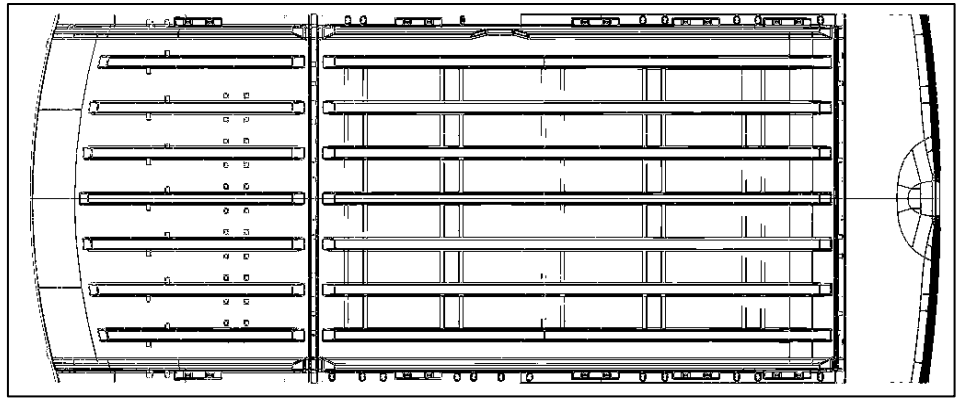
Step 3

- Go back and tighten all hardware including hardware on the rack itself.

NV

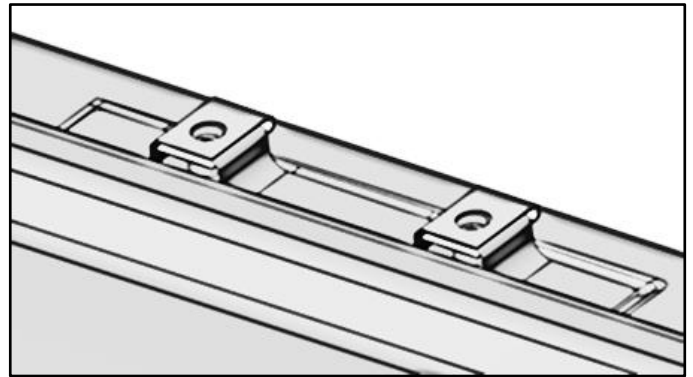
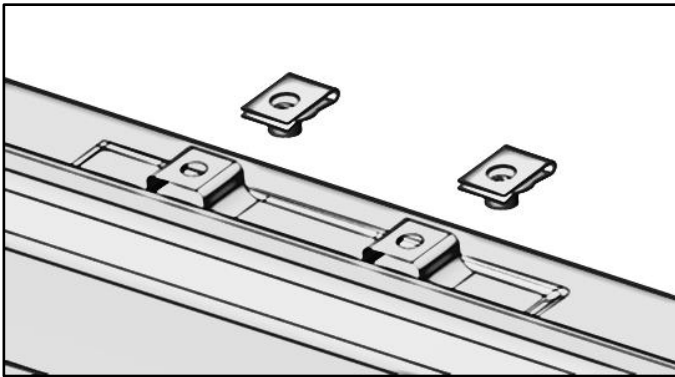
Step 1

- Locate 4 mounting locations on roof for the crossbars to be installed.



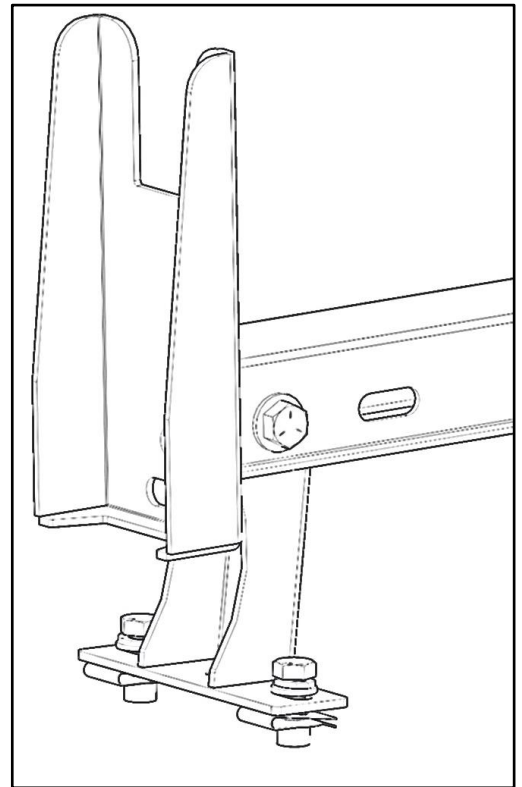
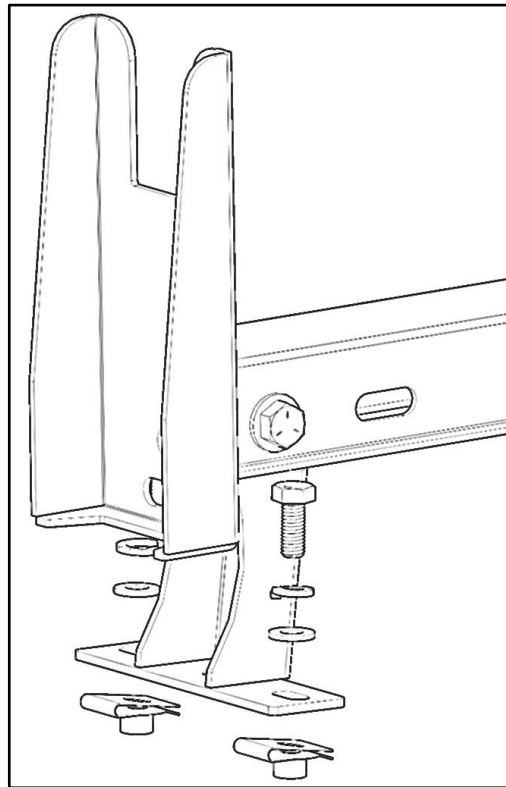
Step 2

- Install M8 U-nuts as shown.



Step 3

- Bolt through the mount foot (B) into the previously installed M8 U-nut using M8 x 22mm hex head, 5/16" lock washer, and 5/16" flat washer.



Step 4

- Go back and tighten all hardware including hardware on the rack itself.