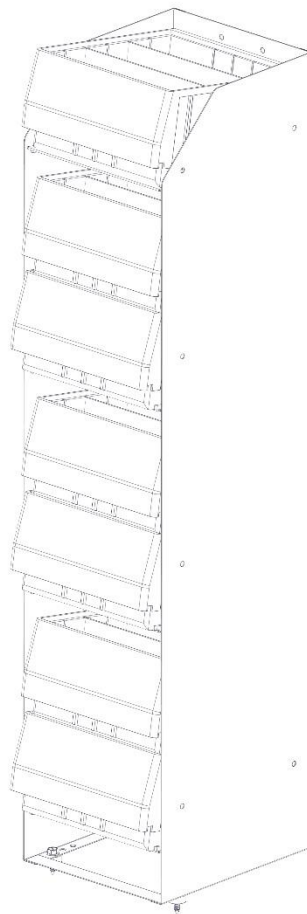




WE PUT EVERYTHING WITHIN REACH.

Installation Guide

40290



Kargo Master
Rancho Cordova, CA 95742
800-343-7486
CustomerService@KargoMaster.com

DATE: _____

***PLEASE READ ALL INSTRUCTIONS AND WARNINGS PRIOR TO ASSEMBLING,
INSTALLING, AND USING THIS PRODUCT***

Warning



Always check for wires, fuel tanks and lines, brake lines and other important vehicle functionality items prior to drilling and installing all products.

Tools Needed

7/16" Socket and Wrench	1/2" Socket and Wrench
Phillips Driver	.25" Drill

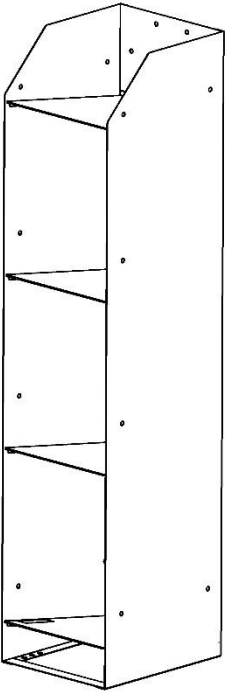
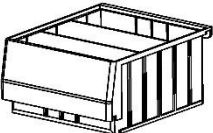
Table of Contents

Parts List 2
Hardware List 3
Step 1 – Find Mount Location 4
Step 2 – Mount to Floor 4
Step 3 – Mount to Shelf 4
Step 4 – Place bins 5

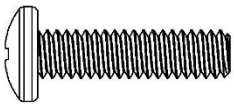
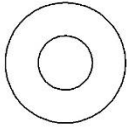

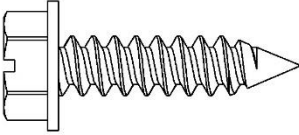
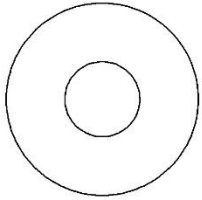
Before You Begin

- Read all instructions.
 - Ensure safety when drilling.
-

Parts

ITEM NO.		PART NUMBER	DESCRIPTION	QTY.
A		40280-10	Bin Holder Assembly	1
B		40310	10"W Bin	7
		18-40280	Hardware Kit	1

Hardware

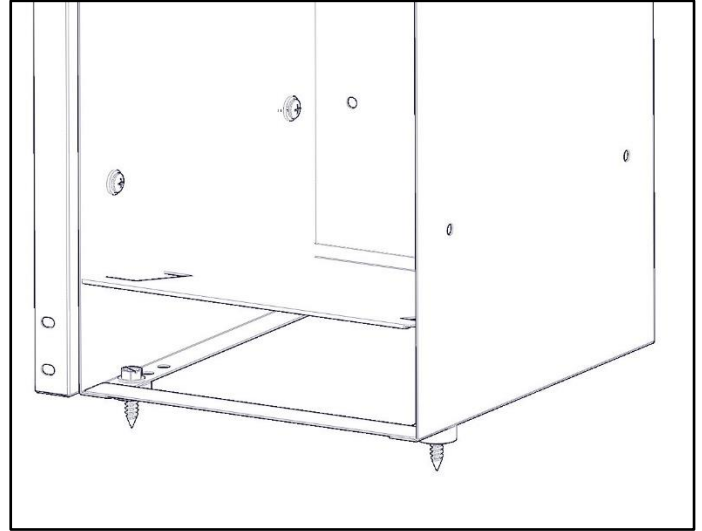
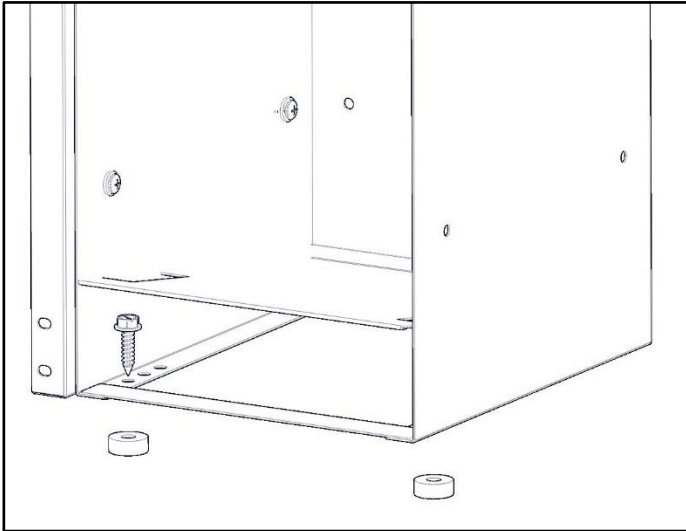
ITEM NO.	TO SCALE	DESCRIPTION	PART NUMBER	QTY.
1		.25-20 x 1.0 Phillips Head	90272A542	4
2		.25 Flat Washer	90126A029	8
3		.25-20 Nyloc Nut	.25-20 Nyloc Nut	4
4		.312-20 x 1.25 HH Sheet Metal Screw (Sharp Point)	90054A415	2
5		.375 x 1.0 Nylon Spacer	.375 x 1.0 Nylon Spacer	2

Step 1 – Find Mount Location

- Determine location of where the standing binder holder will be placed.
- Typically these are placed next to a shelf.

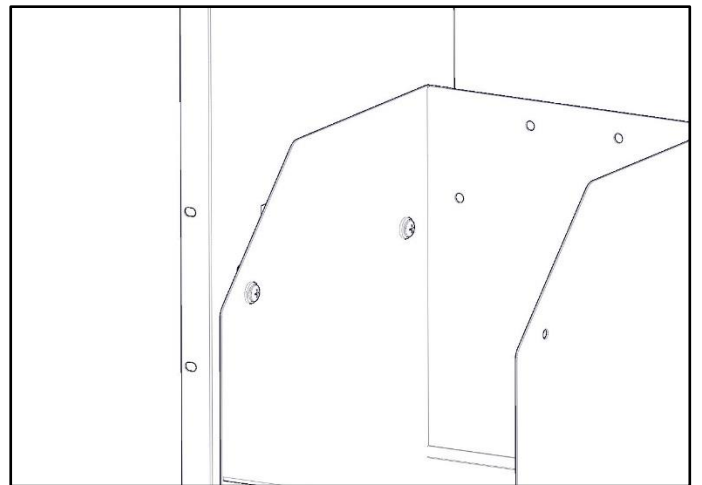
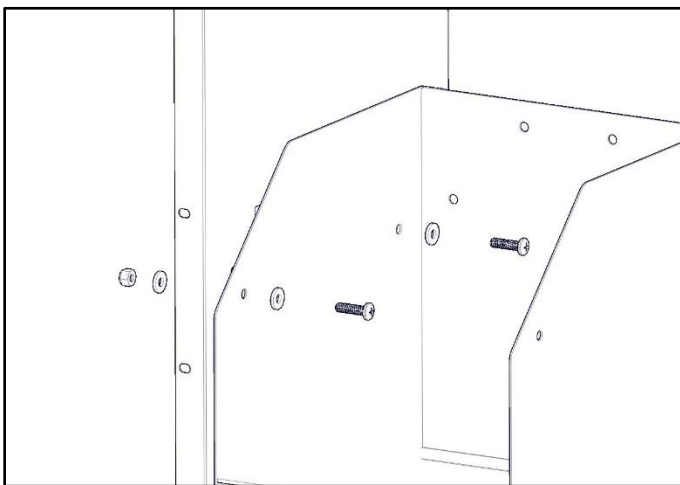
Step 2 – Mount to Floor

- Press the assembly firmly against the floor.
- Mount through the base of the assembly into the floor of the van using a self drilling screw (4). Place a spacer (5) under assembly if needed to give a flat, rigid mounting surface.
- Ensure safety prior to mounting into floor.



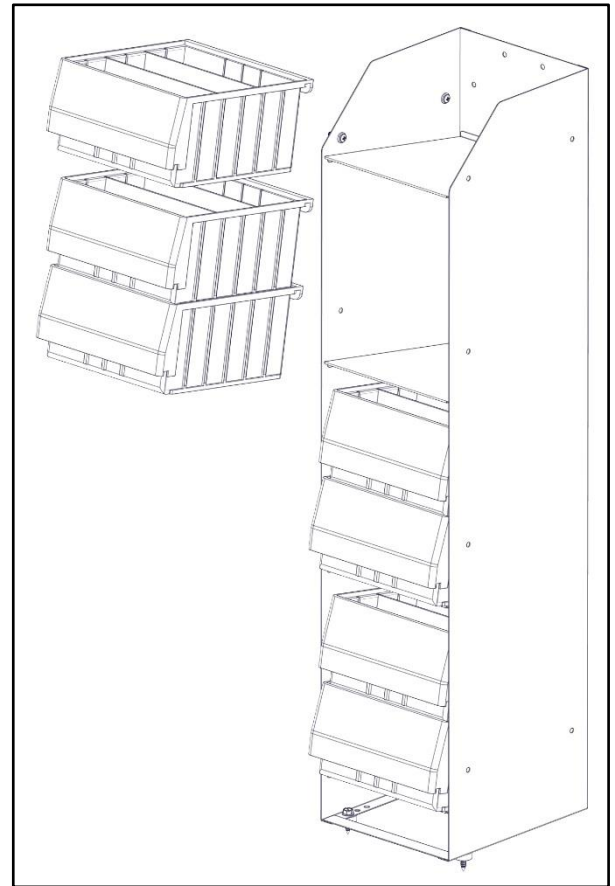
Step 3 – Mount to Shelf

- Use the assembly as a template. Press firmly against the shelf. Drill through the assembly into the side of the shelf.
- Mount assembly (A) the side of a shelf using a .25" x 1.0" HH bolt, two .25" flat washers and a .25" nyloc.



Step 4 – Place Bins

- Place bins on shelves.



GO BACK AND ENSURE ALL HARDWARE IS TIGHT
Your installation is now complete.